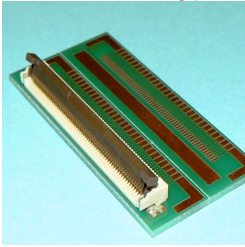


10085901-6015ELF - FPC/FFC
 : VHC Series, 60 Pos, Lower
 Side Contact, Side Entry
 Surface Mount ZIF Connector,
 0.5 mm (0.02 in.), Lead Free
 Type



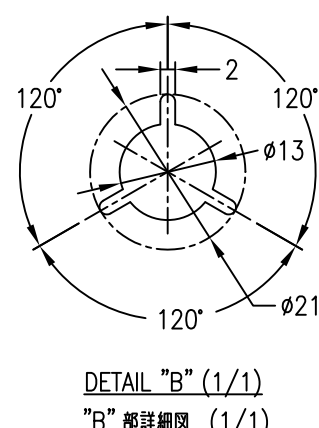
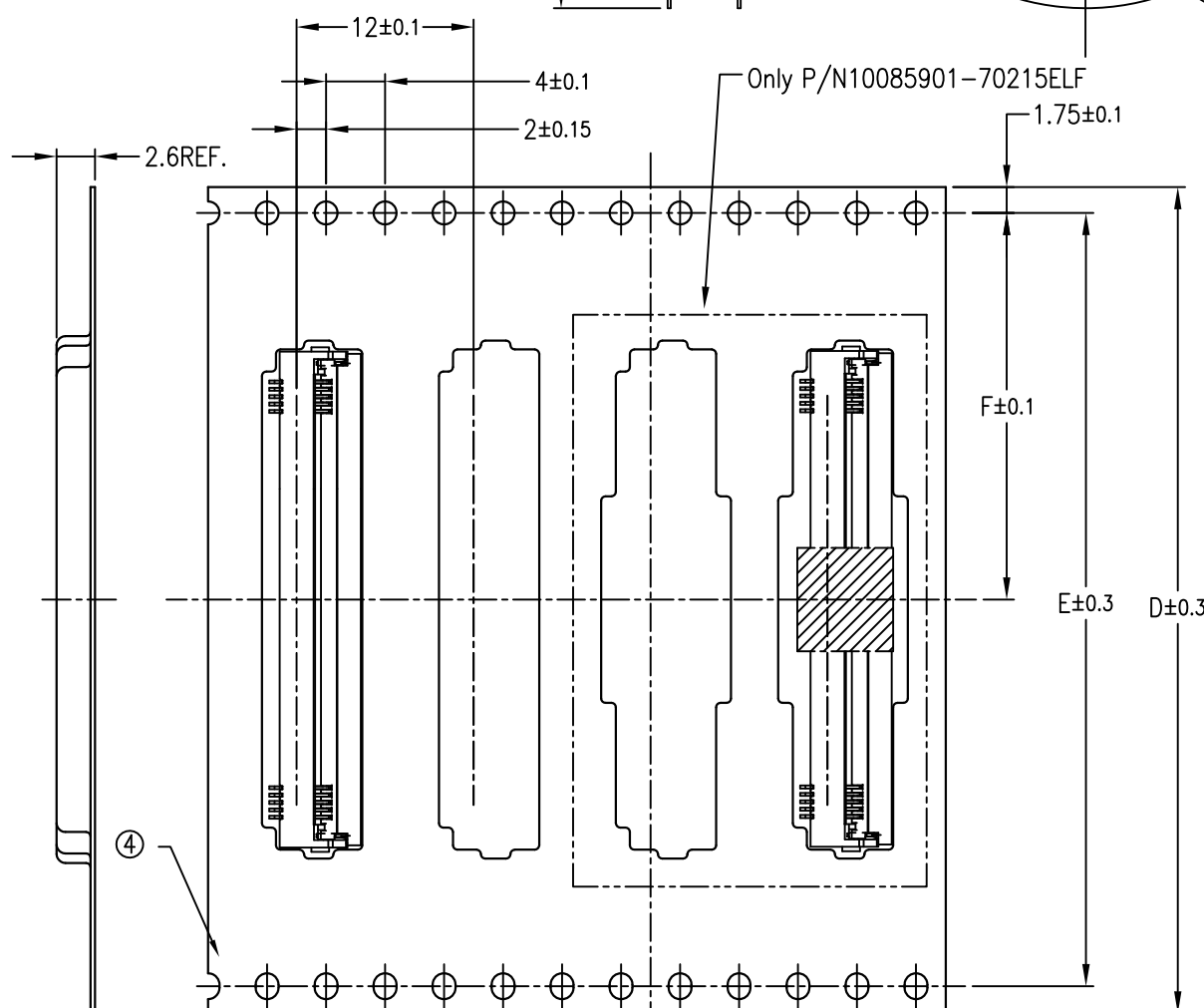
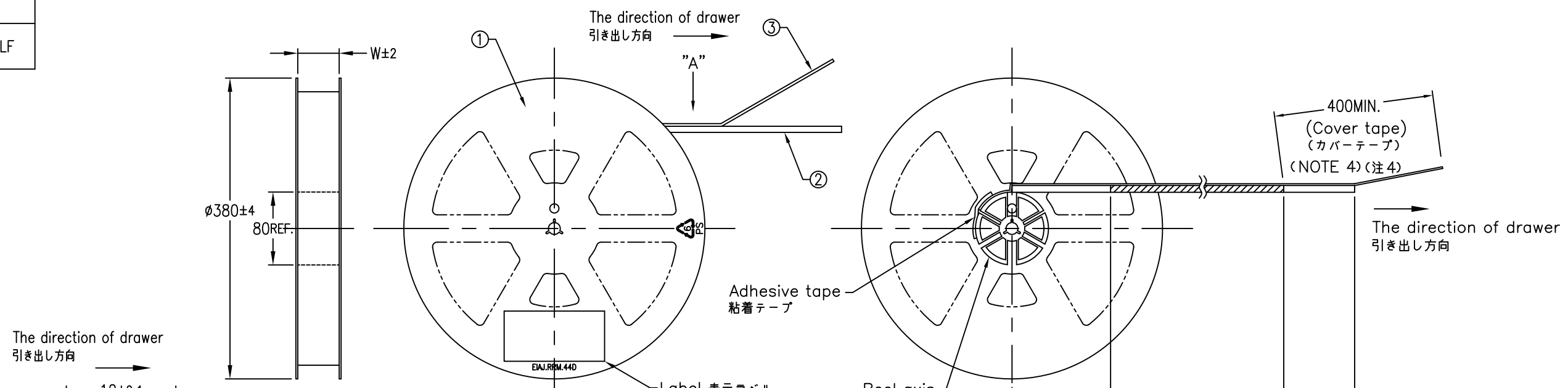
www.fci.com

Specifications

General	
Cable Lock	No
Contact location	Lower
Number of contacts	60
Orientation	Right Angle
Product Series	VHC
Electrical	
Withstanding Voltage	250V AC for 1 minute
Current rating	0.5A AC/DC
Resistance (Contact)	50 milli ohms max.
Resistance (Insulation)	50 M-ohms min.
Voltage rating	50V AC/DC
Mechanical	
Durability (Mating cycles)	20 Cycles
Physical	
Material (Contact)	Phosphor Bronze, Gold Flash Plated
Material (Housing)	Glass Reinforced LCP, UL94 V-0
Material (Slider)	Glass Reinforced PPS, UL94 V-0
Temperature (Operating - range)	-55°C to +85°C
Approvals / Certifications	
Damp Heat per JIS C 0022	Difference from initial value 20 milli ohms max. Insulation Resistance 50 M-ohms min.
Salt Spray per JIS C 0023	Difference from initial value 20 milli ohms max.
Temperature Cycling per JIS C 0025	Difference from initial value 20 milli ohms max.
Vibration per JIS C 0040	No discontinuity > 1 μ second
Other Features	
Packaging (Type)	Embossed Tape on Reel

PRODUCT NO.

10085901-****5E*LF



<P/N composition> <P/N 構成>
10085901-** * 1 5 E * LF

- Lead Free
- Blank: Standard material
- H: Halogen free material
- Packaging form (E : Plastic reel·Embossing tape package)
- Embossing tape package 5: 12mm PITCH
- Plating spec / Contact style 1: Au plating / Single contact point
- D: Au plating / Double contact point
- Blank: Without cable lock
- 1: With cable lock
- 2: Without cable lock / With picku-up tape
- No of position
- Series name

PARTS TABLE 部品表

No.	Part name 部品名	Material 材質	QTY.	Note 備考
①	The reel for packaging 梱包用リール	Polystyrene ポリスチレン	1	Color / Window of the reel: option 色 / リール窓: 任意 Electrification prevention processing 帯電防止処理品
②	Emboss tape エンボステープ	PET	1	Electrification prevention processing 帯電防止処理品
③	Cover tape カバーテープ	Polyester ポリエステル	1	
④	Connector コネクタ	See sheet 2	3000	

Part No. 型番	DIM "D" D寸法	DIM "E" E寸法	DIM "F" F寸法	DIM "W" W寸法
10085901-70*15ELF	56	52.4	26.2	57.5
↑ 10085901-60*15E*LF				
10085901-50*15E*LF	44	40.4	20.2	45.5
↑ 10085901-35*15E*LF				

VIEW "A"(1:1)
矢視 "A" (1:1)

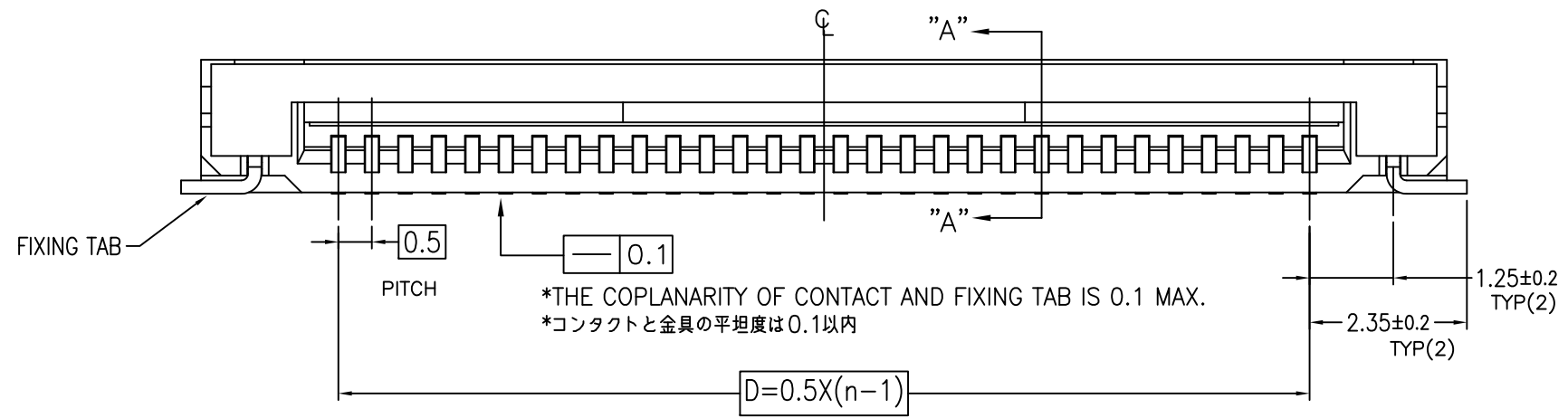
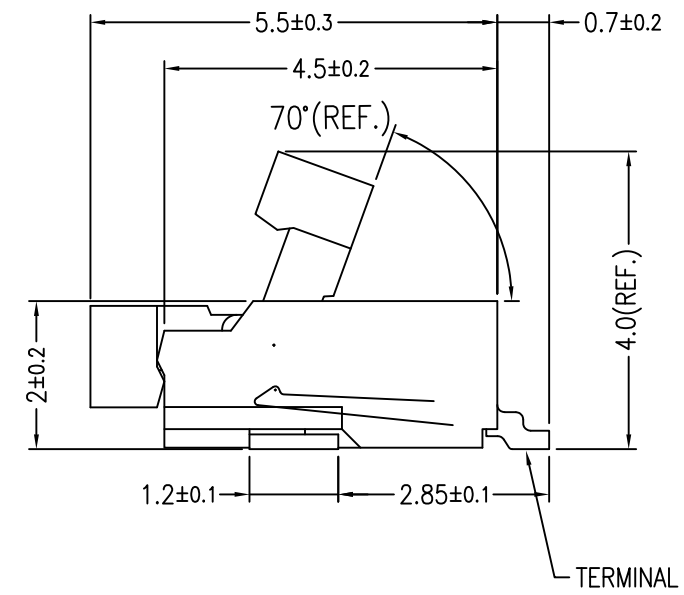
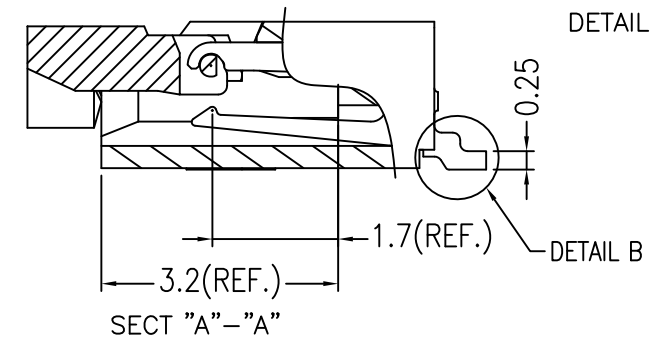
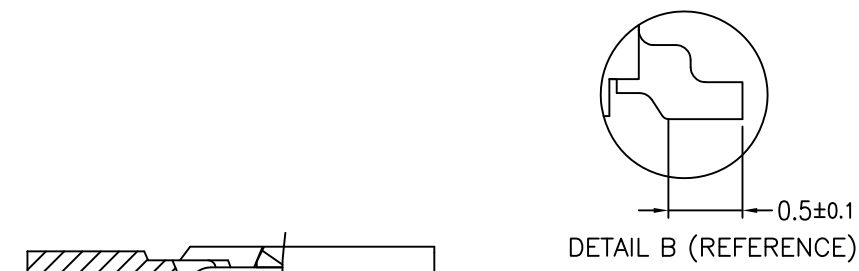
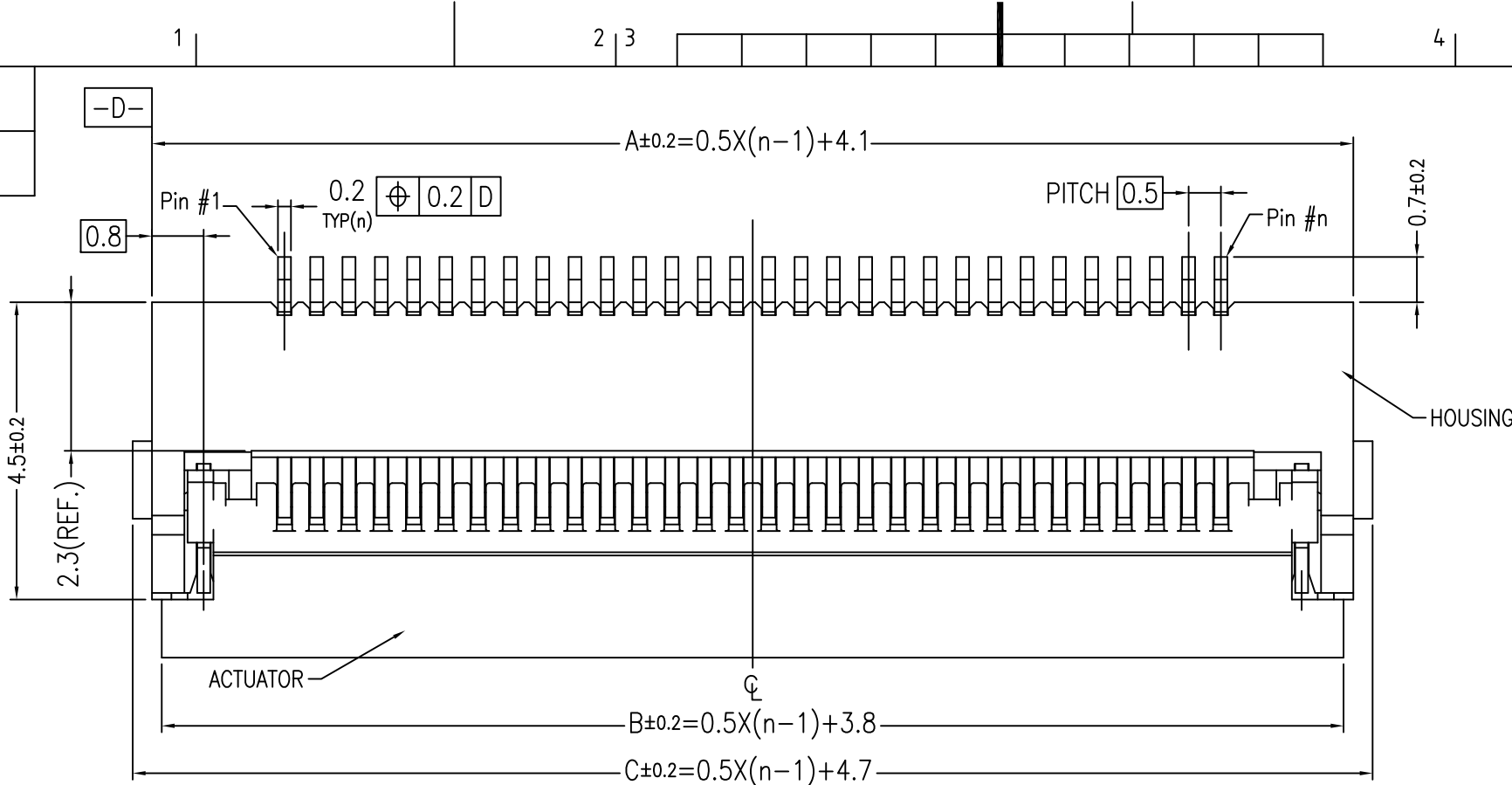
NOTE
1. This article carries out the emboss tape package of the P/N10085901 series connector.
2. The shape and dimension of this article are based on JIS C 0806.
(Taping of electronic parts (Surface mounted device))
3. The color and window of a plastic reel are optional.

注記
1. 本品は P/N10085901シリーズをエンボステープ梱包したものである。
2. 本品の形状及び寸法規定は JIS C 0806 (電子部品のテーピング (表面実装部品)) に準拠する。
3. 本品の色及びリール窓は任意とする。

mat'l. code ---		surface ISO 1302 ✓		tolerance ISO 406 ISO 1101		projection MM		product family 59KF FLEX 0.5		CODE JP	
ltr	description	ecn no	dr	date	tolerances unless otherwise specified		MM	title ASSEMBLY			
A	RELEASED	J08-0278	Y.K	2008-6-27	angles	0.X ±0.3		0.5mm PITCH CONNECTOR FOR FPC			
B	REVISED	J09-0402	Y.K	2009-12-2	linear	0.XX ±0.3	scale N/A	VHC Series			
C	REVISED	J10-0079	Y.K	2010-4-5	0°±3'	0.XXX ±0.3		sheet 1 of 8 size			
D	REVISED	J11-0161	Y.K	2011-7-25	dr	Y.KAMEDA 2012-2-20	FCI	dwg no		10085901	
E	REVISED	J11-0241	Y.K	2011-10-18	enrg	Y.KAMEDA 2012-2-20		sheet		A3	
F	REVISED	ELXJ-010325	Y.K	2012-2-20	chr	LAI,TIAN-POH 2012-2-20		type		Product-Customer Drw	
sheet index	revision sheet	F	F	F	F	F	F	F	F	F	Rev. F

PRODUCT NO.

10085901-***1*LF



*THE COPLANARITY OF CONTACT AND FIXING TAB IS 0.1 MAX.
*コンタクトと金具の平坦度は0.1以内

P/N	ACTUATOR COLOR	REMARK
-***1LF	NATURAL (BROWN)	STANDARD
-***1HLF	BLACK	HALOGEN FREE (less than 900ppm)

10085901-501HLF	28.6	28.3	29.2	24.5	30.3
10085901-601HLF	33.6	33.3	34.2	29.5	35.3
10085901-601LF	33.6	33.3	34.2	29.5	35.3
P/N	A	B	C	D	E

NOTE
1.MATERIAL
1)HOUSING:THERMOPLASTIC RESIN,UL94V-0, NATURAL
2)ACTUATOR:THERMOPLASTIC RESIN,UL94V-0, ~~BROWN~~
3)CONTACT:COPPER ALLOY (t=0.20)
4)FIXING TAB: COPPER ALLOY (t=0.20)
2.FINISH
1)CONTACT: ALL OVER Ni,Au FLASH.
2)FIXING TAB: ALL OVER Ni, Sn PLATING 1.5~3.5μm
3.CO-PLANARITY: 0.1 MAX.
5.RoHS
THIS PRODUCT MEETS EUROPEAN UNION DIRECTIVES AND OTHER COUNTRY REGULATIONS AS DESCRIBED IN GS-22-008.

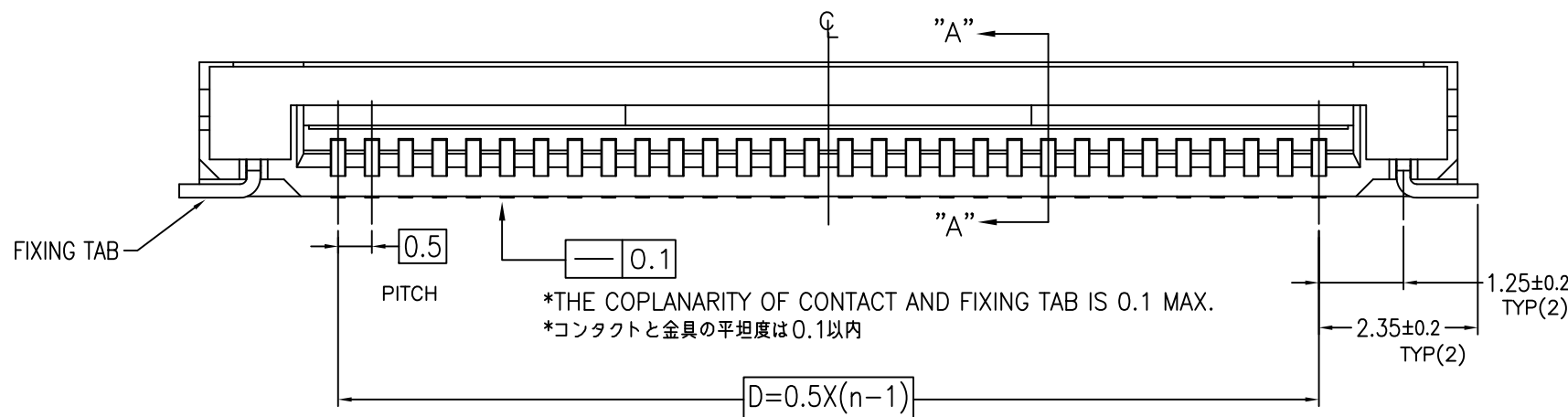
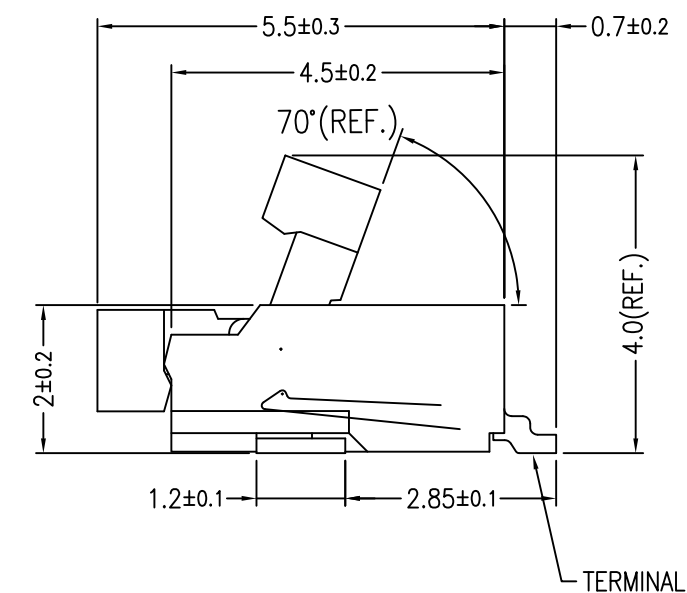
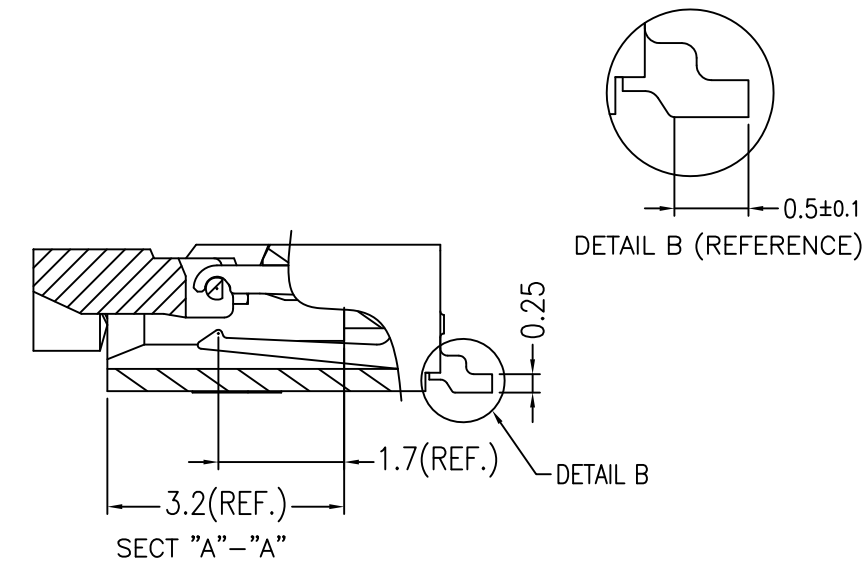
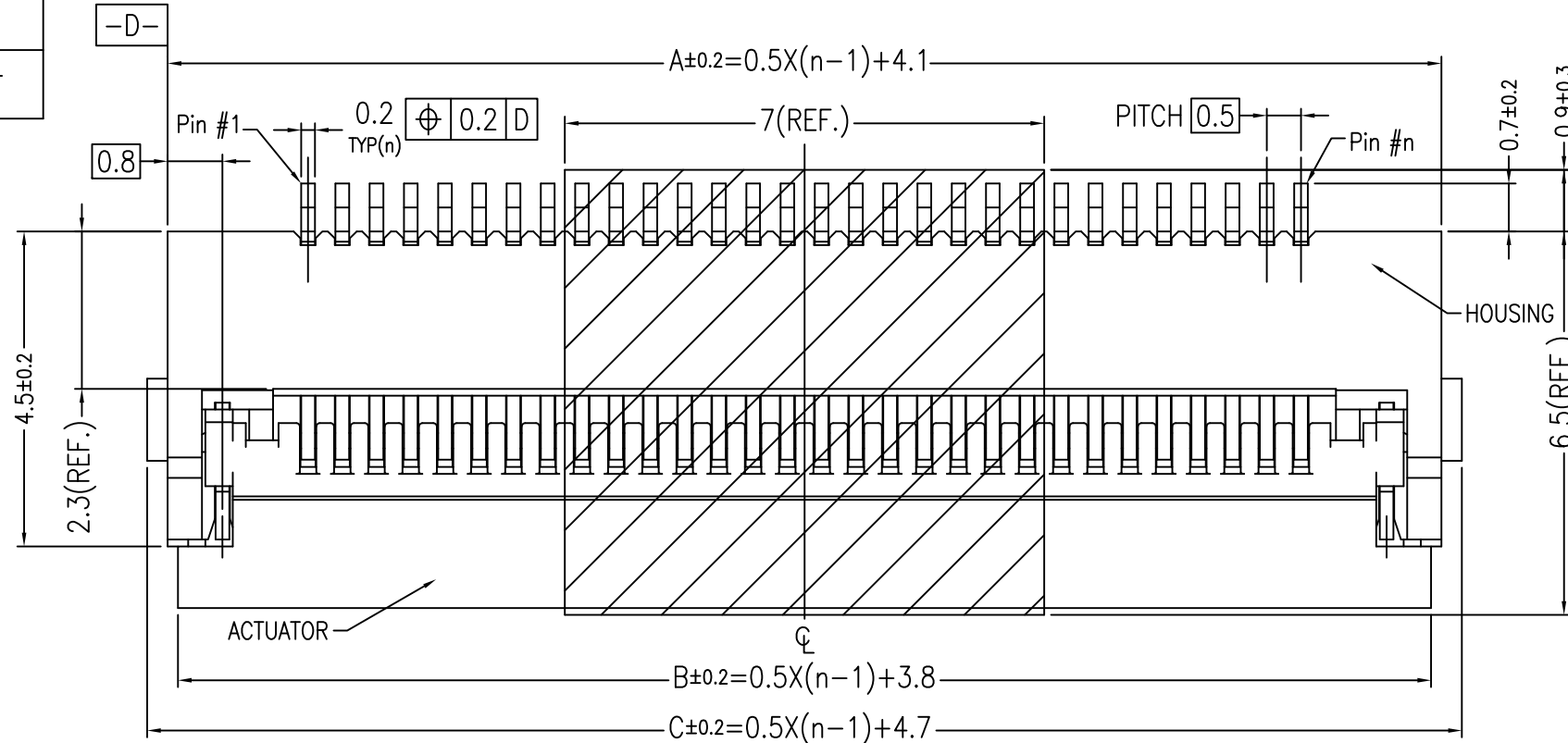
注記
1.材料
1)ハウジング:耐熱性樹脂,UL94V-0, ナチュラル
2)アクチュエータ:耐熱性樹脂,UL94V-0, ナチュラル(茶色)
3)端子:銅合金 (t=0.20)
4)固定金具:銅合金 (t=0.20)
2.めっき
1)端子: Ni下地付き、Auフラッシュ
2)固定金具: Ni下地付き、錫めっき 1.5~3.5μm
3.コプラナリティ: 0.1 MAX.
5.RoHS
本製品は、GS-22-008に記載されたヨーロッパ連合指令と他国の規制に適合しています。

ltr	description	ecn no	dr	date	surface	tolerance	projection
A	RELEASED	J08-0278	Y.K	2008-6-27	ISO 1302	ISO 406 ISO 1101	MM
B	REVISED	J09-0402	Y.K	2009-12-2	tolerances unless otherwise specified	0.X ±0.2	scale 10:1
C	REVISED	J10-0079	Y.K	2010-4-5	angles	0.XX ±0.2	
D	ONLY REV. UP	J11-0161	Y.K	2011-7-25	0°±2'	0.XXX ±0.2	
E	ADD NEW P/N	J11-0241	Y.K	2011-10-18	dr	Y.KAMEDA 2012-2-20	
F	ONLY REV. UP	ELXJ-010325	Y.K	2012-2-20	enr	Y.KAMEDA 2012-2-20	
					chr	LAI,TIAN-POH 2012-2-20	
					appd	M.KAJIURA 2012-2-20	
sheet index	revision sheet						

product family	59KF FLEX 0.5	CODE	JP
title	ASSEMBLY 0.5mm PITCH CONNECTOR FOR FPC VHC Series		
dwg no	10085901	sheet 2 of 8	size A3
type	Product-Customer Drw		
Rev.	F		

PRODUCT NO.

10085901-7021LF



NOTE

1. MATERIAL
- 1) HOUSING: THERMOPLASTIC RESIN, UL94V-0, NATURAL
 - 2) ACTUATOR: THERMOPLASTIC RESIN, UL94V-0, BROWN
 - 3) CONTACT: COPPER ALLOY (t=0.20)
 - 4) FIXING TAB: COPPER ALLOY (t=0.20)
 - 5) COVER TAPE: POLYIMIDE TAPE (t=0.075)
2. FINISH
- 1) CONTACT: ALL OVER Ni, Au FLASH.
 - 2) FIXING TAB: ALL OVER Ni, Sn PLATING 1.5~3.5μm
3. CO-PLANARITY: 0.1 MAX.
5. RoHS
- THIS PRODUCT MEETS EUROPEAN UNION DIRECTIVES AND OTHER COUNTRY REGULATIONS AS DESCRIBED IN GS-22-008.

注記

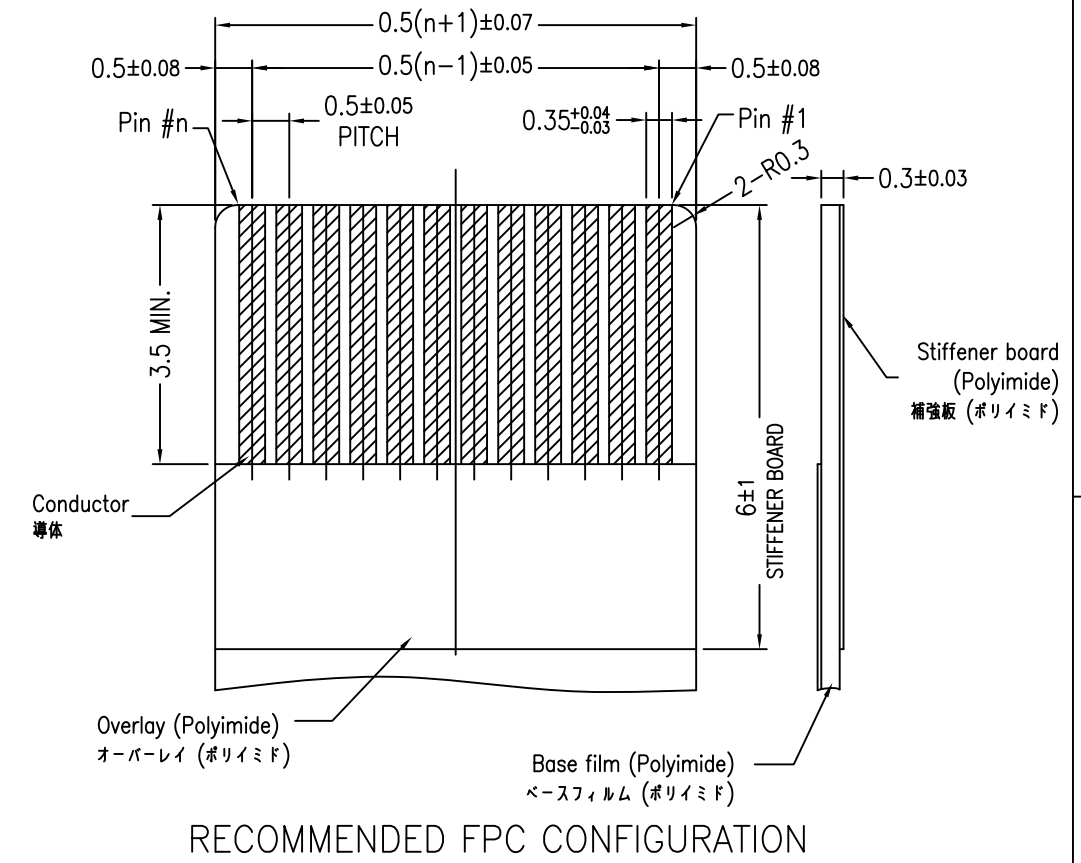
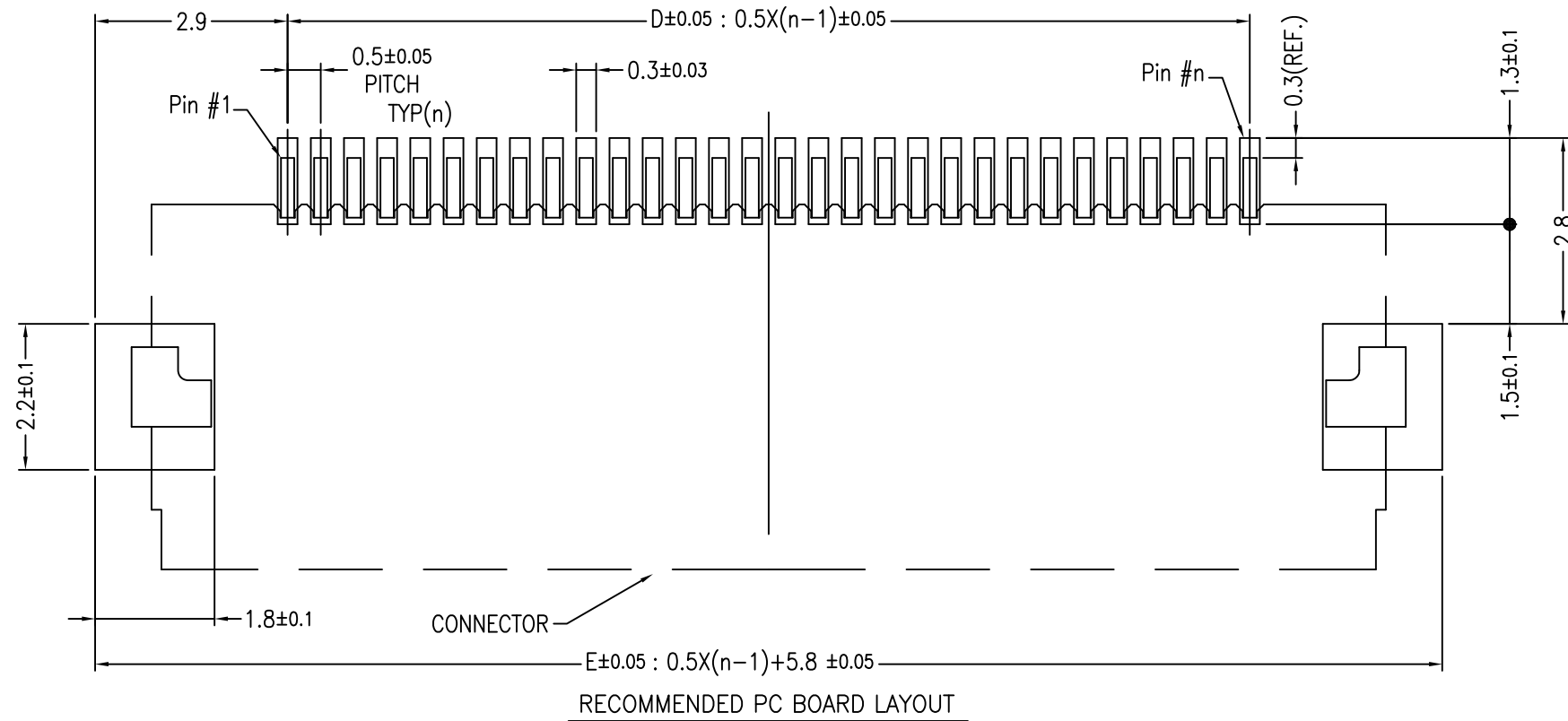
1. 材料
- 1) ハウジング: 耐熱性樹脂, UL94V-0, ナチュラル
 - 2) アクチュエータ: 耐熱性樹脂, UL94V-0, ナチュラル (茶色)
 - 3) 端子: 銅合金 (t=0.20)
 - 4) 固定金具: 銅合金 (t=0.20)
 - 5) 吸着テープ: ポリイミドテープ (t=0.075)
2. めっき
- 1) 端子: Ni下地付き, Auフラッシュ
 - 2) 固定金具: Ni下地付き, 錫めっき 1.5~3.5μm
3. コプラナリティ: 0.1 MAX.
5. RoHS
- 本製品は、GS-22-008に記載されたヨーロッパ連合指令と他国の規制に適合しています。

10085901-7021LF	38.6	38.3	39.2	34.5	40.3
P/N	A	B	C	D	E

mat'l. code		surface		tolerance		projection		product family		CODE	
---		ISO 1302		ISO 406		MM		59KF FLEX 0.5		JP	
ltr		description		ecn no		dr		date		title	
A	RELEASED	J08-0278	Y.K	2008-6-27	tolerances unless otherwise specified		0.X ±0.2		ASSEMBLY		
B	REVISED	J09-0402	Y.K	2009-12-2	angles	0.XX ±0.2		0.5mm PITCH CONNECTOR FOR FPC VHC Series			
C	REVISED	J10-0079	Y.K	2010-4-5	0°±2'	0.XXX ±0.2		scale 10:1			
D	ONLY REV. UP	J11-0161	Y.K	2011-7-25	dr	Y.KAMEDA	2012-2-20	dwg no		sheet 3 of 8 size	
E	ONLY REV. UP	J11-0241	Y.K	2011-10-18	enrg	Y.KAMEDA	2012-2-20	10085901		A3	
F	REVISED	ELXJ-010325	Y.K	2012-2-20	chr	LAI, TIAN-POH	2012-2-20	type		Product-Customer Drw	
sheet index		revision sheet								Rev. F	

PRODUCT NO.

10085901-***1*LF



RECOMMENDED FPC CONFIGURATION

NOTE

- 1.THICKNESS OF A METAL MASK: 0.1mm
- 2.FPC / FFC
ADHESIVE METHOD OF SUPPORTING TAPE SHALL BE HEAT CRIMPING METHOD AND THERMOSETTING ADHESIVE MATERIAL SHALL BE USED.
- 3.OTHER SPECIFICATIONS
PRODUCT SPECIFICATION : GS-12-541
APPLICATION SPECIFICATION : GS-20-105
PACKAGING SPECIFICATION : GS-14-1264

注記

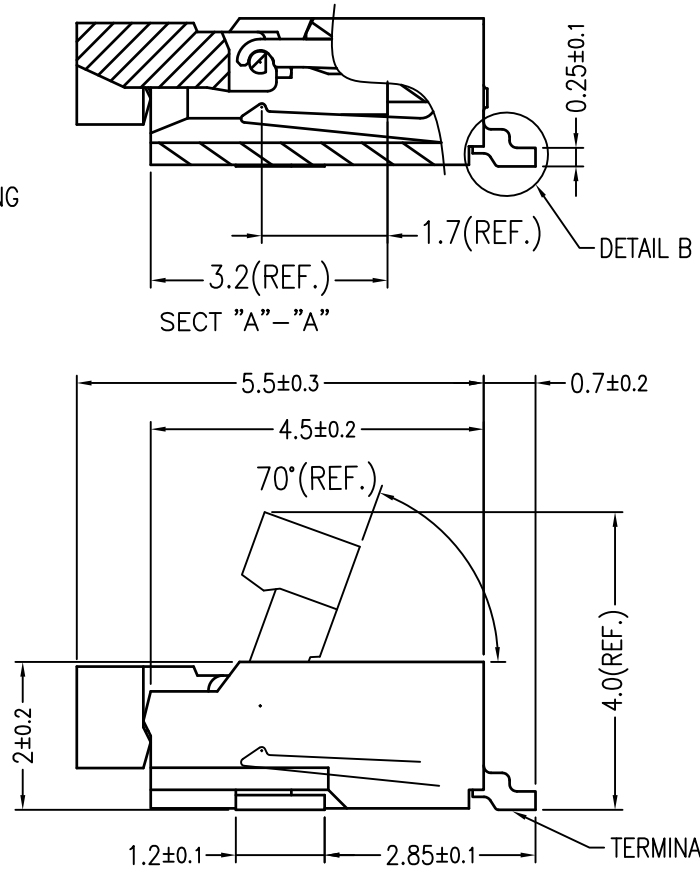
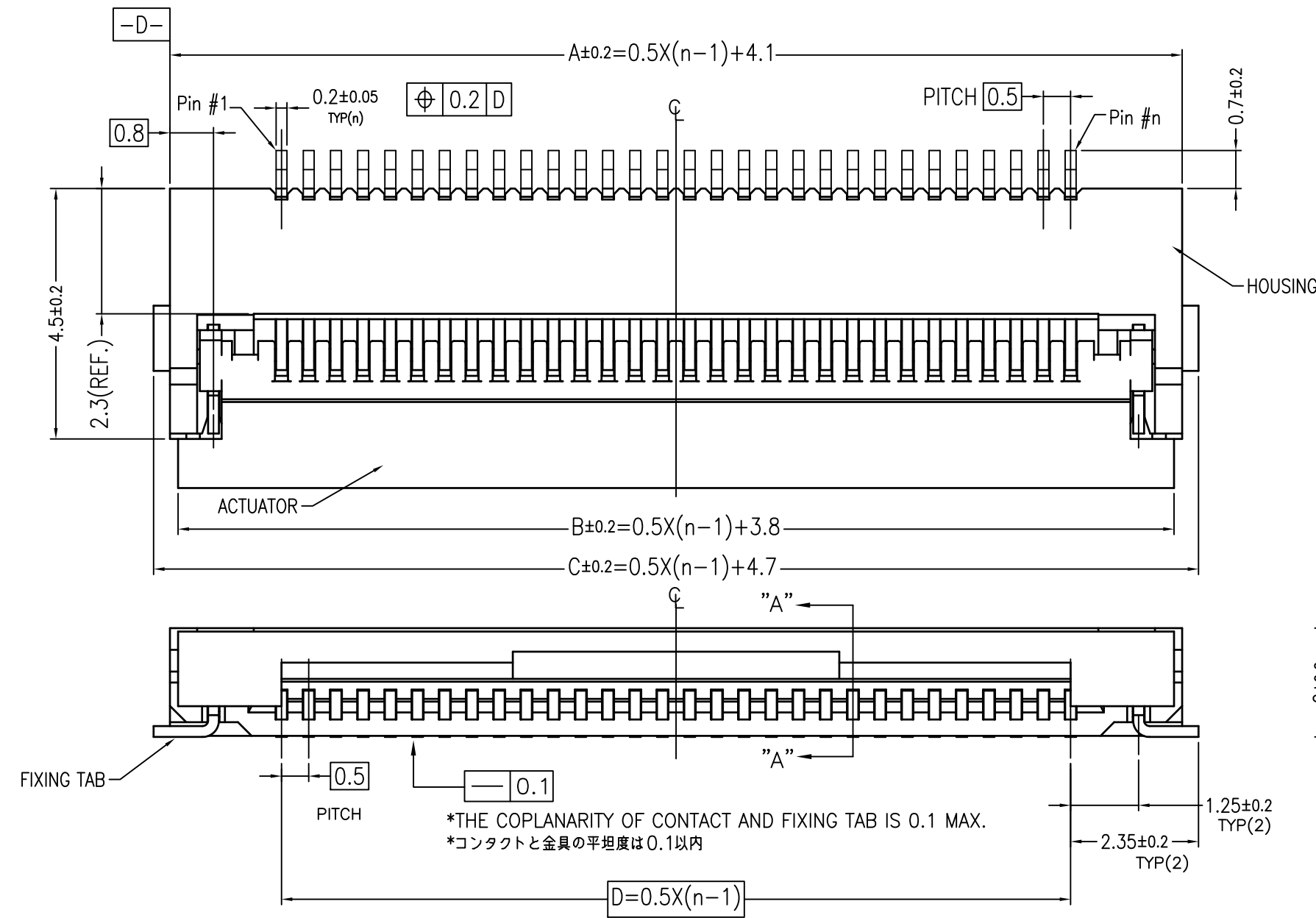
- 1.メタルマスク厚 : 0.1mm
- 2.FPC / FFC
FPCの補強板接着剤には熱硬化接着剤を使用し、接着方式は熱圧着とする。
- 3.その他
製品規格 : GS-12-541
取り扱い説明書 : GS-20-105
梱包規格 : GS-14-1264

10085901-7021LF	38.6	38.3	39.2	34.5	40.3
10085901-601HLF	33.6	33.3	34.2	29.5	35.3
10085901-601LF	33.6	33.3	34.2	29.5	35.3
10085901-501HLF	28.6	28.3	29.2	24.5	30.3
P/N	A	B	C	D	E

mat'l. code ---				surface ISO 1302		tolerance ISO 406 ISO 1101		projection MM		product family 59KF FLEX 0.5		CODE JP	
ltr				description		ecn no		dr		date		title ASSEMBLY 0.5mm PITCH CONNECTOR FOR FPC VHC Series	
B				RELEASED		J09-0402		Y.K		2009-12-2		scale 10:1	
C				REVISED		J10-0079		Y.K		2010-4-5		dwg no 10085901	
D				ONLY REV. UP		J11-0161		Y.K		2011-7-25		sheet 4 of 8 size A3	
E				ADD NEW P/N		J11-0241		Y.K		2011-10-18		type Product-Customer Drw	
F				REVISED		ELXJ-010325		Y.K		2012-2-20		Rev. F	
sheet index				revision sheet									

PRODUCT NO.

10085901-**11*LF



NOTE
 1.MATERIAL
 1)HOUSING:THERMOPLASTIC RESIN,UL94V-0, NATURAL
 2)ACTUATOR:THERMOPLASTIC RESIN,UL94V-0, BROWN
 3)CONTACT:COPPER ALLOY (t=0.20)
 4)FIXING TAB: COPPER ALLOY (t=0.20)
 2.FINISH
 1)CONTACT: ALL OVER Ni,Au FLASH.
 2)FIXING TAB: ALL OVER Ni , Sn PLATING 1.5~3.5μm
 3.CO-PLANARITY: 0.1 MAX.
 5.RoHS
 THIS PRODUCT MEETS EUROPEAN UNION DIRECTIVES AND OTHER COUNTRY REGULATIONSAS DESCRIBED IN GS-22-008

*THE COPLANARITY OF CONTACT AND FIXING TAB IS 0.1 MAX.
 *コンタクトと金具の平坦度は0.1以内

P/N	ACTUATOR COLOR	REMARK
-**11LF	NATURAL (BROWN)	STANDARD
-**11HLF	BLACK	HALOGEN FREE (less than 900ppm)

10085901-7011LF	38.6	38.3	39.2	34.5	40.3
10085901-6011LF	33.6	33.3	34.2	29.5	35.3
10085901-5011LF	28.6	28.3	29.2	24.5	30.3
10085901-5011HLF	28.6	28.3	29.2	24.5	30.3
10085901-3511LF	21.1	20.8	21.7	17.0	22.8
P/N	A	B	C	D	E

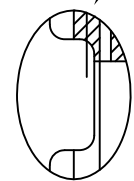
mat'l. code		surface		tolerance		projection		product family		CODE	
---		ISO 1302		ISO 406		MM		59KF FLEX 0.5		JP	
ltr		description		ecn no		dr		date		tolerances unless otherwise specified	
B	RELEASED	J09-0402	Y.K	2009-12-2	angles	linear	0.X	±0.2	title ASSEMBLY		
C	REVISED	J10-0079	Y.K	2010-4-5	0°±2'		0.XX	±0.2	0.5mm PITCH CONNECTOR FOR FPC VHC Series		
D	REVISED	J11-0161	Y.K	2011-7-25			0.XXX	±0.2	scale 10:1		
E	ADD NEW P/N	J11-0241	Y.K	2011-10-18	dr	Y.KAMEDA	2012-2-20	dwg no sheet 5 of 8 size			
F	REVISED	ELXJ-010325	Y.K	2012-2-20	enr	Y.KAMEDA	2012-2-20	10085901		A3	
					chr	LAI,TIAN-POH	2012-2-20	type Product-Customer Drw			
					appd	M.KAJIURA	2012-2-20	Rev. F			
sheet index	revision sheet										

Copyright FCI
 FCIconnect.com

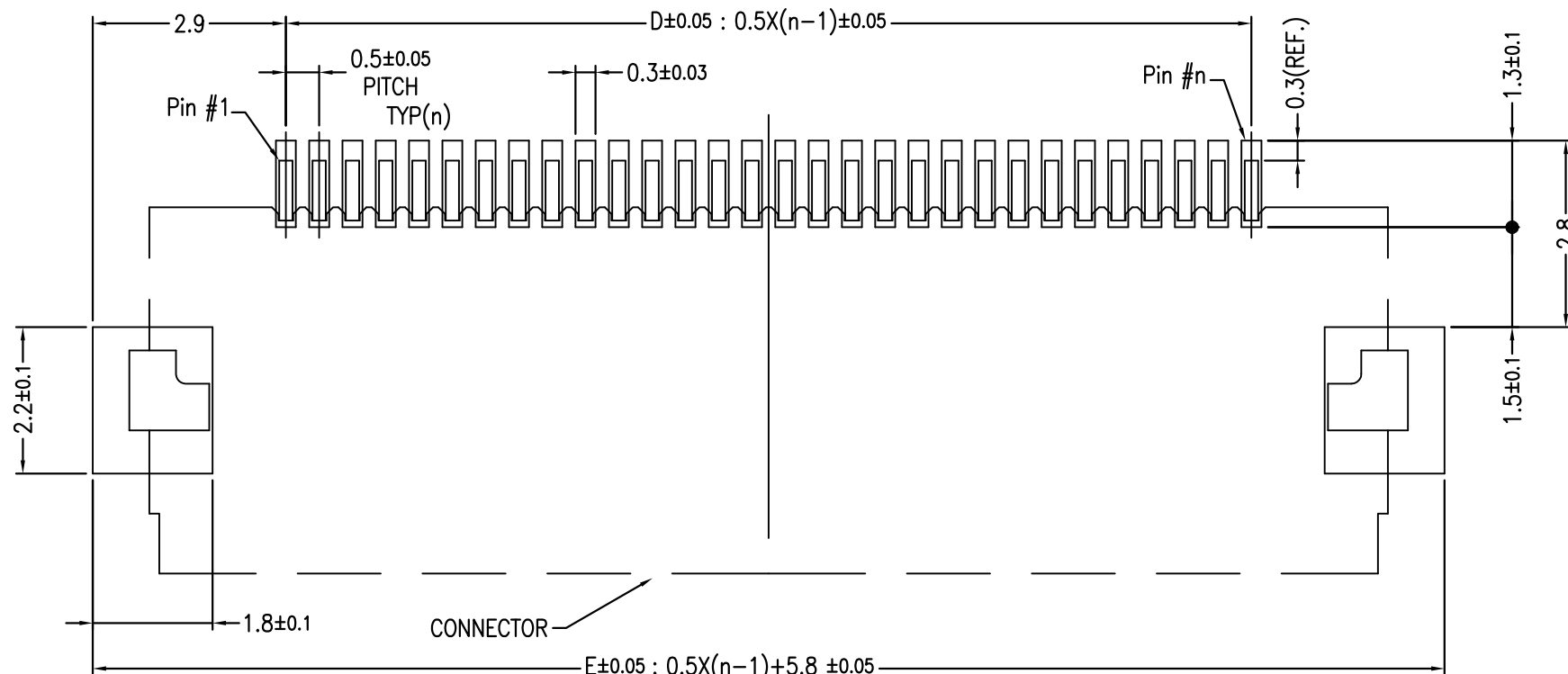
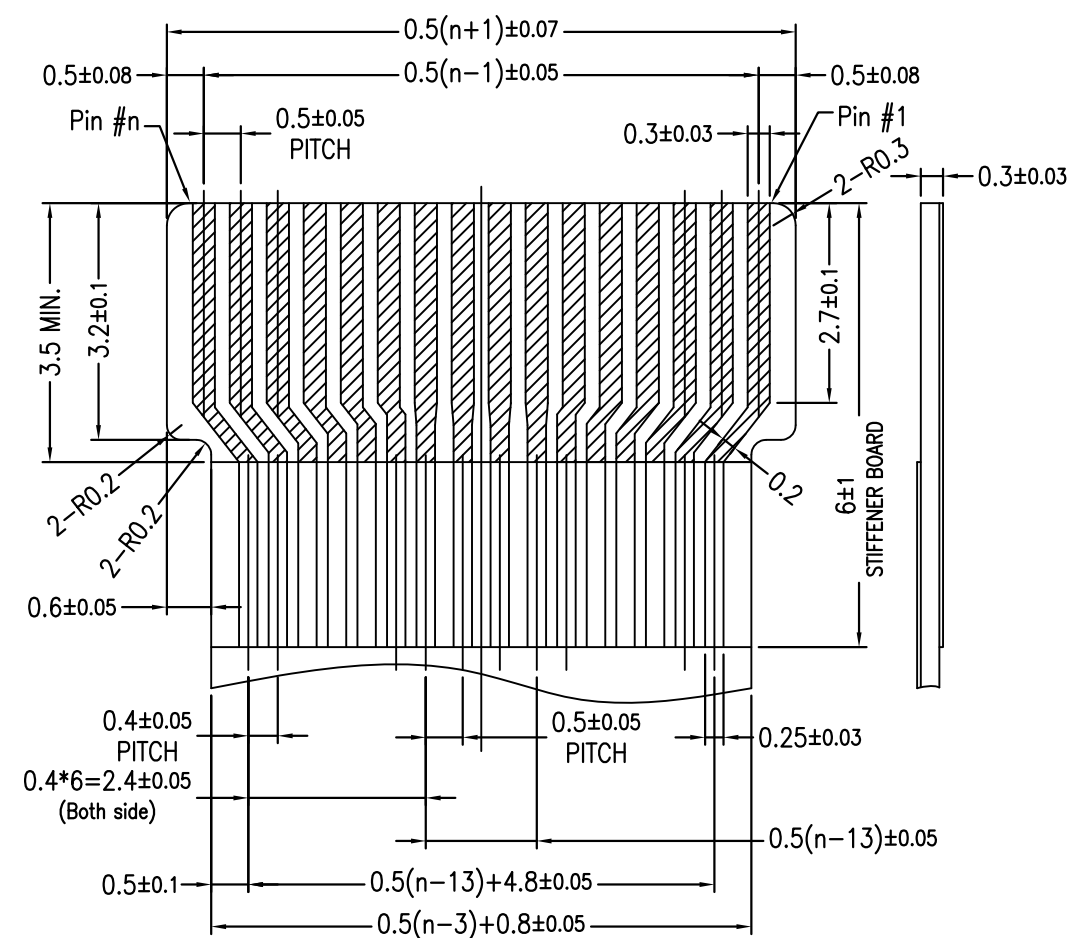
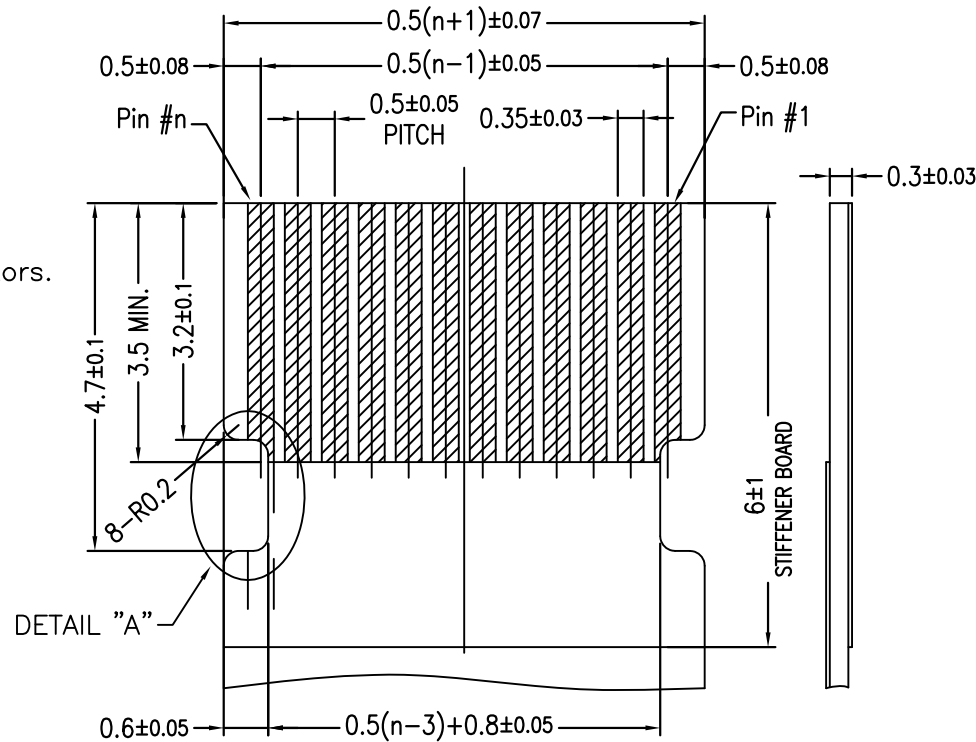
PRODUCT NO.

10085901-**11*LF

Cut through both sides conductors.



DETAIL "A"



10085901-7011LF	38.6	38.3	39.2	34.5	40.3
10085901-6011LF	33.6	33.3	34.2	29.5	35.3
10085901-5011LF	28.6	28.3	29.2	24.5	30.3
10085901-5011HLF	28.6	28.3	29.2	24.5	30.3
10085901-3511LF	21.1	20.8	21.7	17.0	22.8
P/N	A	B	C	D	E

NOTE

- THICKNESS OF A METAL MASK: 0.1mm
- FPC / FFC
ADHESIVE METHOD OF SUPPORTING TAPE SHALL BE HEAT CRIMPING METHOD AND THERMOSETTING ADHESIVE MATERIAL SHALL BE USED.
- ACCORDING TO THE KIND OF CABLE TO BE USED, SINCE OUTSIDE TWO CONDUCTORS CANNOT BE USED, THE LINE OF SIGNAL DECREASES.

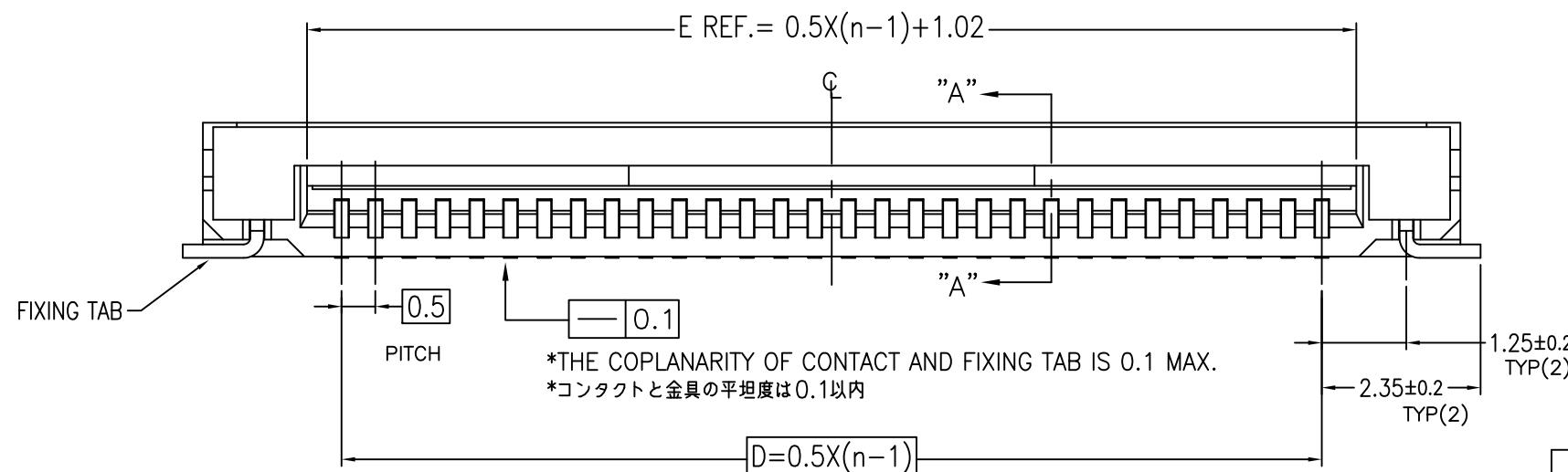
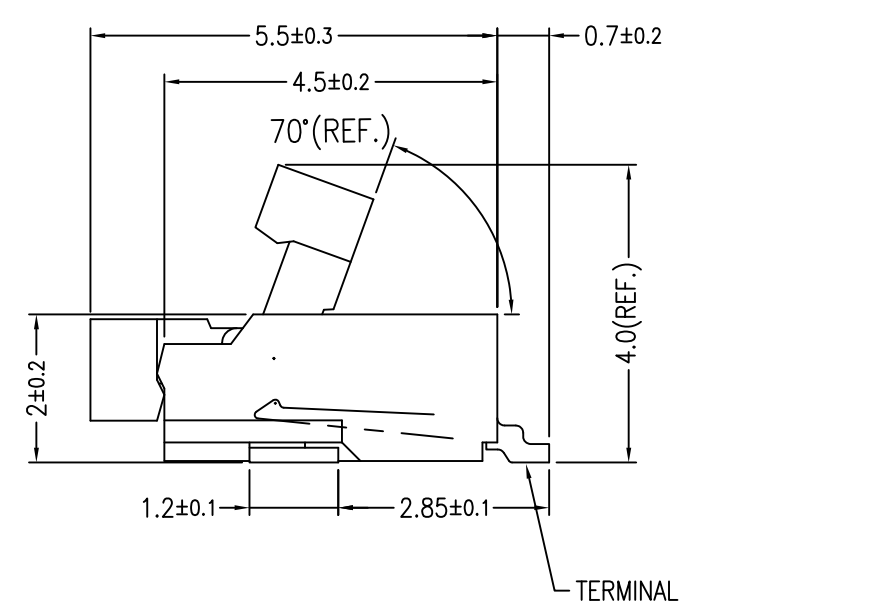
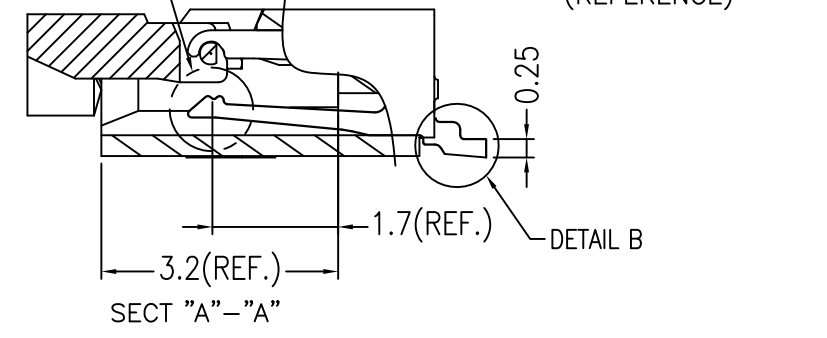
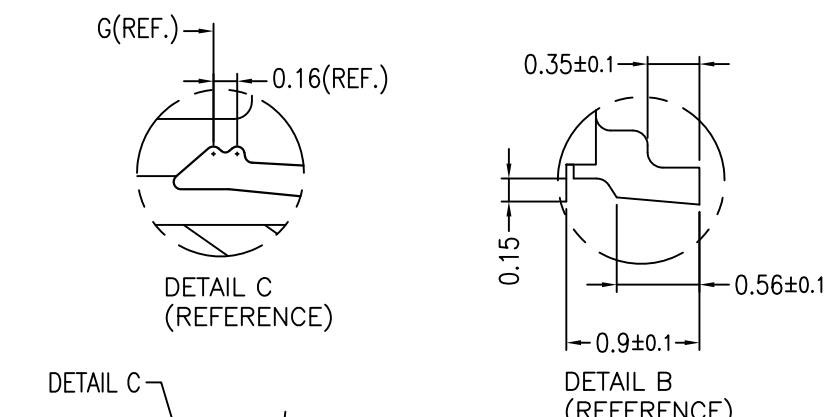
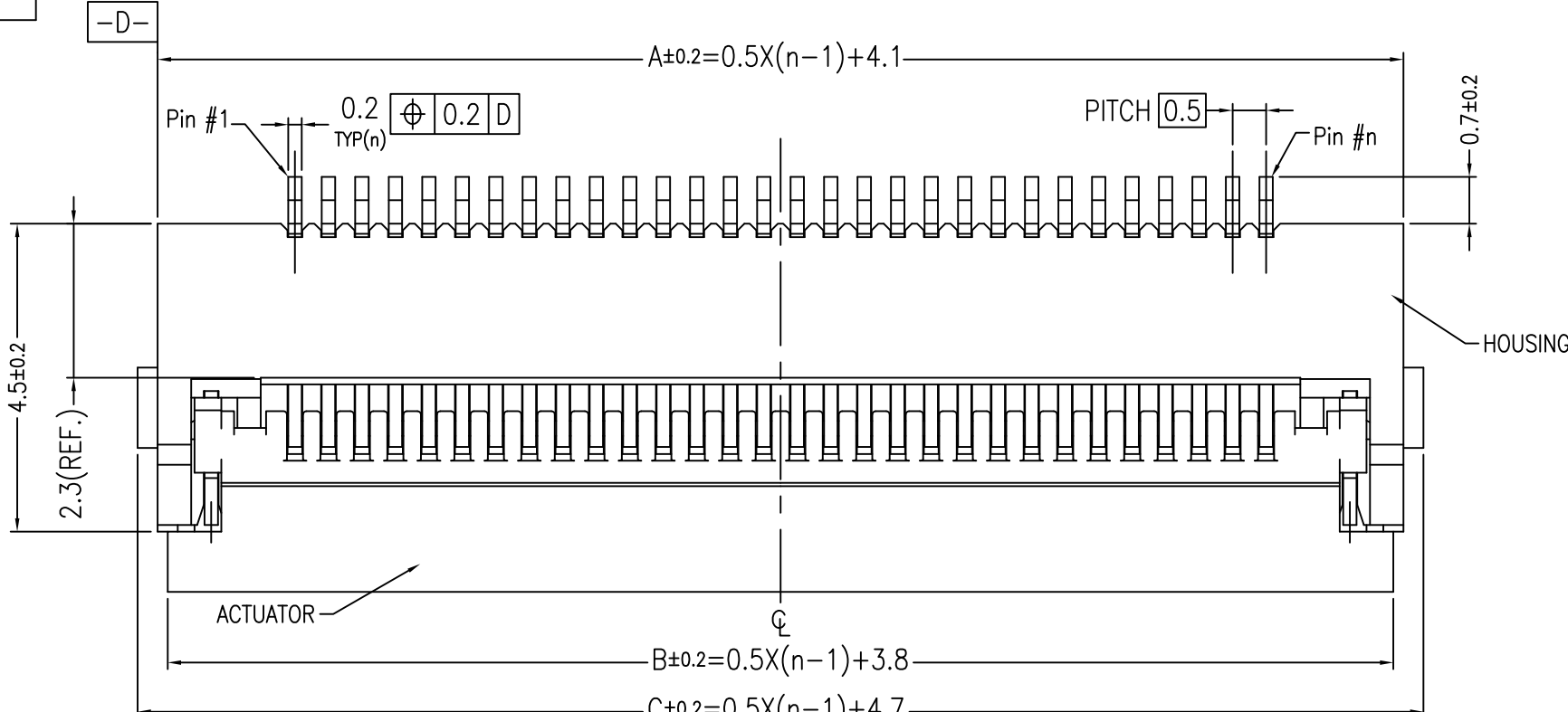
注記

- メタルマスク厚 : 0.1mm
- FPC / FFC
FPCの補強板接着剤には熱硬化接着剤を使用し、接着方式は熱圧着とする。
- 使用するケーブルの種類によっては、外側の2つの導体が使用不可能になるため信号ラインが減少します。

mat'l. code		surface		tolerance		projection		product family		CODE	
---		ISO 1302		ISO 406		MM		59KF FLEX 0.5		JP	
ltr		description		ecn no		dr		date		title	
B	RELEASED	J09-0402	Y.K	2009-12-2	tolerances unless otherwise specified		linear		ASSEMBLY		
C	REVISED	J10-0079	Y.K	2010-4-5	angles		0.X ±0.2		0.5mm PITCH CONNECTOR FOR FPC VHC Series		
D	REVISED	J11-0161	Y.K	2011-7-25	0° ±2'		0.XX ±0.2		scale 10:1		
E	ADD NEW P/N	J11-0241	Y.K	2011-10-18	dr		0.XXX ±0.2		dwg no		
F	REVISED	ELXJ-010325	Y.K	2012-2-20	engr		Y.KAMEDA 2012-2-20		sheet 6 of 8 size		
						chr		LAI,TIAN-POH 2012-2-20		10085901	
						appd		M.KAJIURA 2012-2-20		A3	
sheet index		revision sheet								type	
										Product-Customer Drw	
										Rev. F	

PRODUCT NO.

10085901-**DHLF



*THE COPLANARITY OF CONTACT AND FIXING TAB IS 0.1 MAX.
*コンタクトと金具の平坦度は0.1以内

NOTE
1.MATERIAL
1)HOUSING:THERMOPLASTIC RESIN,UL94V-0, NATURAL
2)ACTUATOR:THERMOPLASTIC RESIN,UL94V-0, BLACK
3)CONTACT:COPPER ALLOY (t=0.20)
4)FIXING TAB: COPPER ALLOY (t=0.20)
2.FINISH
1)CONTACT: ALL OVER Ni,Au FLASH.
2)FIXING TAB: ALL OVER Ni, Sn PLATING 1.5~3.5μm
3.CO-PLANARITY: 0.1 MAX.
4.RoHS
THIS PRODUCT MEETS EUROPEAN UNION DIRECTIVES AND OTHER COUNTRY REGULATIONS AS DESCRIBED IN GS-22-008.
5.HALOGEN FREE
Cl: Less than 900ppm
Br: Less than 900ppm
Cl + Br: Less than 1500ppm

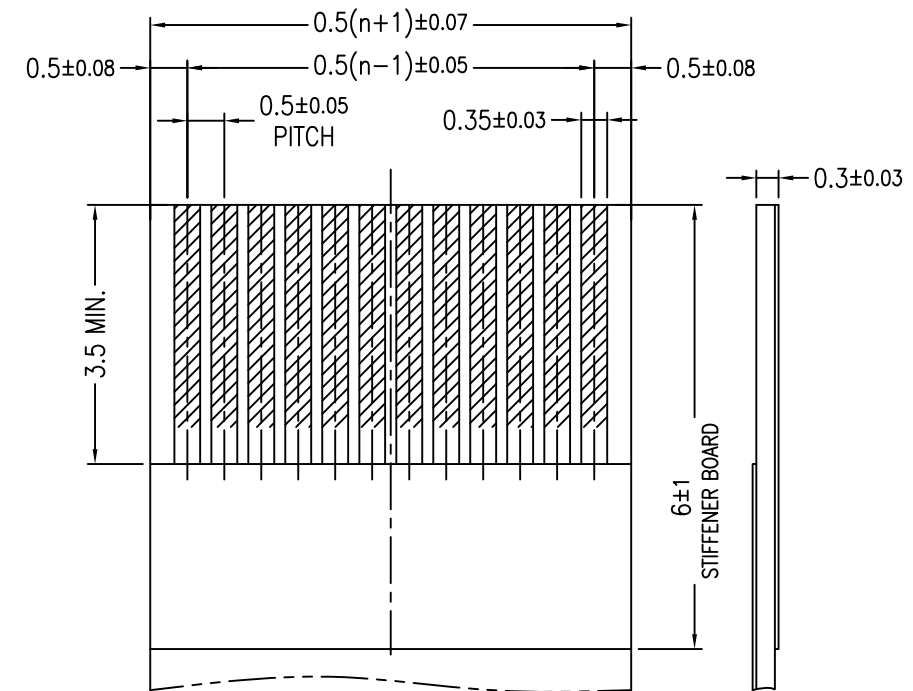
注記
1.材料
1)ハウジング:耐熱性樹脂,UL94V-0, ナチュラル
2)アクチュエータ:耐熱性樹脂,UL94V-0, 黒色
3)端子: 銅合金 (t=0.20)
4)固定金具: 銅合金 (t=0.20)
2.めっき
1)端子: Ni下地付き, Auフラッシュ
2)固定金具: Ni下地付き, 錫めっき 1.5~3.5μm
3.コプラナリティ: 0.1 MAX.
4.RoHS
本製品は、GS-22-008に記載されたヨーロッパ連合指令と他国の規制に適合しています。
5.ハロゲンフリー
本製品は、塩素含有量900ppm以下、臭素含有量900ppm以下、塩素+臭素含有量の総量1500ppm以下を含んでおります。

10085901-50DHLF	28.6	28.3	29.2	24.5	25.52	30.3
P/N	A	B	C	D	E	F

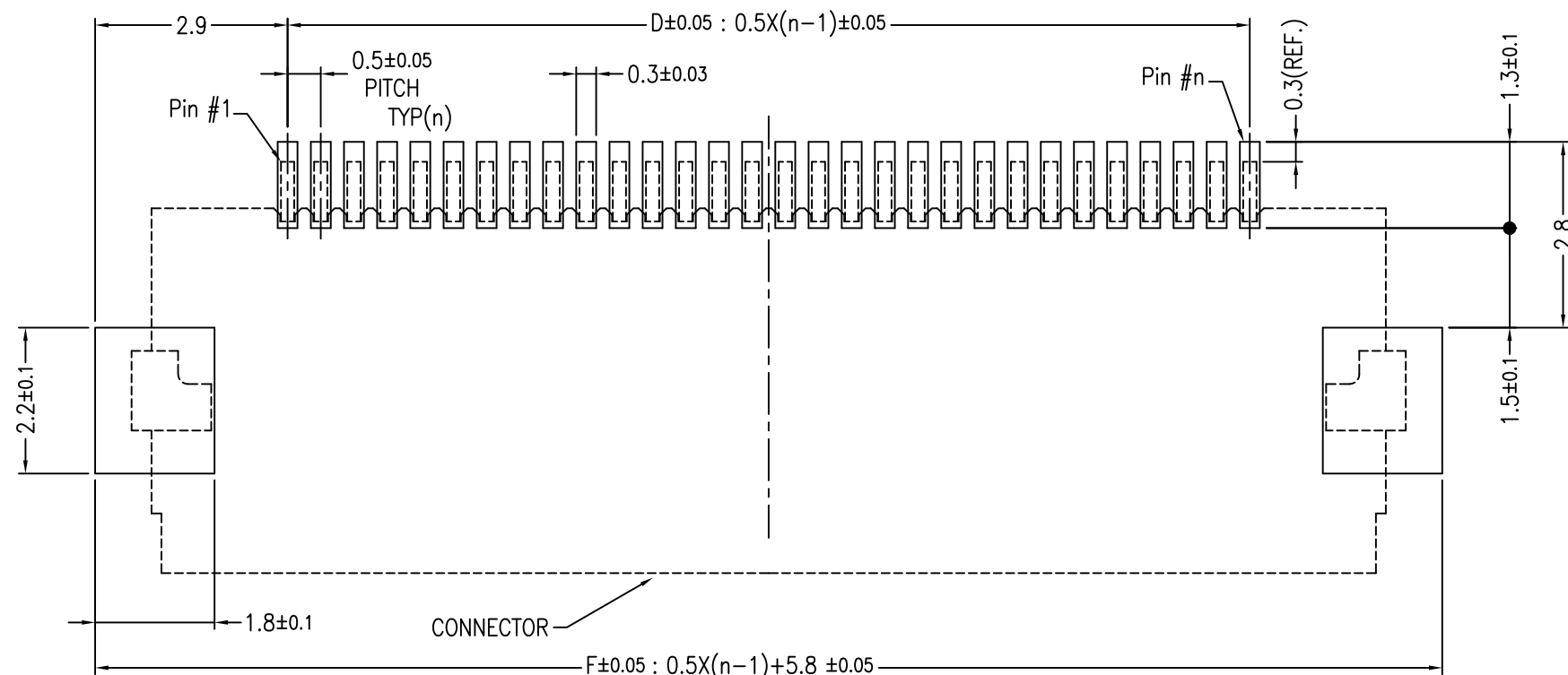
mat'l. code		surface		tolerance		projection		product family		CODE	
---		ISO 1302		ISO 406		MM		59KF FLEX 0.5		JP	
description		ecn no		dr		date		title		size	
RELEASED		ELXJ-010325		Y.K		2012-2-20		ASSEMBLY		A3	
angles		linear		0°±2'		0.X ±0.2		0.5mm PITCH CONNECTOR FOR FPC		VHC Series	
0°±2'		0.XX ±0.2		0.XXX ±0.2		scale 10:1		dwg no		sheet 7 of 8	
dr		Y.KAMEDA		2012-2-20		FCJ		10085901		Product-Customer Drw	
engr		Y.KAMEDA		2012-2-20				type		Rev.	
chr		LAI,TIAN-POH		2012-2-20						F	
appd		M.KAJIURA		2012-2-20							
sheet index		revision sheet									

PRODUCT NO.

10085901-**DHLF



RECOMMENDED FFC CONFIGURATION



RECOMMENDED PC BOARD LAYOUT

10085901-50DHLF	28.6	28.3	29.2	24.5	25.52	30.3
P/N	A	B	C	D	E	F

NOTE
1.THICKNESS OF A METAL MASK: 0.1mm
2.FPC / FFC

ADHESIVE METHOD OF SUPPORTING TAPE SHALL BE HEAT CRIMPING METHOD AND THERMOSETTING ADHESIVE MATERIAL SHALL BE USED.

注記
1.メタルマスク厚 : 0.1mm
2.FPC / FFC

FPCの補強板接着剤には熱硬化接着剤を使用し、接着方式は熱圧着とする。

mat'l. code		surface		tolerance		projection		product family		CODE	
---		ISO 1302		ISO 406		MM		59KF FLEX 0.5		JP	
ltr		description		ecn no		dr		date		title	
F		RELEASED		ELXJ-010325		Y.K		2012-2-20		ASSEMBLY	
										0.5mm PITCH CONNECTOR FOR FPC	
										VHC Series	
										dwg no	
										sheet 8 of 8	
										size	
										A3	
										type	
										Product-Customer Drw	
sheet index		revision sheet								Rev.	
										F	