

MPN: 150-SB85A

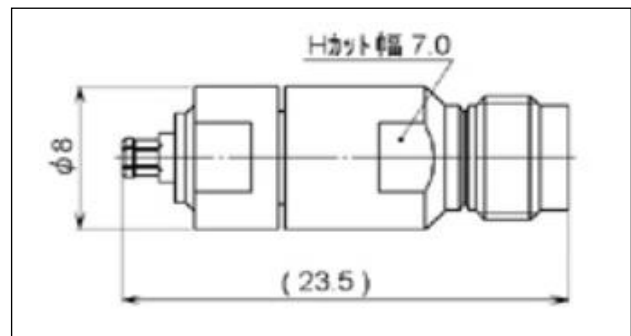
Image



Product: RF & Coaxial Adapters

Description: Conversion Adapter SMPM Jack to SMV Jack

Line Draw



Specification

Adapter Type A	Jack
Adapter Type B	Jack
Body Orientation	Straight
Contact Material	Beryllium Copper
Contact Plating	Gold
Gender A	Female
Gender B	Female
Impedance	50 Ω
Length	23.5mm
Operating Frequency	0 → 65GHz