

# FLIR IP™

## MICRO PT CAMERA



N233ZC / N233ZCP  
1.3MP Micro PT Dome IP Camera



N233ZD / N233ZDP  
2.1MP Micro PT Dome IP Camera

Available in 1.3MP/2.1MP configurations, the FLIR HD Micro PT IP cameras offer the most compact pan/ tilt viewing solution at outstanding value. With a miniature and discreet form factor at 2.2"/57mm height and 5.1"/130mm diameter, the Micro PT packs impressive performance with HD picture quality, Edge storage, 100°/s rotation speed, built-in microphone, plus rugged IK10 & IP66 vandal and weatherproof housing.

### HD IN REAL TIME

*Outstanding image detail, both day and night*

- N233ZC - 1.3MP HD, 720p @ 30fps, 1/3" CMOS, 3.6mm lens
- N233ZD - 2.1MP HD, 1080p @ 30fps, 1/2.8" Sony Exmor™ CMOS, 3.6mm lens
- 3D-DNR, D-WDR, H.264/MJPEG Dual Stream

### MICRO PT

*Compact Pan/Tilt viewing solution*

- Discreet micro form factor at 2.2" / 57mm height and 5.1" / 130mm diameter
- Provides ±180° pan range / 2°~90° Tilt, 100°/sec max rotation speed, 25 presets
- Powerful 3x Digital Zoom. Supports MicroSD card (64GB max)

### EASY INSTALLATION

*Quick clip-on mounting bracket and PoE support*

- Easy install ceiling mounting bracket, wall mount accessory available
- 12V / PoE (802.3af) operation, Onvif Profile S conformance
- IP66 weatherproof, IK10 vandalproof. Microphone built-in

### FLIR CLOUD REMOTE VIEWING

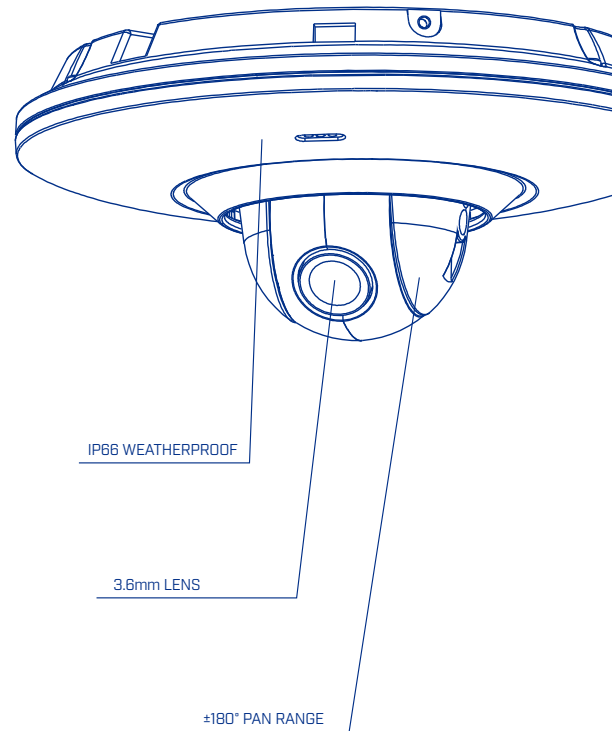
*Centralized control over multiple sites with FLIR Cloud on PC/Mac, iOS /Android*

- Centralized viewing and control of up to 64 cameras on each screen with PC/Mac
- Access live or recorded video at any time on your iPhone / Android / iPad
- Advanced mobile app features including remote playback, push notifications for motion/alarm, E-map, manual record/snapshot to device



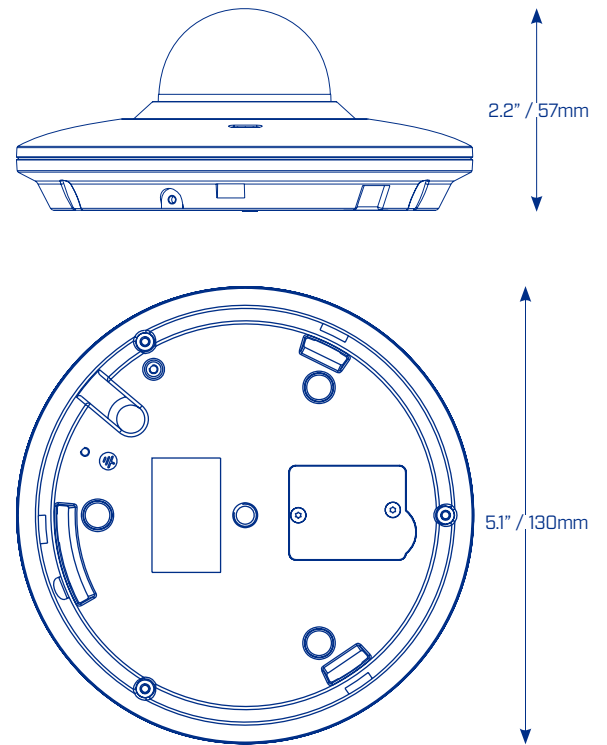
## Specifications

Camera	N233ZC / N233ZCP	N233ZD / N233ZD
Imaging Device	1.3MP, 1/3-inch	2.1 MP, 1/2.8"
Effective Pixels	1280 (H) x 960 (V)	2048 (H) x 1536 (V)
Image Type	CMOS	
Image Readout	Progressive Scan	
Day / Night	Auto/Color/B/W	
Mechanical IR Cut Filter	No	
Min. Illumination	0.1lux (Color)	
S/N Ratio	>50dB	
Field of View (H)	70°	88°
IR Illumination	No	
IR On / Off Control	N/A	
Video Output	N/A	
Electronic Shutter Range	1/3 (4)~1/10000s	
<b>Optical</b>		
Lens Type	Fixed	
Mount Type	Board type	
Focal Length	3.6mm	
Zoom	3x Digital	
Focus	Fixed	
Aperture	F1.2	
<b>Pan/Tilt</b>		
Pan / Tilt Range	±180° Pan / 2° ~ 90° Tilt	
Preset Speed (Maximum)	100°/s	
Presets	25	
<b>Video</b>		
Video Compression	MJPEG / H.264	
Video Streams	H.264 & MJPEG Dual Stream	
Resolution Selection	1.3M (1280x960) / 720p (1280x720) /D1 (704x576/704x480)/CIF (352x288/352x240)	1080P (1920 x 1080) / 720P (1280 x 720) / D1 (704x576/704x480) / CIF (352x288/352x240)
Aspect Ratio	16 : 9	
Frame rates (Maximum)	1280 x960 @ 25/30fps / D1/CIF@ 25/30fps	1080P / 720P @25/30fps /D1/CIF@ 25/30fps
Bit Rate Control	CBR / VBR	
Bit Rate Selection	Compression Type: 32K~8192Kbps	Compression Type: 32K~8192Kbps
Wide Dynamic Range	Digital WDR	
Backlight Compensation	BLC / HLC / DWDR	
White Balance	Auto / Manual	
Gain Control	Auto / Manual	
Noise Reduction	3D	
Video Mirroring	Horizontal Mirror / Vertical Flip	
Video Overlay	Time / Date / Camera / Custom	
Window Blanking (Privacy)	Up to 4 Areas	
Menu Languages	English	
<b>Network</b>		
Protocols	IPv4 / IPv6, HTTP, HTTPS, SSL, TCP / IP, UDP, UPnP, ICMP, IGMP, SNMP, RTSP, RTP, SMTP, NTP, DHCP, DNS, PPPOE, DDNS, FTP, IP Filter, QoS, Bonjour	
ONVIF Conformance	Profile S	
Users	Up to 20 users	
<b>Audio</b>		
Input/Output	Built-in Microphone	
Encoding	G.711a / G.711u / PCM	



## Specifications

Mechanical	N233ZC / N233ZCP	N233ZD / N233ZD
Product Dimensions (D x H)	5.1" x 2.2" / 130mmx57.5mm	
Product Weight	0.6lb / 0.25kg	
Electrical		
Network Port	10 / 100 Base-T	
Analog Video Out (service only)	No	
Power Input	12V DC, PoE	
Power Consumption (Maximum)	3.2W	
Current Consumption (Maximum)	270mA	
Edge Storage	Yes ,Micro SD, Max 64GB	
Built-in Heater	No	
Alarm I/O	No	
Environmental		
Operating Temperature	-4°F ~ 122°F / -20°C ~ 50°C	
Operating Humidity	Less then 95% RH	
Ingress Protection	IP66	
Vandal Resistance	IK10	



### Ordering Information

N233ZC: 8-41430-01040-1  
 N233ZD: 8-41430-01041-8  
 N233ZCP: 8-41430-01156-9  
 N233ZDP: 8-41430-01157-6

### Package Dimensions

6.8 x 6.9x 6.5" / 172 x 175 x 165mm

### MARKHAM, ONTARIO

FLIR Systems, Inc.  
 250 Royal Crest Court  
 Markham, ON L3R 3S1  
 Canada  
 PH: +1 866.344.4674

### PORTLAND

Corporate Headquarters  
 FLIR Systems, Inc.  
 27700 SW Parkway Ave.  
 Wilsonville, OR 97070  
 USA  
 PH: +1 866.477.3687

[www.flir.com/security](http://www.flir.com/security)  
 NASDAQ: FLIR

Equipment described herein may require US Government authorization for export purposes. Diversion contrary to US law is prohibited. Imagery for illustration purposes only. Specifications are subject to change without notice. ©2015 FLIR Systems, Inc. All rights reserved. [Created 01/27/15]