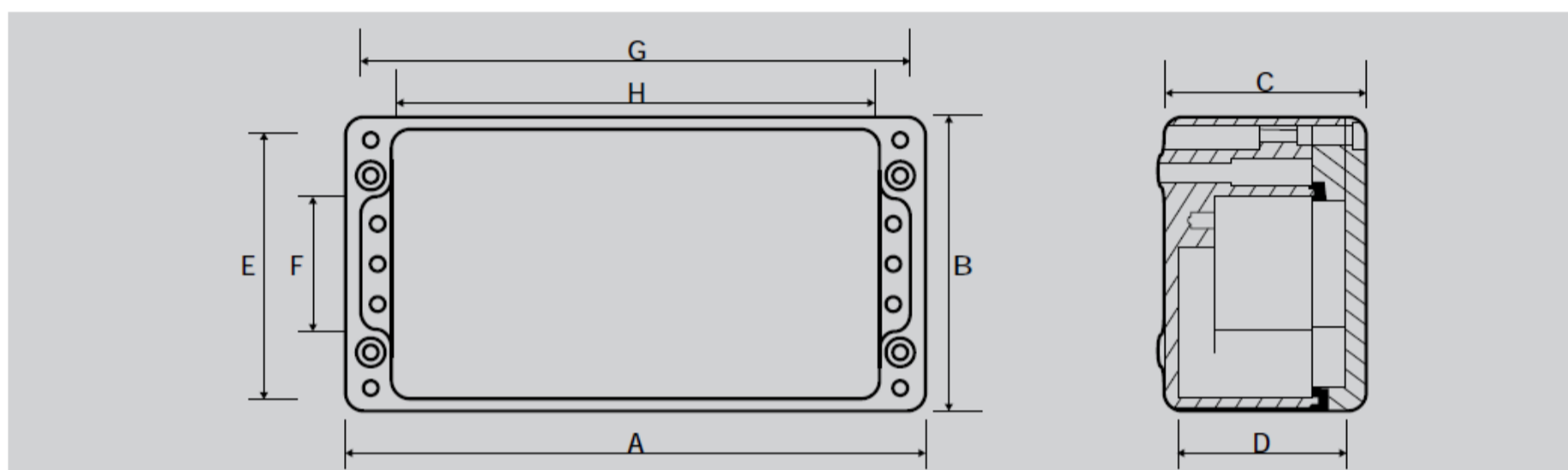




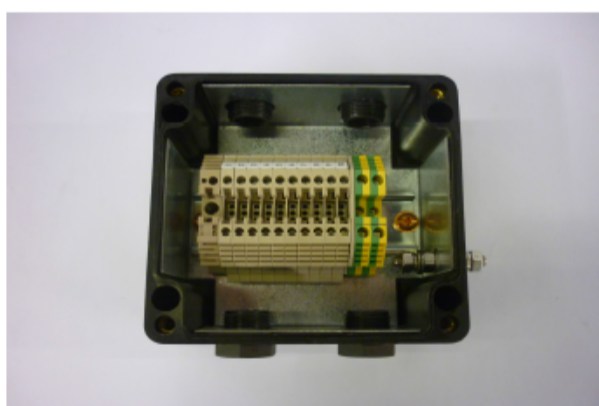
## Stock Pre-assembled Polyester (GRP) ATEX Enclosures

CE-TEK's CEP black polyester (GRP) enclosures are available in 3 popular sizes and terminal configurations to meet our customers' urgent Ex requirements.

- All pre-assembled enclosures meet current Ex e, Ex ia and Ex ib requirements to EN 60079:2007
- Available to meet T6 (T85°) and T5 (100°) temperature ratings
- Ex certified in accordance with SIRA08ATEX3213
- Maximum dissipated power (watts) ratings available on request



Product Code	A	B	C	D	E	F	G	H
CEP121290PA	122mm	120mm	90mm	81.5mm	111mm	66mm	113mm	90mm
CEP161690PA	160mm	160mm	90mm	80mm	148mm	90mm	148mm	120mm
CEP261690PA	260mm	160mm	90mm	80mm	148mm	90mm	90mm	220mm

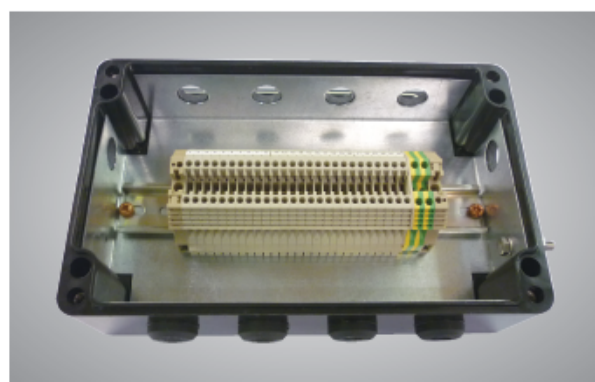
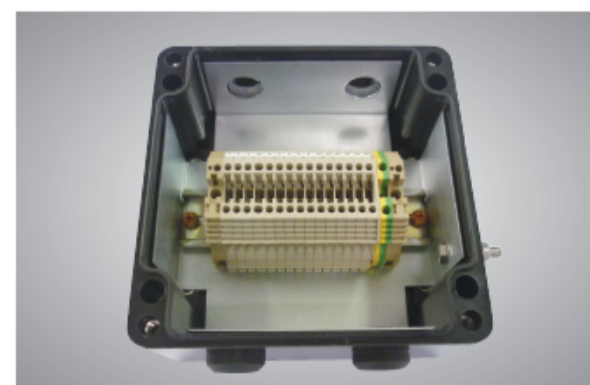


CEP121290PA Machined and assembled with:

- 4 x M20 cable entries
- 10 x 2.5mm<sup>2</sup> terminals, numbered and fitted to DIN rail
- 2 x 4mm<sup>2</sup> earth terminals
- Earth continuity plate
- M6 earth stud
- 4 certified stopping plugs
- ATEX Certification label

CEP161690PA Machined and assembled with:

- 4 x M20 cable entries
- 15 x 2.5mm<sup>2</sup> terminals, numbered and fitted to DIN rail
- 2 x 4mm<sup>2</sup> earth terminals
- Earth continuity plate
- M6 earth stud
- 4 certified stopping plugs
- ATEX Certification label



CEP261690PA Machined and assembled with:

- 10 x M20 cable entries
- 26 x 2.5mm<sup>2</sup> terminals, numbered and fitted to DIN rail
- 2 x 4mm<sup>2</sup> earth terminals
- Earth continuity plate
- M6 earth stud
- 4 certified stopping plugs
- ATEX Certification label