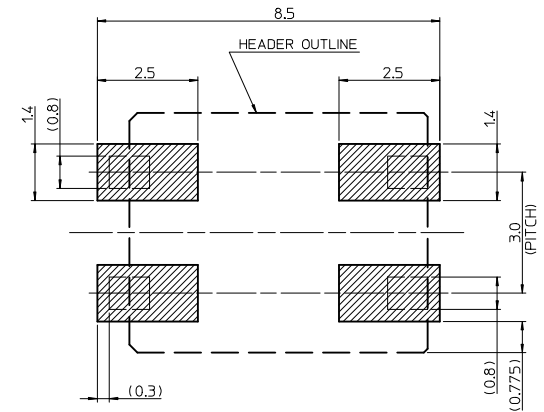
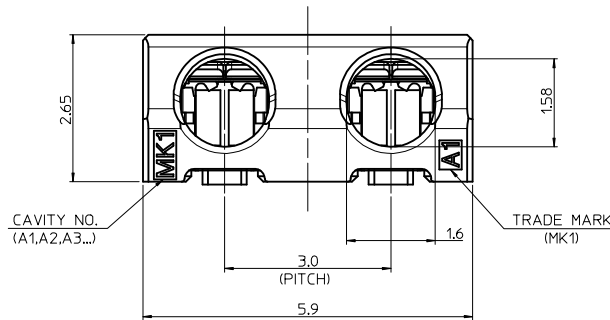
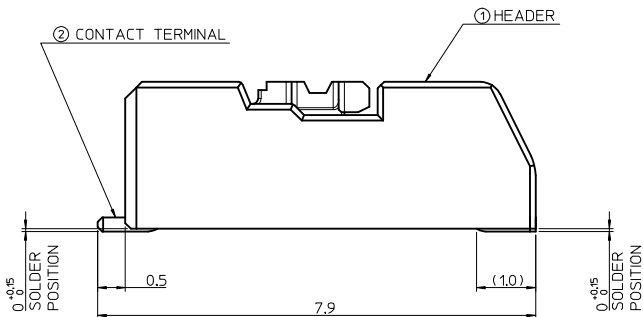


ISOMETRIC VIEW
(Scale 7/1)

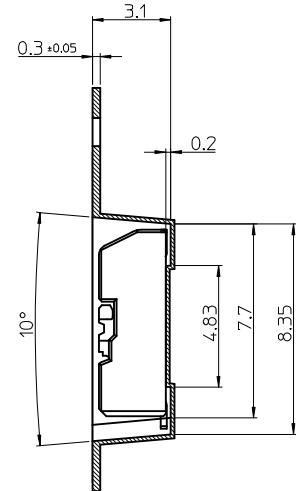
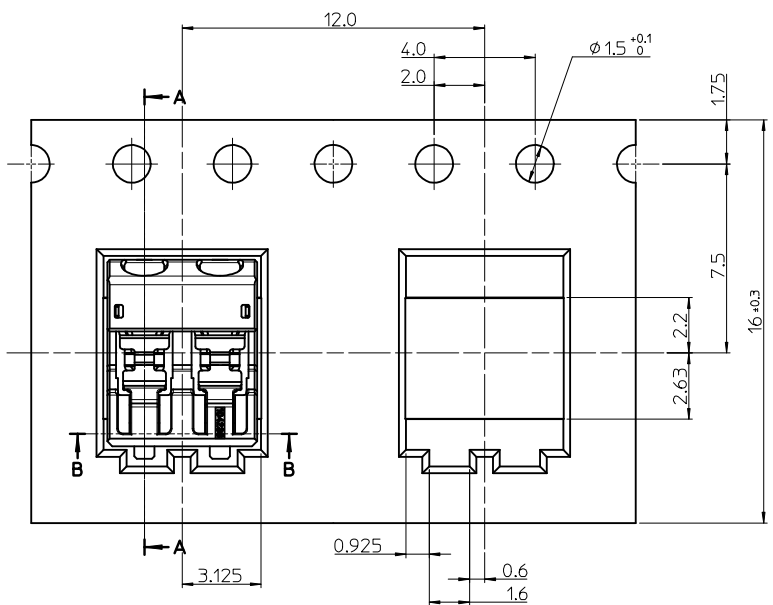


RECOMMENDED PCB LAY OUT
(GENERAL TOLERANCE : ±0.05)

NOTE

- MATERIAL
 - HEADER : LCP, GLASS FILLED, UL94V-0 HALOGEN FREE, COLOR OF NATURAL
 - CONTACT TERMINAL : COPPER-ALLOY, 0.25mm THICKNESS
- PLATING
 - CONTACT TERMINAL : TIN -PLATED 0.8μm MINIMUM TIN PLATING
- PRODUCT SPECIFICATION : PS-104238-001
- PACKAGING SPECIFICATION : PK-104238-001
- COPLANALITY OF SOLDER TAILS (PEAK TEMP. : 260°C), BEFORE & AFTER REFLOW : 0.08 MAX.
- APPLICABLE SOLID WIRE RANGE : (OUTSIDE WIRE INSULATION : 1.48mm DIAMETER MAX.)
 - SOLID WIRE : AWG #26~#22

RELEASED EC NO: KOR2015-0096 DRWN: SCHONG03 2015/01/12 CHKD: SHCHU 2015/01/12 APPR: YSK1M02 2015/03/30	QUALITY SYMBOLS ▽=0 ◻=0	GENERAL TOLERANCES (UNLESS SPECIFIED)		DIMENSION STYLE MM ONLY		SCALE 11:1	DESIGN UNITS METRIC	THIRD ANGLE PROJECTION		
			mm	INCH	DRAWN BY	DATE	TITLE			
		4 PLACES	± ---	± ---	SCHONG03	2015/01/12	MINI LITE-TRAP CONNECTOR HEADER ASS'Y -2P			
		3 PLACES	± ---	± ---	CHECKED BY	DATE				
	± 0.15	± ---	SHCHU	2015/01/12						
2 PLACES	± 0.20	± ---	APPROVED BY	DATE						
1 PLACE	± ---	± ---	YSK1M02	2015/03/30	MATERIAL NO. 1042380210		DOCUMENT NO. SD-104238-003		SHEET NO. 1 OF 1	
	± ---	± ---	DRAFT WHERE APPLICABLE MUST REMAIN WITHIN DIMENSIONS		SIZE A3	THIS DRAWING CONTAINS INFORMATION THAT IS PROPRIETARY TO MOLEX INCORPORATED AND SHOULD NOT BE USED WITHOUT WRITTEN PERMISSION				

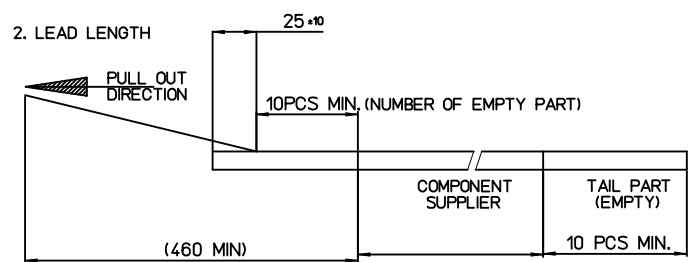


Section A-A

NOTES

1. QUANTITY OF CONNECTORS : 2,500 PCS/REEL

2. LEAD LENGTH



3. PEELING OFF FORCE OF COVER TAPE : 0.1N~0.59N(10.2GF~60GF)
 (PEELING DIRECTION AS SHOW IN FOLLOW FIG.)
 PEELING OFF SPEED : 300mm/Min.(Ref.)

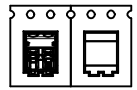


4. FLASH IN ANY PORTION SHOULD BE LESS THAN 0.20mm MAX.
 5. UNLESS OTHERWISE SPECIFIED INNER R0.2 MAX

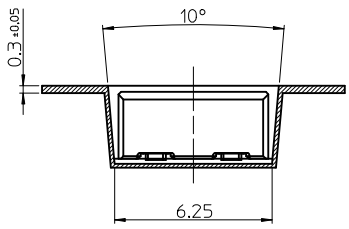
[TABLE]

1042380210	104238-0210	NATURAL	16.0mm	104238-9002
MATERIAL NO.	NO.	COLOR	TAPE WIDTH	EMBOSS TAPE
	CONNECTOR			

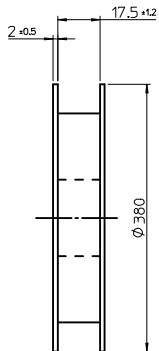
PULL OUT DIRECTION →



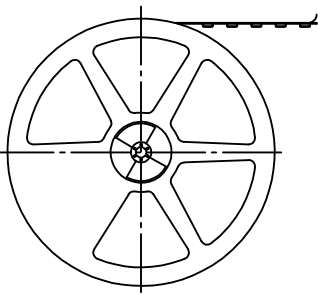
PULL OUT DIRECTION →



Section B-B



PLASTIC BOBBIN



RELEASED EC NO: KOR2015-0074 DRWN: SCHONG03 2014/12/10 CHKD: SHCHU 2014/12/10 APPR: YSKI M02 2014/12/11	QUALITY SYMBOLS ▽=0 □=0	GENERAL TOLERANCES (UNLESS SPECIFIED)		DIMENSION STYLE MM ONLY		SCALE 5:1	DESIGN UNITS METRIC	THIRD ANGLE PROJECTION	
		4 PLACES ± --- ± ---	mm INCH	DRAWN BY SCHONG03	DATE 2014/12/10	TITLE MINI S-POKE CONN. -2P MINI LITE TRAP CONN.2CKT EMBOSSED PACKAGE			
		3 PLACES ± --- ± ---	2 PLACES ± 0.15 ± ---	CHECKED BY SHCHU	DATE 2014/12/10	MATERIAL NO. 1042380210			
		1 PLACE ± 0.20 ± ---	0 PLACE ± --- ± ---	APPROVED BY YSKIM02	DATE 2014/12/11	DOCUMENT NO. SD-104238-004			
A	REV	DRAFT WHERE APPLICABLE MUST REMAIN WITHIN DIMENSIONS		SIZE A3	THIS DRAWING CONTAINS INFORMATION THAT IS PROPRIETARY TO MOLEX INCORPORATED AND SHOULD NOT BE USED WITHOUT WRITTEN PERMISSION				