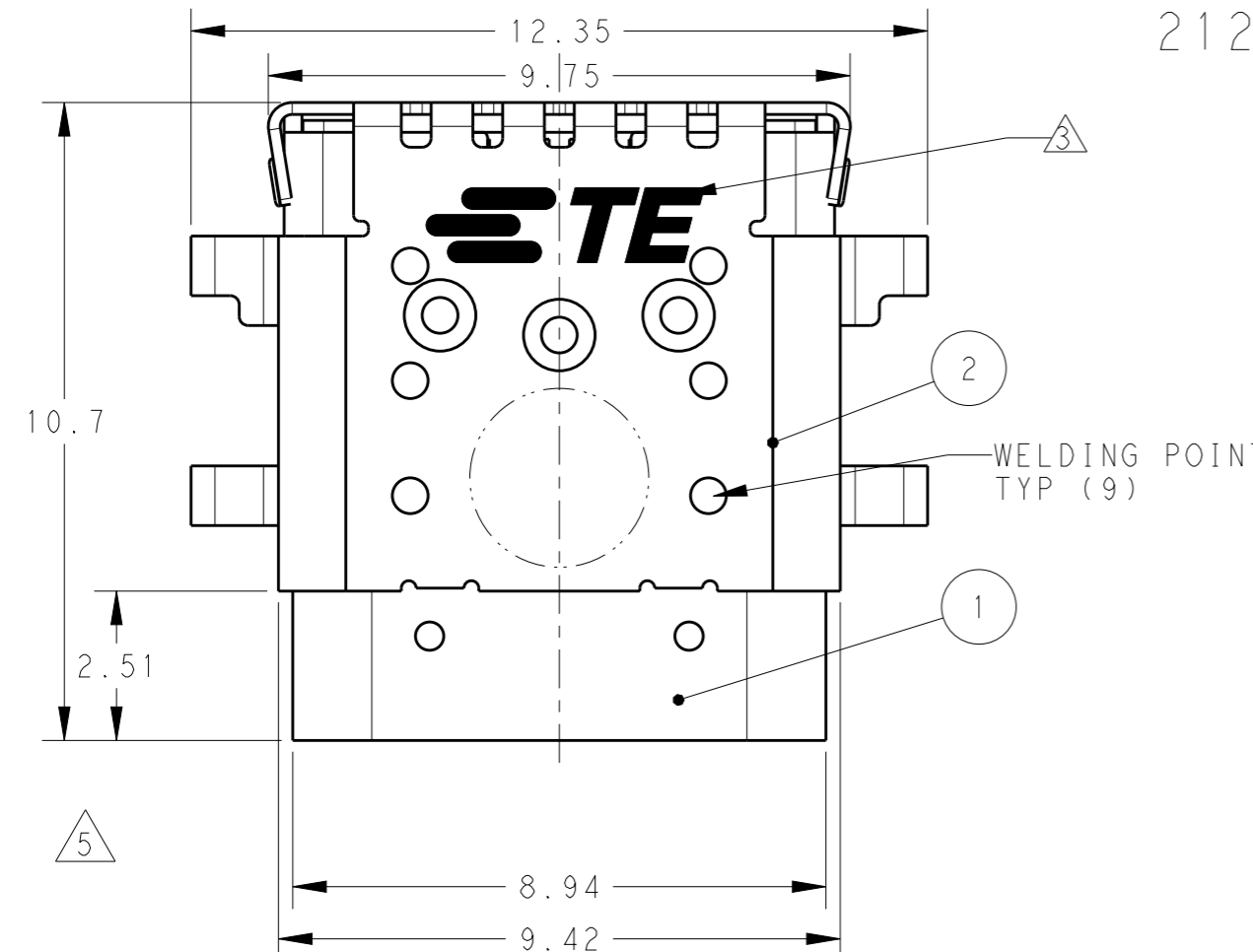


THIS DRAWING IS UNPUBLISHED. RELEASED FOR PUBLICATION 20  
 © COPYRIGHT 20 BY - ALL RIGHTS RESERVED.

REVISIONS				
P	LTR	DESCRIPTION	DATE	APVD
	6	REVISED	10JUN2015	S.Zh J.L

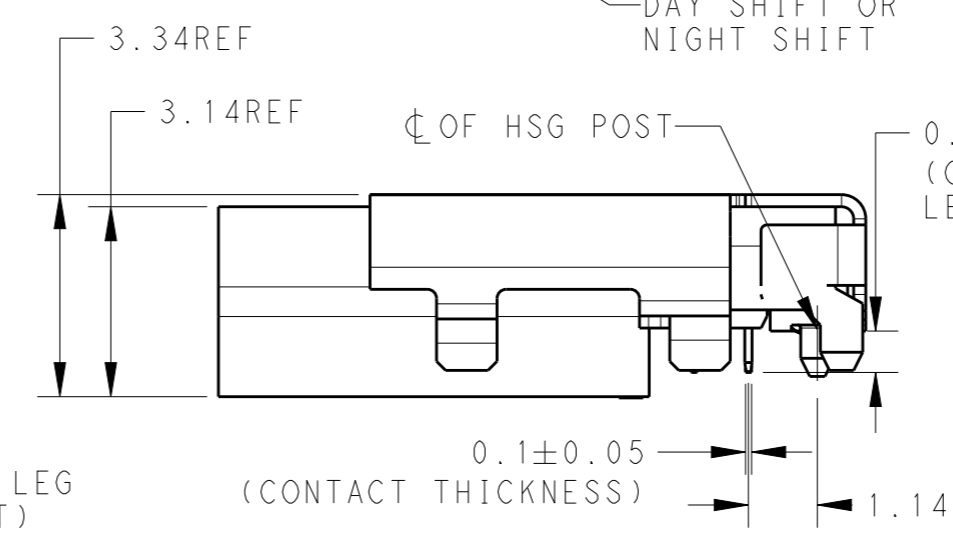
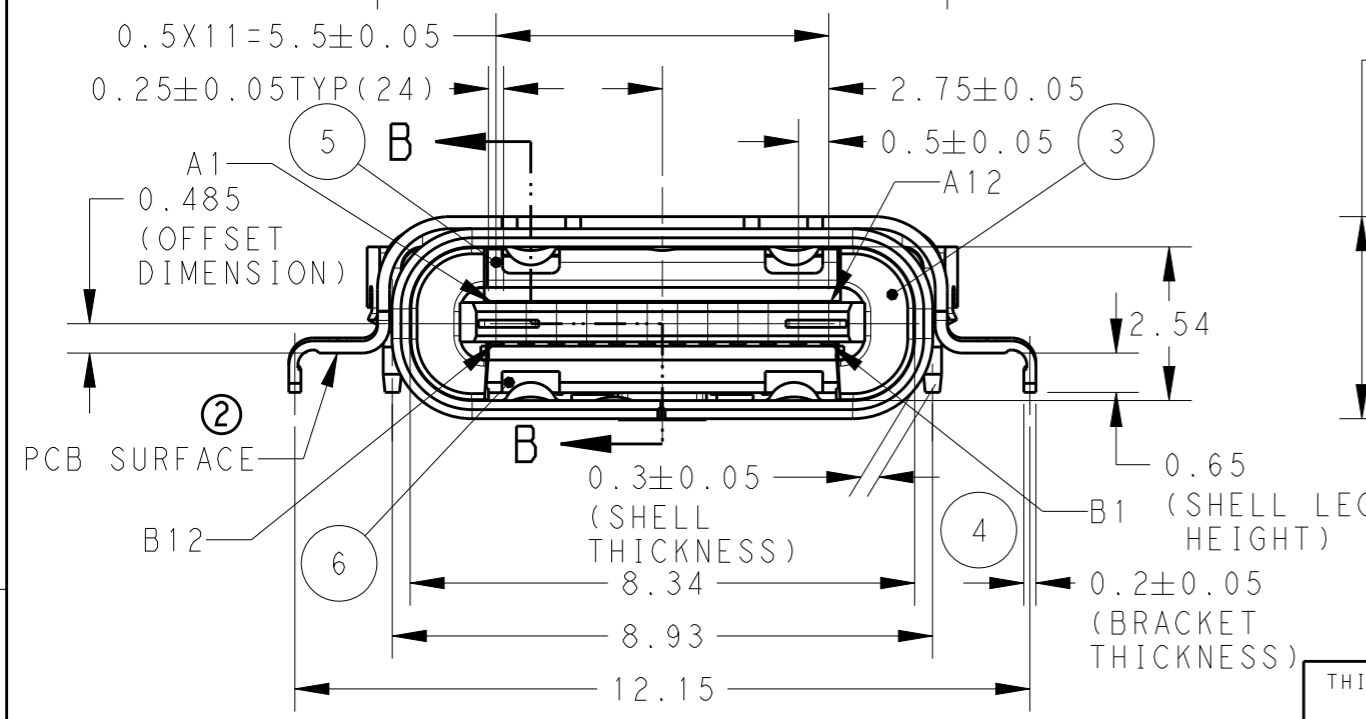
2129691-1; AS SHOWN



- △ MATERIAL :
- ① SHELL : STAINLESS STEEL
  - ② SHELL BRACKET : STAINLESS STEEL
  - ③ HOUSING : HIGH TEMPERATURE THERMO PLASTIC, BLACK, UL94V-0
  - ④ SECONDARY HIGH TEMPERATURE THERMO PLASTIC, BLACK, UL94V-0
  - ⑤ UPPER INNER SHELL : STAINLESS STEEL
  - ⑥ LOWER INNER SHELL : STAINLESS STEEL
  - ⑦ UPPER CONTACT : COPPER ALLOY
  - ⑧ LOWER CONTACT : COPPER ALLOY
  - ⑨ MID-PLATE : STAINLESS STEEL
- △ FINISH :
- CONTACT : ALL OVER NI PLATING(2.0um)  
 CONTACT AREA AU PLATING (0.75um)  
 SOLDER TAIL AREA TIN PLATING(2.0um)
  - SHELL : ALL OVER NI PLATING (1.3um)
  - BRACKET : ALL OVER NI PLATING (1.3um)
- △ TE LOGO
- △ DATE CODE
- △ VACUUM AREA

ASSY LINE NO.  
A,B,C,\*\*\*

△ YYWWD\*\*  
DAY SHIFT OR NIGHT SHIFT



Q'TY	NAME	ITEM
1	MID PLATE	⑨
12	LOWER CONTACT	⑧
12	UPPER CONTACT	⑦
1	LOWER INNER SHELL	⑥
1	UPPER INNER SHELL	⑤
1	SECONDARY HOUSING	④
1	HOUSING	③
1	SHELL BRACKET	②
1	SHELL	①

VIEW M

THIS DRAWING IS A CONTROLLED DOCUMENT.

DWN G.SHIH 4NOV2014  
 CHK M.CHAO 6NOV2014  
 APVD M.CHAO 6NOV2014

PRODUCT SPEC -  
 APPLICATION SPEC -  
 WEIGHT -

**STE** TE Connectivity

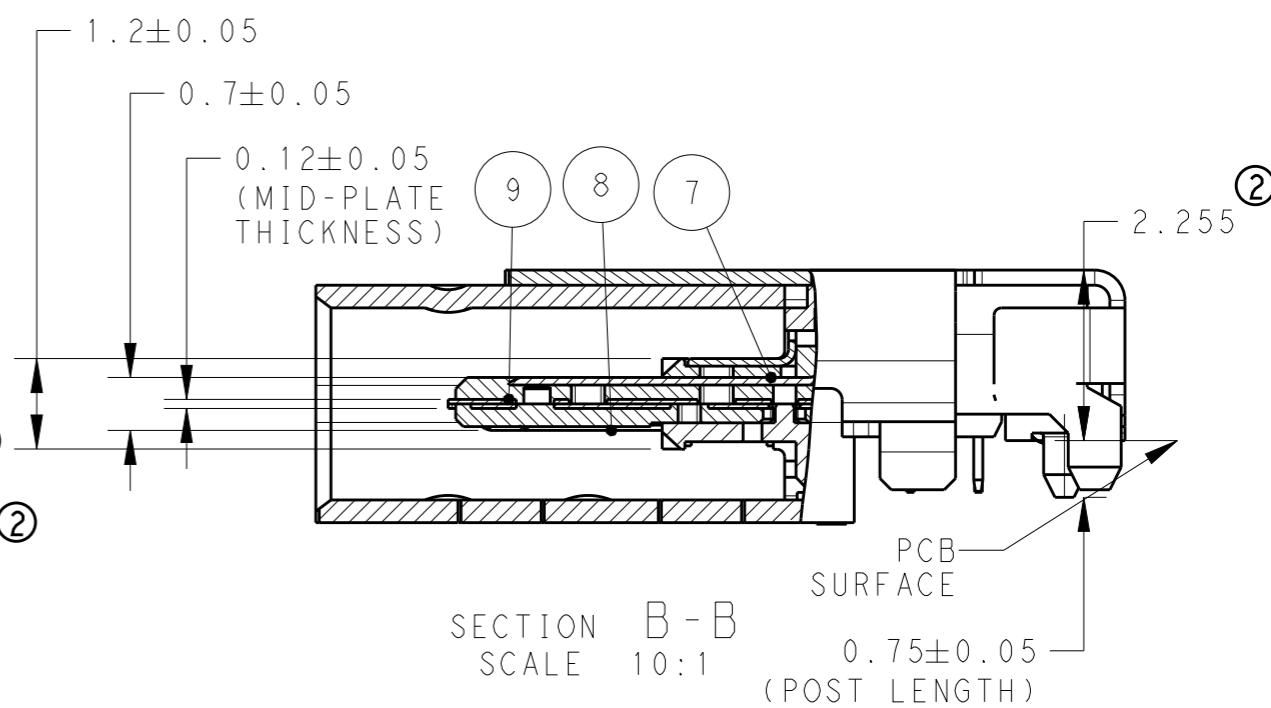
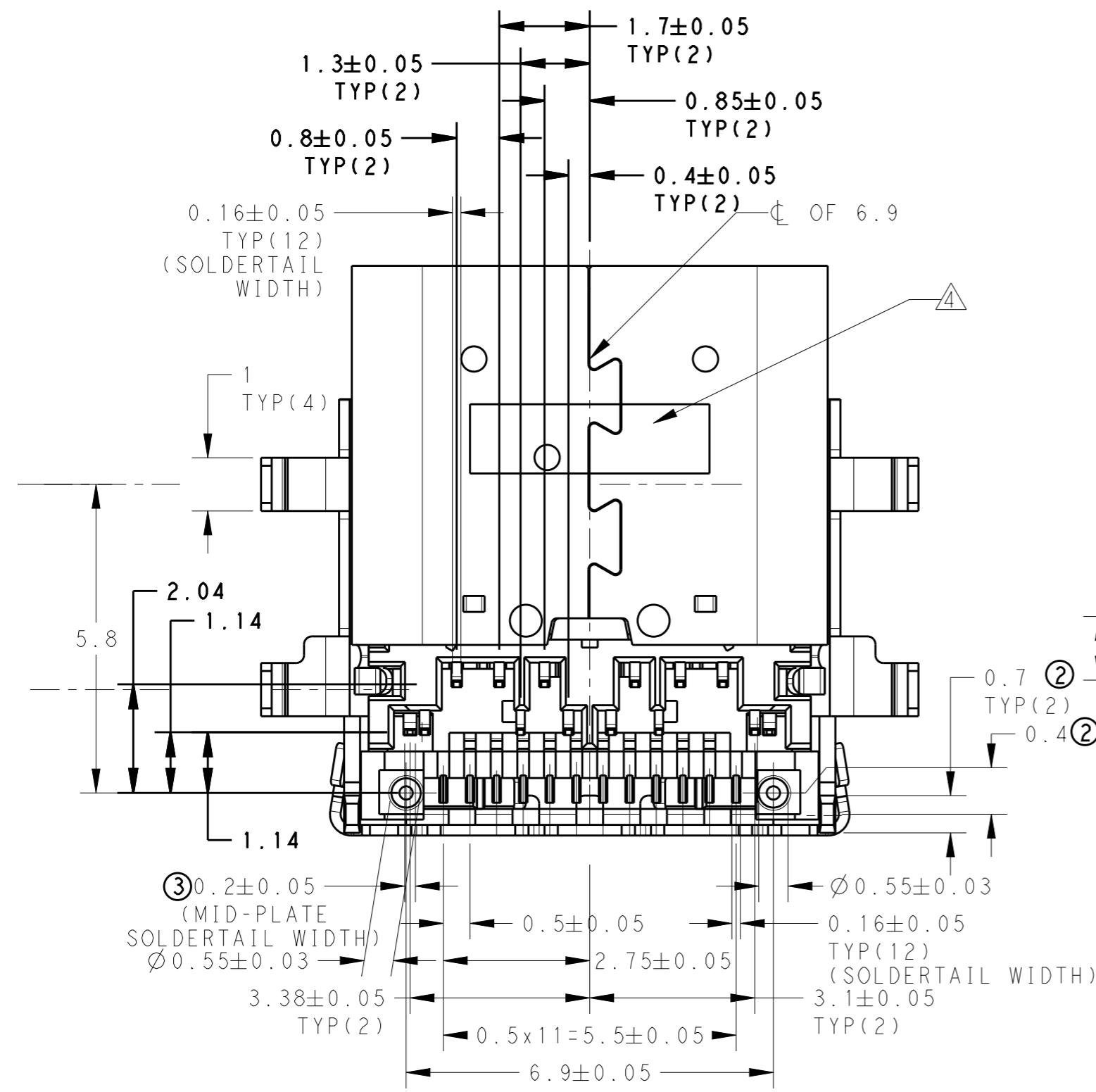
NAME TYPE-C RECEPTACLE ASSEMBLY  
 OFFSET 0.485MM HYBRID TYPE

SIZE A3 CAGE CODE 00779 DRAWING NO C-2129691 RESTRICTED TO -

CUSTOMER DRAWING SCALE 8/1 SHEET 1 OF 3 REV 6

P	LTR	DESCRIPTION	DATE	DWN	APVD
-	-	SEE SHEET 1	-	-	-

2129691-1; AS SHOWN



VIEW M SCALE 10:1

THIS DRAWING IS A CONTROLLED DOCUMENT.		DWN -	<b>STE</b> TE Connectivity	
DIMENSIONS: mm		CHK -		
TOLERANCES UNLESS OTHERWISE SPECIFIED:		APVD -	NAME	
0 PLC ± ±0.25		PRODUCT SPEC -	TYPE-C RECEPTACLE ASSEMBLY	
1 PLC ± ±3°		APPLICATION SPEC -	OFFSET 0.485MM HYBRID TYPE	
2 PLC ± ±		WEIGHT -	SIZE	RESTRICTED TO
3 PLC ± ±		CUSTOMER DRAWING	A300779	C=2129691
4 PLC ± ±		SCALE 8/1	SHEET 2 OF 3	REV 6
ANGLES ± ±				
FINISH -				

