

TK 2518f – Polystyrene and Polycarbonate – 254x180mm (10.0x7.09in.)

Standard Features

- **Protection Level:** IP66 (NEMA Type: 4X with gray cover, 12K with transparent cover)
- **Technical:** Smooth or Knockout Sidewalls
Gray or Tinted Transparent Cover
Multiple Enclosure Mounting Options
- **Enclosure Material:** Polystyrene or Polycarbonate
- **Gasket Material:** Polyurethane
- **Color:** Light Gray
- **Temperature Range:** Polystyrene
-40°C to 70°C (-40°F to 158°F)
Polycarbonate
-35°C to 120°C (-31°F to 248°F)
- **Accessories:** See section below



Smooth Sidewalls

Ordering Information	Height mm (in)	Polystyrene				Polycarbonate ¹			
		Cat. No.	Type	Cover Color	Std. Pk.	Cat. No.	Type	Cover Color	Std. Pk.
Enclosure - low cover	63 mm (2.48 in)	110-411	PS 2518-6f-o	gray	1	120-411	PC 2518-6f-o	gray	1
Enclosure - high cover	84 mm (3.31 in)	110-911	PS 2518-8f-o	gray	1	120-911	PC 2518-8f-o	gray	1
Enclosure - top hat cover	137 mm (5.39 in)	109-411	PS 2518-14f-o	gray	1	121-411	PC 2518-14f-o	gray	1
Enclosure - low cover	63 mm (2.48 in)	111-011	PS 2518-6f-to	trans.	1	130-011	PC 2518-6f-to	trans.	1
Enclosure - high cover	84 mm (3.31 in)	111-511	PS 2518-8f-to	trans.	1	130-511	PC 2518-8f-to	trans.	1
Enclosure - top hat cover	137 mm (5.39 in)	112-011	PS 2518-14f-to	trans.	1	131-011	PC 2518-14f-to	trans.	1

Sidewalls with Metric Knockouts

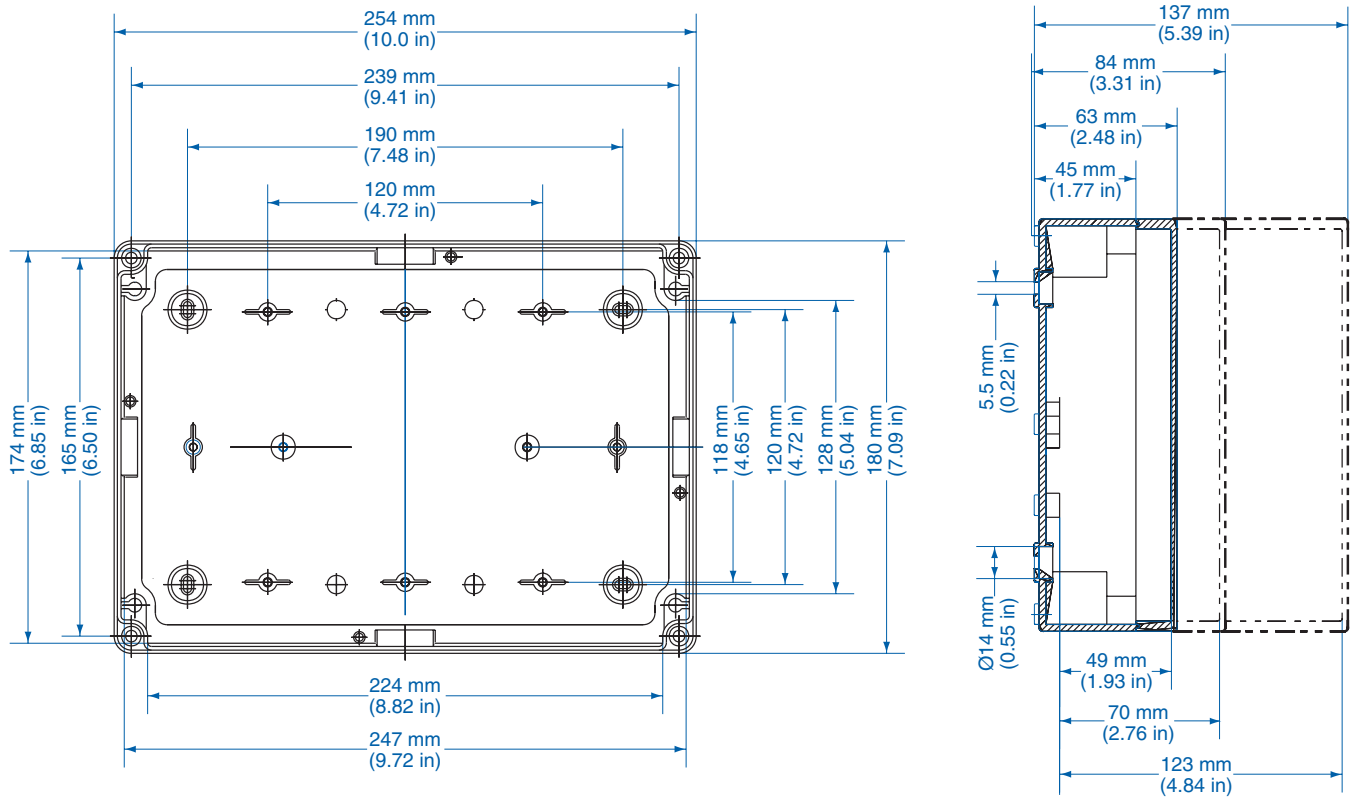
Ordering Information	Height mm (in)	Polystyrene				Polycarbonate ¹			
		Cat. No.	Type	Cover Color	Std. Pk.	Cat. No.	Type	Cover Color	Std. Pk.
Enclosure - low cover	63 mm (2.48 in)	105-411	PS 2518-6f-m	gray	1	127-411	PC 2518-6f-m	gray	1
Enclosure - high cover	84 mm (3.31 in)	105-911	PS 2518-8f-m	gray	1	127-911	PC 2518-8f-m	gray	1
Enclosure - top hat cover	137 mm (5.39 in)	104-411	PS 2518-14f-m	gray	1	128-411	PC 2518-14f-m	gray	1
Enclosure - low cover	63 mm (2.48 in)	106-011	PS 2518-6f-tm	trans.	1	137-011	PC 2518-6f-tm	trans.	1
Enclosure - high cover	84 mm (3.31 in)	106-511	PS 2518-8f-tm	trans.	1	137-511	PC 2518-8f-tm	trans.	1
Enclosure - top hat cover	137 mm (5.39 in)	107-011	PS 2518-14f-tm	trans.	1	138-011	PC 2518-14f-tm	trans.	1

Accessories

Ordering Information	Cat. No.	Type	Std. Pk.
Mounting Plate	195-008	MP2518	1
DIN Rail TS35-216mm	198-216	TS 35/216	1
Hinge Kit Set	190-005	HK2	1
Mounting Tab Kit	194-001	MT1	1

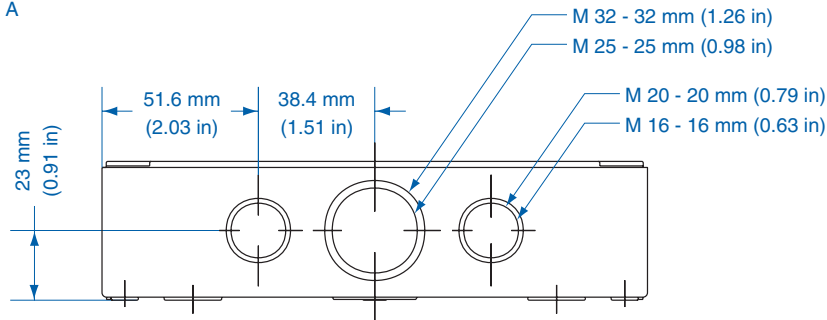
Please refer to pages 116-120 for additional accessories and detailed information.

Dimensions

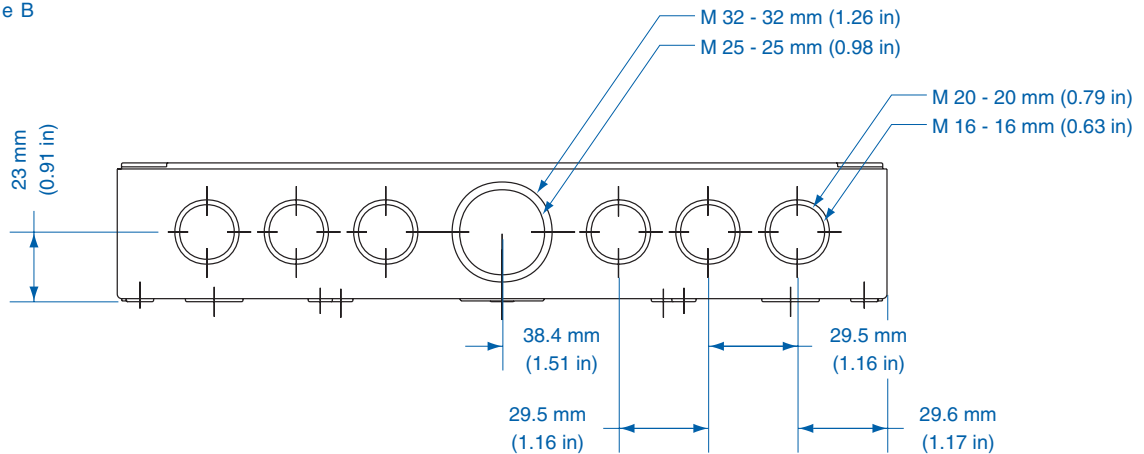


Knockout Positions

Side A



Side B



TK 2518 – Polystyrene and Polycarbonate – 254x180mm (10.0x7.09in.)

Standard Features

- **Protection Level:** IP66 (NEMA Type: 4X with gray cover, 12K with transparent cover)
- **Technical:** Smooth or Knockout Sidewalls
Gray or Tinted Transparent Cover
Multiple Enclosure Mounting Options
- **Enclosure Material:** Polystyrene or Polycarbonate
- **Gasket Material:** Polyurethane
- **Color:** Light Gray
- **Temperature Range:** Polystyrene
-40°C to 70°C (-40°F to 158°F)
Polycarbonate
-35°C to 120°C (-31°F to 248°F)
- **Accessories:** See section below



Smooth Sidewalls

Ordering Information	Height mm (in)	Polystyrene				Polycarbonate ¹			
		Cat. No.	Type	Cover Color	Std. Pk.	Cat. No.	Type	Cover Color	Std. Pk.
Enclosure - low cover	90 mm (3.54 in)	110-408	PS 2518-9-o	gray	1	120-408	PC 2518-9-o	gray	1
Enclosure - high cover	111 mm (4.37 in)	110-908	PS 2518-11-o	gray	1	120-908	PC 2518-11-o	gray	1
Enclosure - top hat cover	165 mm (6.50 in)	109-408	PS 2518-16-o	gray	1	121-408	PC 2518-16-o	gray	1
Enclosure - low cover	90 mm (3.54 in)	111-008	PS 2518-9-to	trans.	1	130-008	PC 2518-9-to	trans.	1
Enclosure - high cover	111 mm (4.37 in)	111-508	PS 2518-11-to	trans.	1	130-508	PC 2518-11-to	trans.	1
Enclosure - top hat cover	165 mm (6.50 in)	112-008	PS 2518-16-to	trans.	1	131-008	PC 2518-16-to	trans.	1

Sidewalls with Metric Knockouts

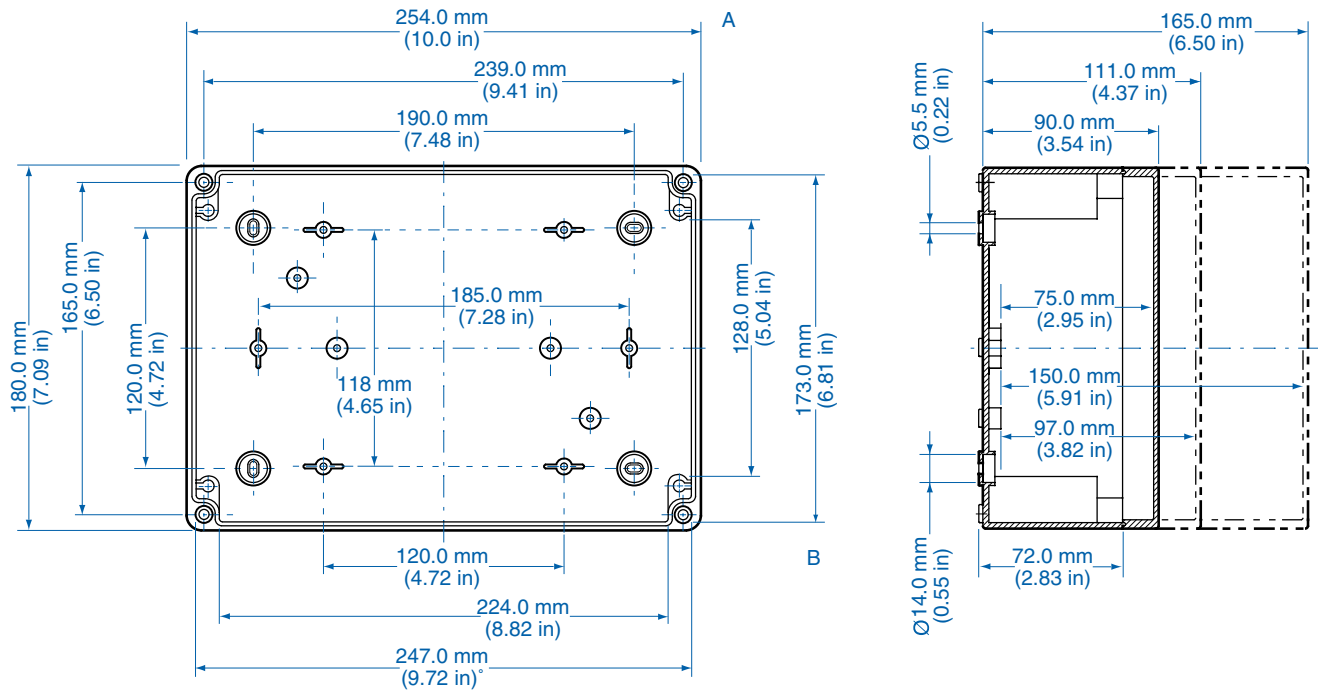
Ordering Information	Height mm (in)	Polystyrene				Polycarbonate ¹			
		Cat. No.	Type	Cover Color	Std. Pk.	Cat. No.	Type	Cover Color	Std. Pk.
Enclosure - low cover	90 mm (3.54 in)	105-408	PS 2518-9-m	gray	1	127-408	PC 2518-9-m	gray	1
Enclosure - high cover	111 mm (4.37 in)	105-908	PS 2518-11-m	gray	1	127-908	PC 2518-11-m	gray	1
Enclosure - top hat cover	165 mm (6.50 in)	104-408	PS 2518-16-m	gray	1	128-408	PC 2518-16-m	gray	1
Enclosure - low cover	90 mm (3.54 in)	106-008	PS 2518-9-tm	trans.	1	137-008	PC 2518-9-tm	trans.	1
Enclosure - high cover	111 mm (4.37 in)	106-508	PS 2518-11-tm	trans.	1	137-508	PC 2518-11-tm	trans.	1
Enclosure - top hat cover	165 mm (6.50 in)	107-008	PS 2518-16-tm	trans.	1	138-008	PC 2518-16-tm	trans.	1

Accessories

Ordering Information	Cat. No.	Type	Std. Pk.
Mounting Plate	195-008	MP2518	1
DIN Rail TS35-216mm	198-216	TS 35/216	1
Hinge Kit Set	190-005	HK2	1
Mounting Tab Kit	194-001	MT1	1

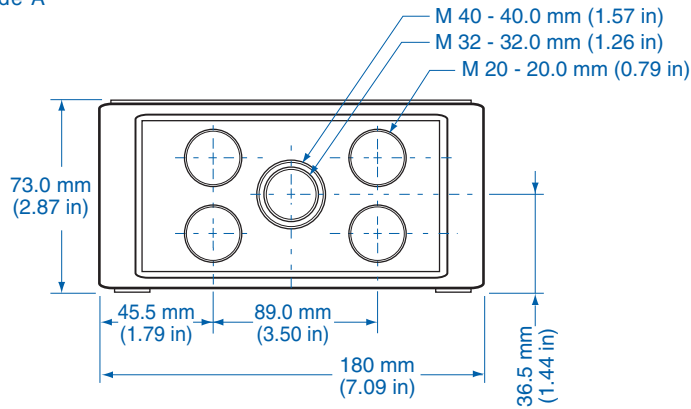
Please refer to pages 116-120 for additional accessories and detailed information.

Dimensions

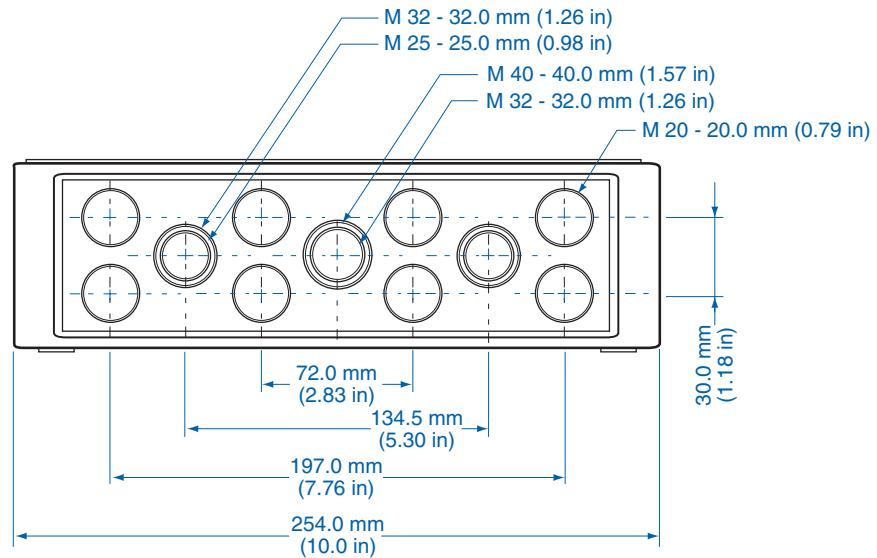


Knockout Positions

Side A



Side B



TK 3625 – Polystyrene and Polycarbonate – 360x254mm (14.2x10.0in.)

Standard Features

- **Protection Level:** IP66 (NEMA Type: 4X with gray cover, 12K with transparent cover)
- **Technical:** Smooth or Knockout Sidewalls
Gray or Tinted Transparent Cover
Multiple Enclosure Mounting Options
- **Enclosure Material:** Polystyrene or Polycarbonate
- **Gasket Material:** Polyurethane
- **Color:** Light Gray
- **Temperature Range:** Polystyrene
-40°C to 70°C (-40°F to 158°F)
Polycarbonate
-35°C to 120°C (-31°F to 248°F)
- **Accessories:** See section below



Smooth Sidewalls

Ordering Information	Height mm (in)	Polystyrene				Polycarbonate ¹			
		Cat. No.	Type	Cover Color	Std. Pk.	Cat. No.	Type	Cover Color	Std. Pk.
Enclosure - low cover	111 mm (4.37 in)	110-412	PS 3625-11-o	gray	1	120-412	PC 3625-11-o	gray	1
Enclosure - high cover	165 mm (6.50 in)	110-912	PS 3625-16-o	gray	1	120-912	PC 3625-16-o	gray	1
Enclosure - low cover	111 mm (4.37 in)	111-012	PS 3625-11-to	trans.	1	130-012	PC 3625-11-to	trans.	1
Enclosure - high cover	165 mm (6.50 in)	111-512	PS 3625-16-to	trans.	1	130-512	PC 3625-16-to	trans.	1

Sidewalls with Metric Knockouts

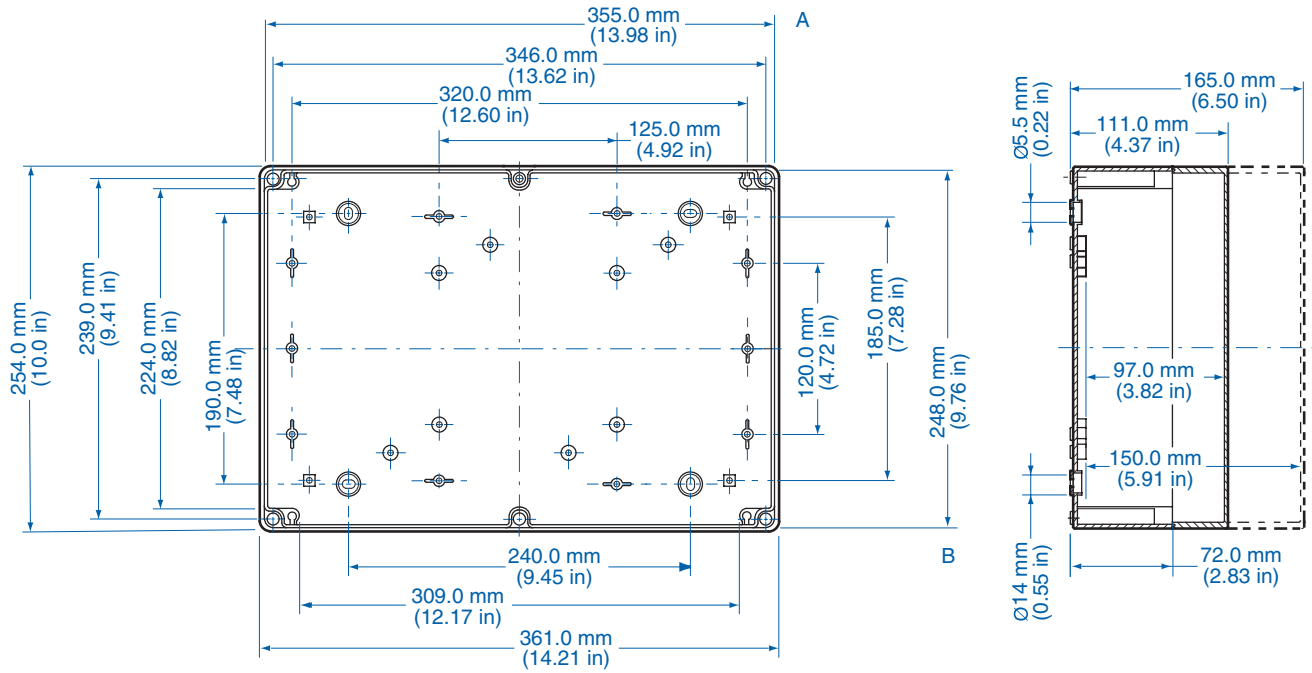
Ordering Information	Height mm (in)	Polystyrene				Polycarbonate ¹			
		Cat. No.	Type	Cover Color	Std. Pk.	Cat. No.	Type	Cover Color	Std. Pk.
Enclosure - low cover	111 mm (4.37 in)	105-412	PS 3625-11-m	gray	1	127-412	PC 3625-11-m	gray	1
Enclosure - high cover	165 mm (6.50 in)	105-912	PS 3625-16-m	gray	1	127-912	PC 3625-16-m	gray	1
Enclosure - low cover	111 mm (4.37 in)	106-012	PS 3625-11-tm	trans.	1	137-012	PC 3625-11-tm	trans.	1
Enclosure - high cover	165 mm (6.50 in)	106-512	PS 3625-16-tm	trans.	1	137-512	PC 3625-16-tm	trans.	1

Accessories

Ordering Information	Cat. No.	Type	Std. Pk.
Mounting Plate	195-012	MP3625	1
DIN Rail TS35-336mm	198-336	TS 35/ 336	1
Hinge Kit Set	190-005	HK2	1
Mounting Tab Kit	194-001	MT1	1

Please refer to pages 116-120 for additional accessories and detailed information.

Dimensions



Knockout Positions

