

Datasheet

RS Pro Hydraulic Crimp Tool



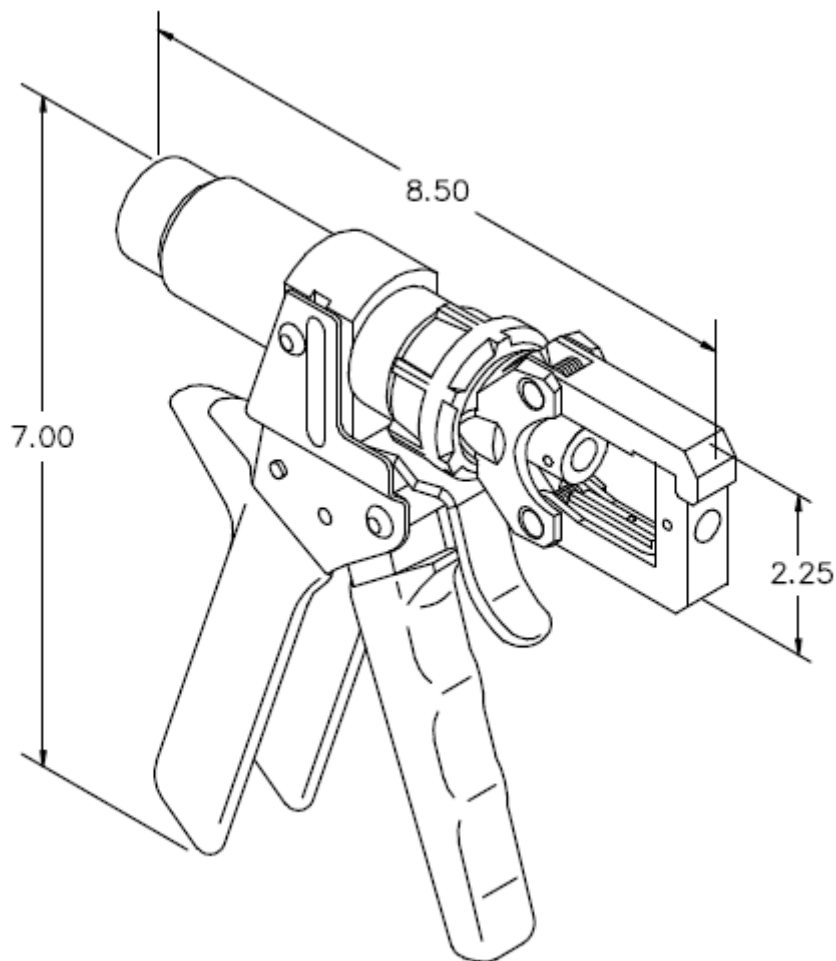
Description:

The D36 hydraulic tool is operated with one hand only, this tool can perform all types of crimping jobs on aluminium and copper cables, and can be used with circular or hexagonal die-sets.

Specifications:

- Force: 35KN
- Capacity: Conductors 6-70 mm²
- Weight: 1,5kg
- Stroke: adjustable between 5 and 8 mm
- Length: 225mm
- Automatic relief valve with audible “click” to prevent over-compression
- Ram Retract mechanism actuated by release trigger
- 360° rotating head for easy accessibility and insertion of connectors in confined working areas
- Interchangeable crimping dies
- Hexagonal die-sets up to 215
- Taring check with a No 2949 test diameter

Drawing:



1. Force: 3.5 Tons
2. Interchangeable Die Sets
3. 360° Rotating Head