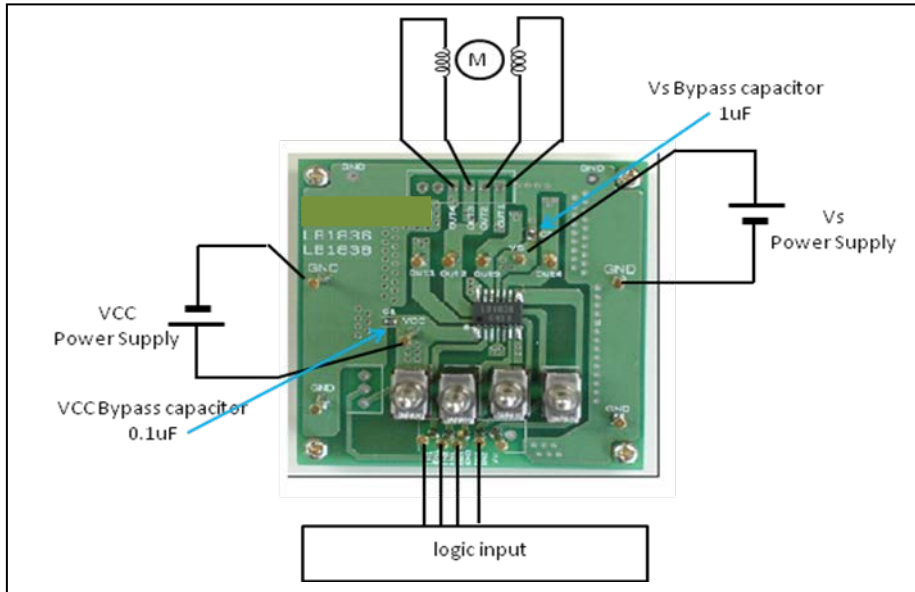
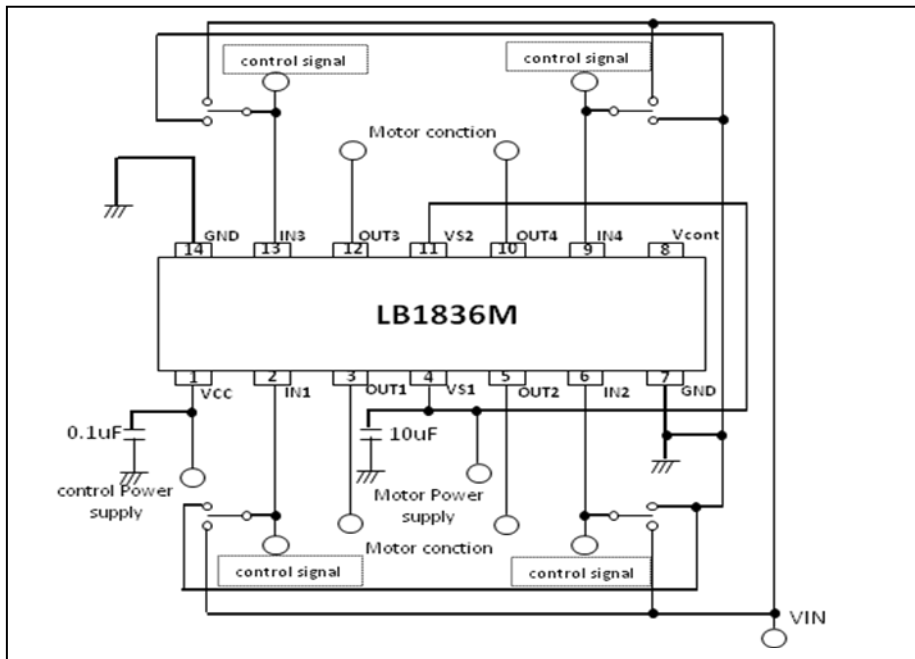


# Test Procedure for the LB1836MEVB Evaluation Board

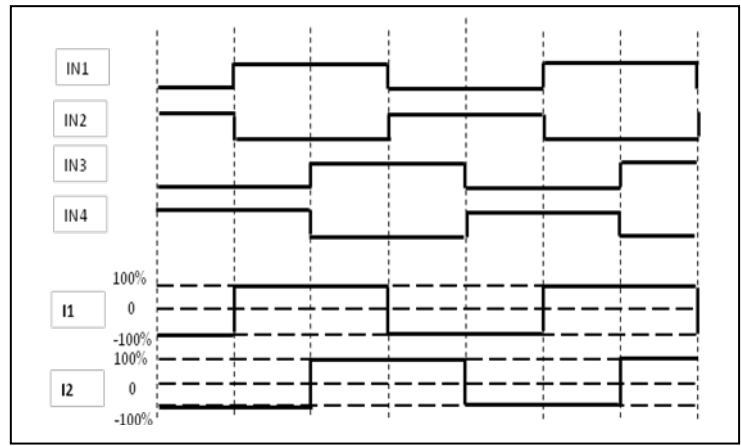


(Circuit diagram of the evaluation board)



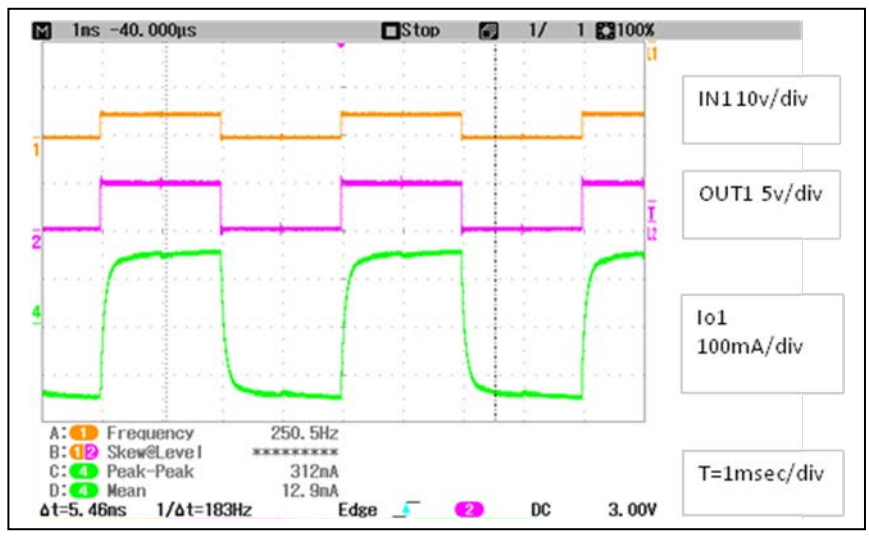
**Testing Procedure:**

1. Connect a stepper motor with OUT1, OUT2, OUT3 and OUT4.
2. Connect the motor power supply with the terminal VCC and VS. Connect the GND line with the terminal GND.
3. Stepper motor drives it in 2 phase excitation by inputting a signal such as follows into IN1, IN2, IN3 and IN4.
4. Check the stepper motor is rotating.
5. Check the waveform of the output voltage and current. (Please refer to the following waveform example.)

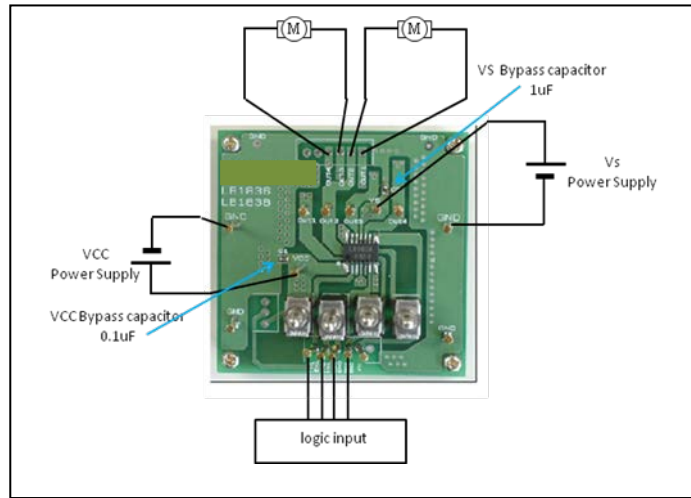


2 phase excitation timing chart

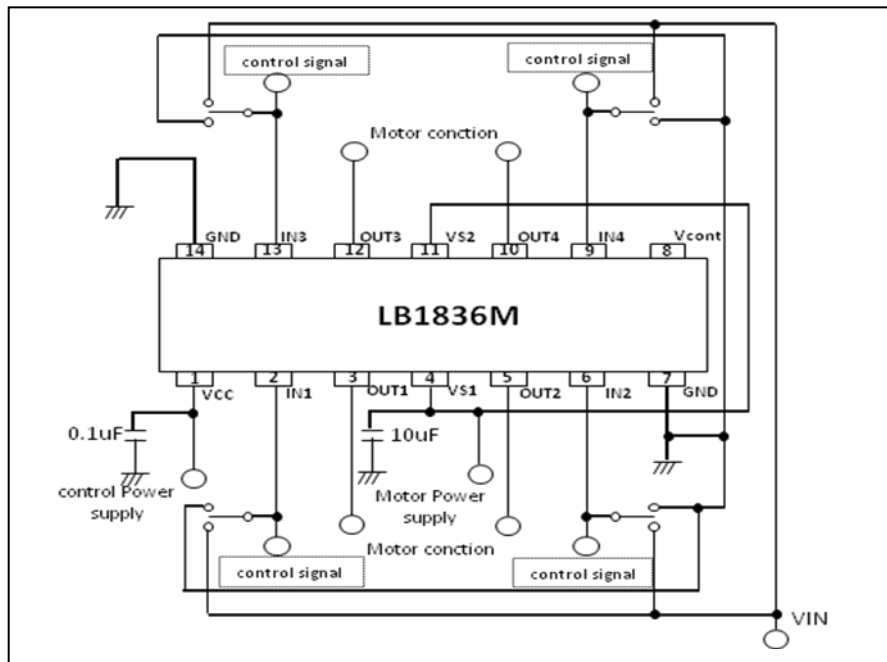
- Stepper motor driving waveform example



For DC motor:



(Circuit diagram of the evaluation board)



### Testing Procedure:

1. Connect a DC motor with OUT1, OUT2, or OUT3 and OUT4.
2. Connect the motor power supply with the terminal VCC and Vs.
3. Connect the GND line with the terminal GND.
4. DC motor drives it by inputting a signal such as follows into IN1 and IN2 and IN3 and IN4.
5. Check the stepper motor is rotating.

