



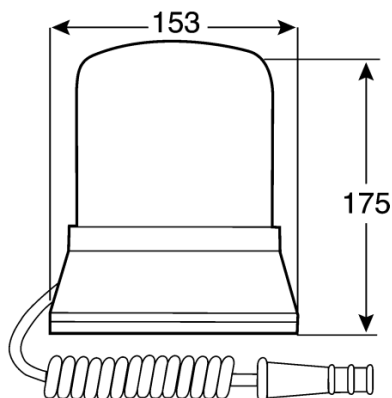
ENGLISH

Datasheet

Stock No: 235-534

RS Pro Xenon Beacon, Flashing, Base Mount, 10 → 30 V dc

Dimension(mm):



Product Details

14W Xenon Beacon

A high performance range suitable for 12/24V applications requiring maximum visibility e.g. construction, utility or agricultural vehicles

Vibration protected circuits

Reverse polarity protection

Supply voltage: 12/24Vdc

Current consumption: 2A / 1A @ 12/24V

Single or Double Flash operation possible

Flash Rate: 125 fpm

IP56 rated

Operating temperature range: -30°C to +50°C

Magnetic versions are rated to 70mph



ENGLISH

Note

Lens must be purchased separately.
DIN-mount stem only suitable for DIN mounting types.
Large cage guard only suitable for Three-point mounting type.

Approvals

ECE65 where Amber or Blue lens are used

Supplied with

Bulb

Specifications:

| | |
|---------------------|-------------------|
| Supply Voltage | 10 → 30 V dc |
| Light Effect | Flashing |
| Lens Colour | Lens Not Included |
| Mounting Style | Base Mount |
| Bulb Type | Xenon |
| Current Type | DC |
| Base Diameter | 153mm |
| Housing Colour | Black |
| Lamp Included | Yes |
| Series | V10992 |
| Height | 194mm |
| Minimum Temperature | -30°C |
| Maximum Temperature | +50°C |