



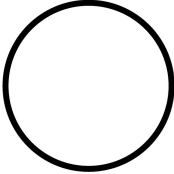
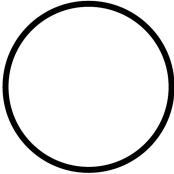
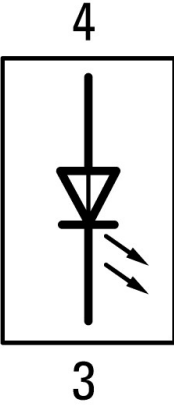
Indicator light; white; 24v; with cable 1m and M12A plug



Powering Business Worldwide™

Part no. C22-L-W-24-P5
Article no. 181059

Delivery programme

Product range			RMQ compact solution
Basic function			Indicator lights
Single unit/Complete unit			Complete unit
Design			Flat
Connection type			Cable (black) with M12A plug, 4 pole
Cable Length		m	1
Colour			
Lens			white
Lens			
LED			
LED			white
Rated operational voltage LED			24 V AC/DC
Degree of Protection			IP66, IP67, IP69K (front) IP65 (on rear)
Connection to SmartWire-DT			no
Contact sequence			


Technical data

General			
Standards			IEC/EN 60947-5-1 VDE 0660
Plug tightening torque		N/m	1
Tightening torque Threaded ring		Nm	2
Climatic proofing			Damp heat, constant, to IEC 60068-2-78 Damp heat, cyclic, to IEC 60068-2-30
Degree of Protection			IP66, IP67, IP69K (front) IP65 (on rear)
Mounting position			As required
Mechanical shock resistance, shock duration 11 ms		g	> 30

Contacts

Rated impulse withstand voltage	U_{imp}	V AC	4000
Rated insulation voltage	U_i	V	250
Overvoltage category/pollution degree			III/3
Rated conditional short-circuit current	I_q	kA	1

Switching capacity

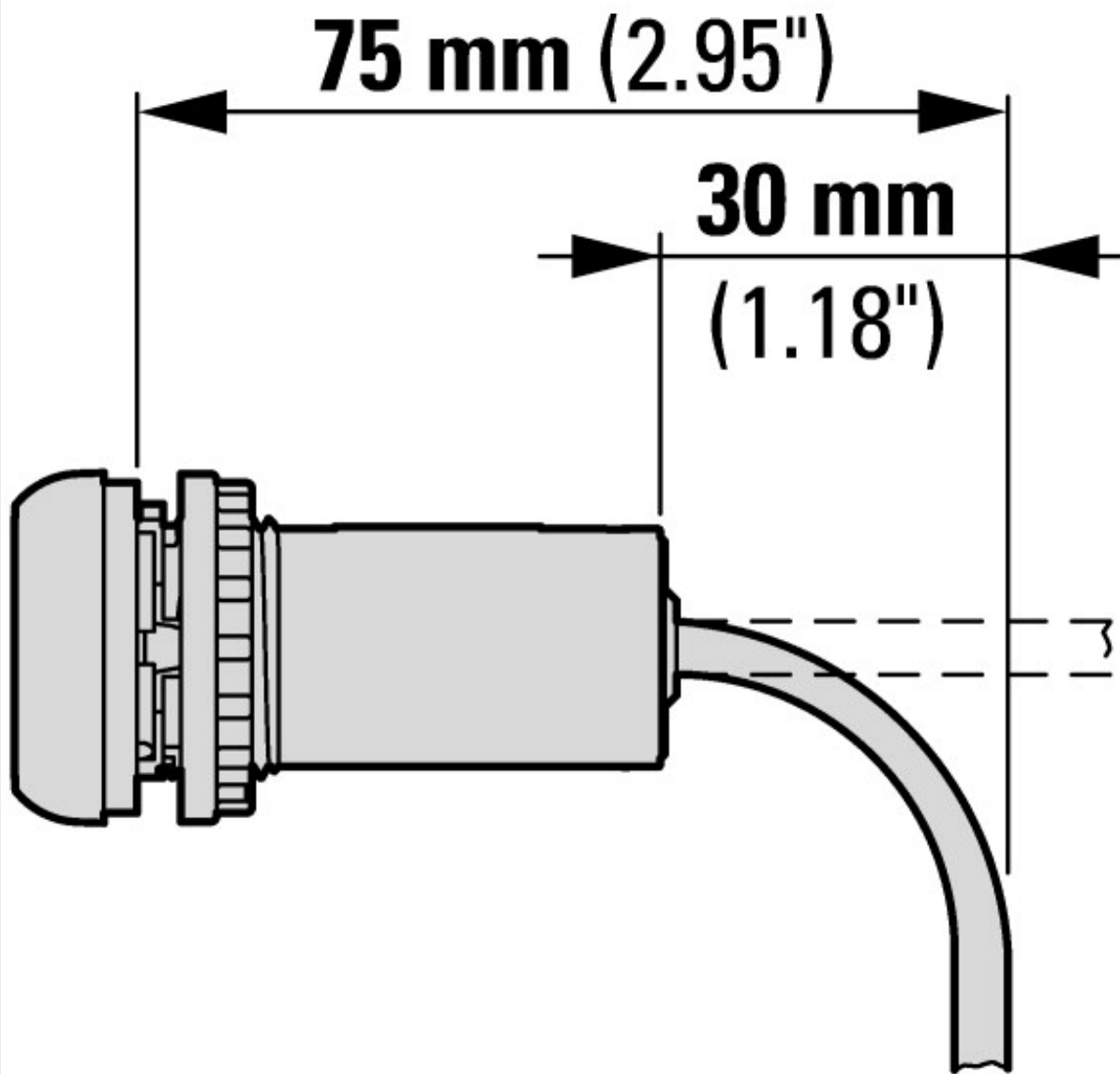
Cable characteristics			
Design			M12A
Cable Length		m	1
Material characteristic			PUR
Diameter		mm	4.7

Design verification as per IEC/EN 61439

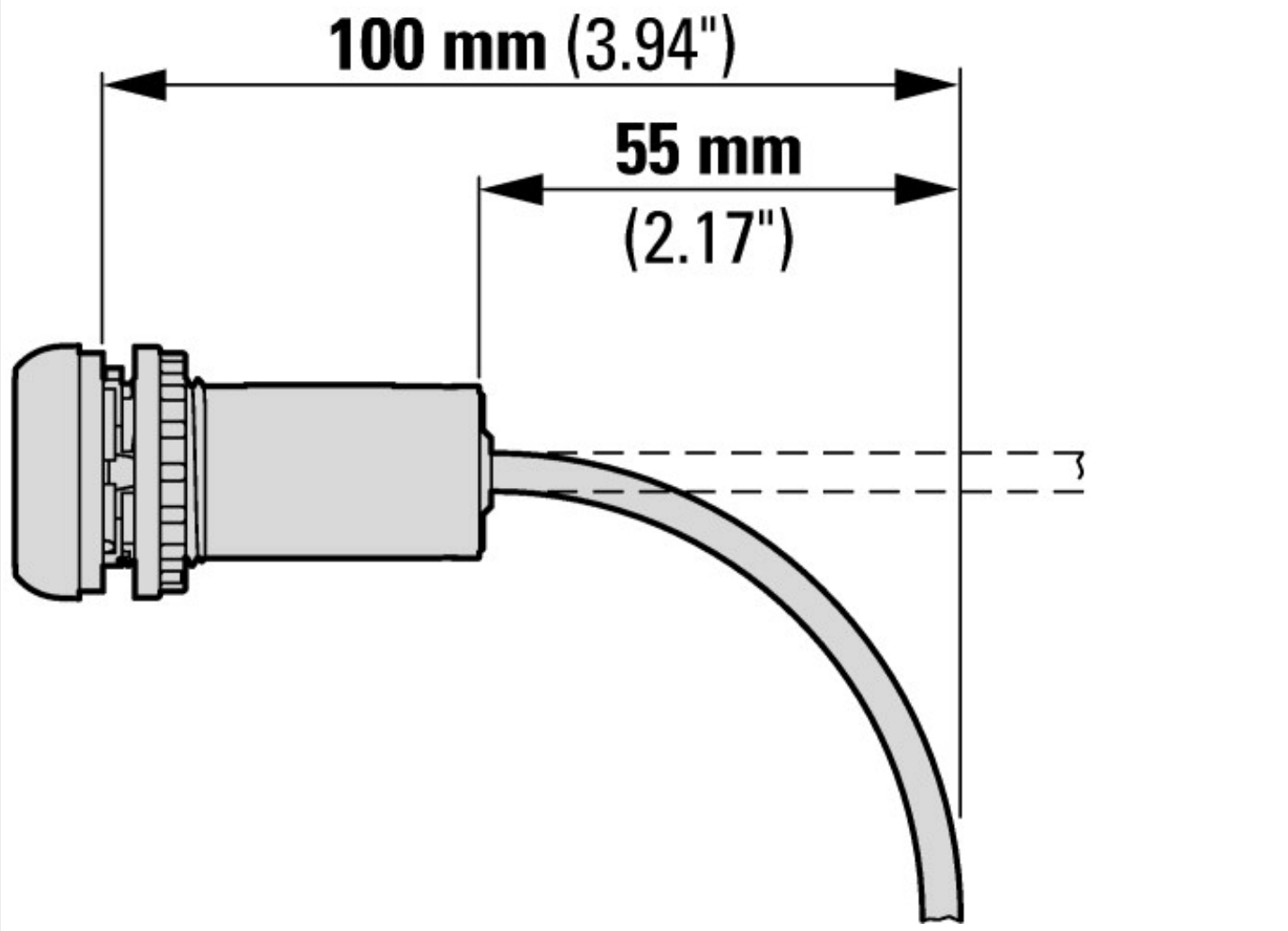
Technical data for design verification			
Operating ambient temperature min.		°C	-25
Operating ambient temperature max.		°C	70

Approvals

Product Standards			IEC/EN 60947-5-1; UL 508; CAN/CSA-C22.2 No. 14-05 und 94-M91; CE marking
UL File No.			E29184
UL Category Control No.			NKCR
CSA File No.			165628
CSA Class No.			321103
North America Certification			UL listed, CSA certified
Degree of Protection			1,3R,4X,12,13



Static: Fixed routing



Flexible use

Additional product information (links)

IL047016ZU RMQ compact solution

IL047016ZU RMQ compact solution	ftp://ftp.moeller.net/DOCUMENTATION/AWA_INSTRUCTIONS/IL047016ZU2016_05.pdf
---------------------------------	---