



ENGLISH

Datasheet

Stock No: 499-2032

RS Pro Stainless Steel Globe Valve, 3/8 in BSP 32 bar



Image representative of range

Product Details

Class 200 AISI 316 Valve

RS Screwed End Globe Valves used for regulating flow in a pipeline and available in a variety of sizes.

Features:

1/4"-2" (DN8-DN50)

W.P: 200WOG

W.T: -20°C-200°C (-4°F-392°F)

Investment casting

Thread type: ASME B1.20.1 (NPT), DIN 2999 & BS21, ISO7/1 & EN10226

Materials:

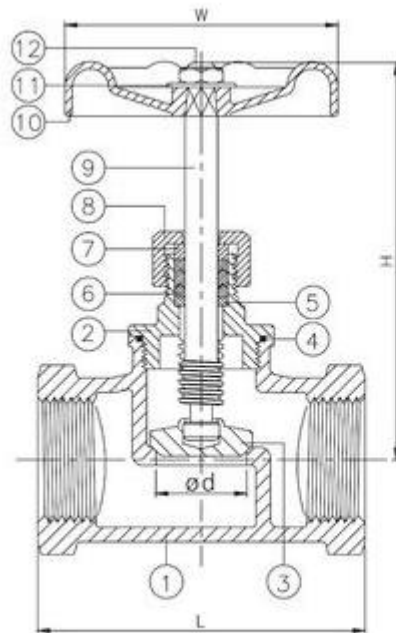
Body, Bonnet and Disc - ASTM A351-CF8M

Seal and Packing - PTFE

Washer, Gland Ring and Stem Nut - AISI 304

Cap Nut and Stem - AISI 316

Handle and Nameplate - Aluminium



mm

| DN | L | H | W | d | (kg) |
|----|-------|------|-------|----|------|
| 15 | 66 | 89.4 | 70 | 12 | 0.42 |
| 20 | 68.5 | 89.2 | 70 | 15 | 0.46 |
| 25 | 78.3 | 92.5 | 76.5 | 20 | 0.62 |
| 32 | 86 | 118 | 103.5 | 25 | 1.05 |
| 40 | 98 | 117 | 103.5 | 33 | 1.4 |
| 50 | 110.5 | 142 | 121 | 40 | 2.1 |

in

| NPS | L | H | W | d | (lb) |
|--------|------|------|------|------|------|
| 1/2" | 2.60 | 3.52 | 2.76 | 0.47 | 0.9 |
| 3/4" | 2.70 | 3.51 | 2.76 | 0.59 | 1.0 |
| 1" | 3.08 | 3.64 | 3.01 | 0.79 | 1.4 |
| 1-1/4" | 3.39 | 4.65 | 4.07 | 0.98 | 2.3 |
| 1-1/2" | 3.86 | 4.61 | 4.07 | 1.30 | 3.1 |
| 2" | 4.35 | 5.59 | 4.76 | 1.57 | 4.6 |

Globe Valves-Industrial Pipeline-Valves

Specifications:

| | |
|--------------------------|-----------------|
| Connection | 3/8 in BSP |
| Maximum Working Pressure | 32 bar |
| Body Material | Stainless Steel |
| Connection Gender | Female |
| Thread Size | 3/8in |
| Thread Standard | BSP |