



Datasheet

Stock number: 510-3867

ENGLISH

## RS Pro Gate Valve 2in

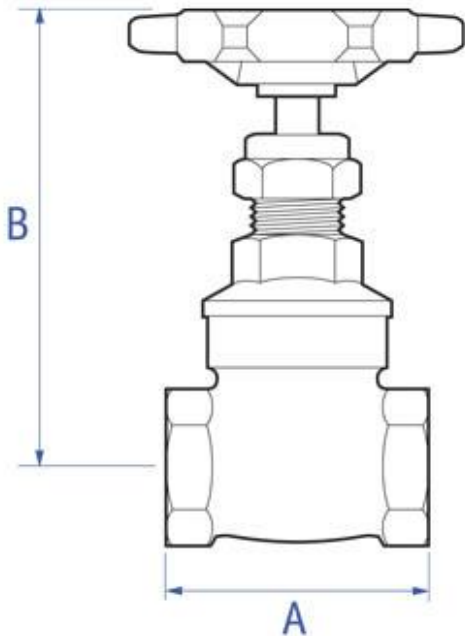


### Product details:

This 2in RS Pro Gate Valve is made from Bronze with a non-rising stem.



## Line Drawing:



A	B	Kg
90	170	2.28

## Specifications:

Size	2"
Kv m3/h	230.00
PED Categorisation	SEP
Valve suitability	<ul style="list-style-type: none"> <li>✓ Steam</li> <li>✓ Water</li> <li>✓ Oil</li> <li>x Air</li> <li>x Gas (inert)</li> <li>x Gas (Combustible)</li> <li>x Gas (Corrosive)</li> <li>x Gas (Oxygen)</li> </ul>
Thread Depths	25.7
Non-Shock Pressure @ Temp. Range	20 Bar – 10°C to 100°C
Non-Shock Pressure @ Max. Range	9 Bar at 180°C
Connection	2 in BSPT
Body Material	Bronze
Thread Standard or Connection Type	BSPT Female