

Datasheet

RS Pro Gender Change Sockets

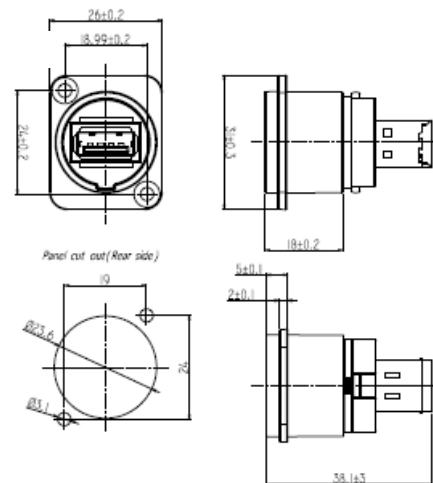
Description:

These gender change sockets are available in both USB2 AàB and BàA versions. Designed to accommodate the integration of USB2 data feeds into professional equipment for broadcast, lighting and audio applications.

Construction is of rugged zinc/nickel metal XLR housings fitting the universally popular 23.6mm diameter XLR panel cutouts. These connectors can be mounted at rear or front of panel.



124-6392 – USB A→B Gender change feedthrough socket, Black



124-6393 – USB2 B→A Gender change feedthrough socket, Black

