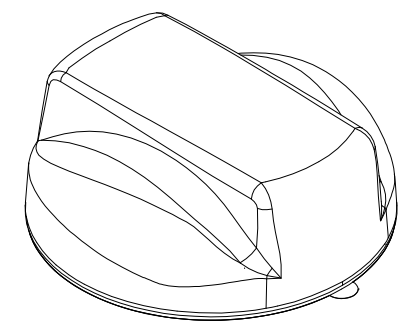


THIS DRAWING IS UNPUBLISHED. RELEASED FOR PUBLICATION FEB ,2006.
 © COPYRIGHT 2006 By - ALL RIGHTS RESERVED.

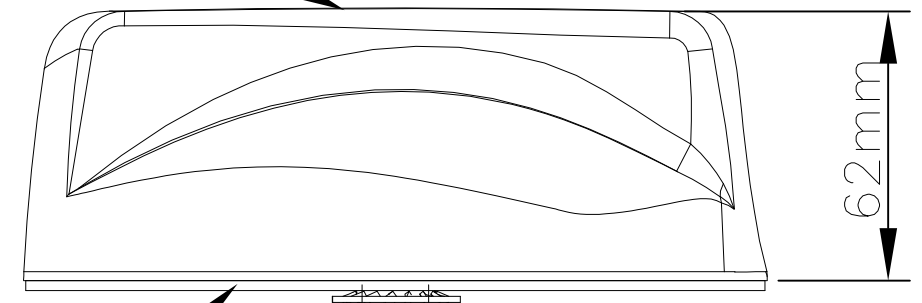
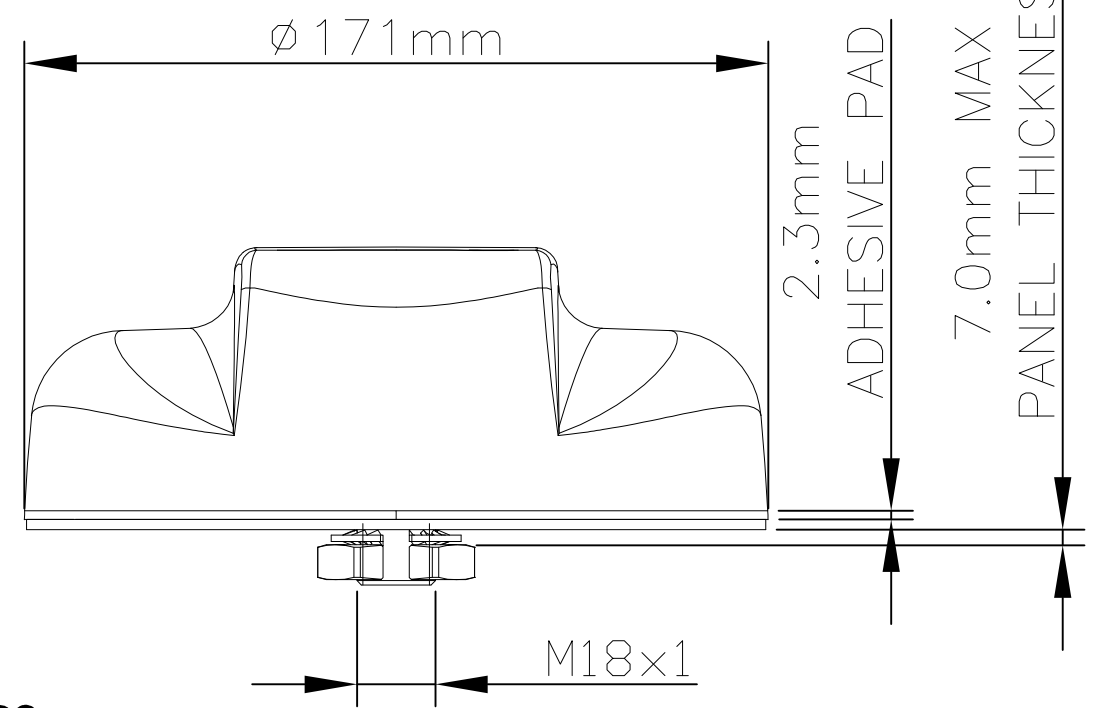
PROJECT	PRJ-16-000906992
PART NO	X-2823595-X
HV DESC	MiMo with GPS,LOW PROFILE,2G/3G/4G
CUSTOMER	GENERAL MARKET

P	LTR	DESCRIPTION	DATE	DWN	APVD
	A	FIRST RELEASE	20MAY16	GG	GG

HOUSING MOULDED IN WHITE A.S.A



ISO VIEW



BASE: ALUMINUM

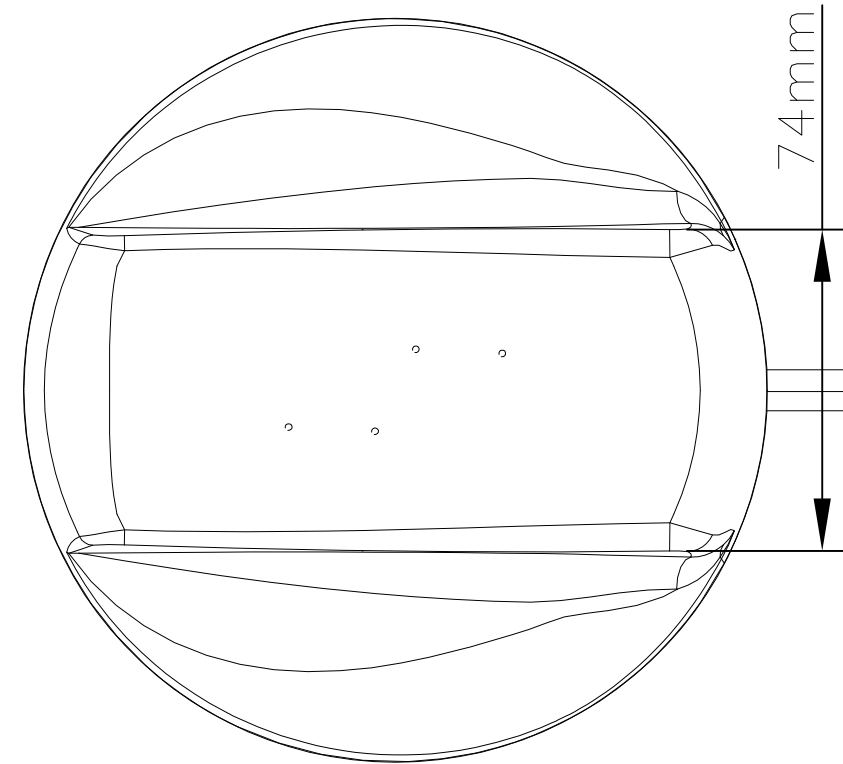
SLOTTED NUT AND SHAKE PROOF WASHER

CS29 COAX CABLE 300mm LONG (2 POSITIONS)

SMA PLUGS

RG174 COAX CABLE 300mm LONG


FME JACK



NOTES:

1. ALL PARTS MUST BE RoHS COMPLIANT AND MUST NOT CONTAIN ANY SUBSTANCES OF VERY HIGH CONCERN (SVHCs) LISTED UNDER REACH OR POLYAROMATIC HYDRACARBONS (PAHs) OR PERSISTENT ORGANIC POLLUTANTS (POPs) CONTROLLED BY THE STOCKHOLM CONVENTION.
2. WEIGHT 480g(Approx)
3. FOR INSTALLATION INSTRUCTIONS,PLEASE REFER 408-156027
- 4.OPERATING FREQUENCIES:
 CELL FEED 1: 698-960 / 1710-2700 MHz
 CELL FEED 2: 698-960 / 1710-2700 MHz
 GPS FEED 3: 1575 MHz 26dB LNA

1-2823595-2	MiMo with GPS,LOW PROFILE,2G/3G/4G	BLACK COLOR
1-2823595-1		WHITE COLOR
TE PN'S	DESCRIPTION	REMARKS

THIS DRAWING IS A CONTROLLED DOCUMENT.		DWN	GUNA	20MAY2016	 TE Connectivity
		CHK	GUNA	20MAY2016	
		APVD		04MAR2016	
		PRODUCT SPEC			
		APPLICATION SPEC			NAME
					TRANSIT ANTENNA
					MiMo with GPS,LOW PROFILE,2G/3G/4G
		SIZE	CAGE CODE	DRAWING NO	RESTRICTED TO
		A3	00779	C-2823595	-
		CUSTOMER DRAWING		SCALE	NTS
		SHEET		1 OF 1	REV
					A