

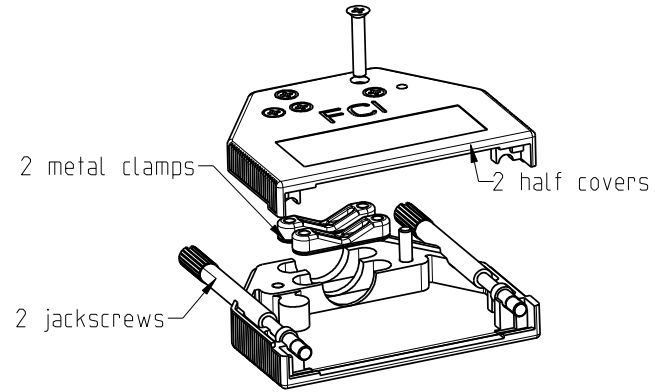
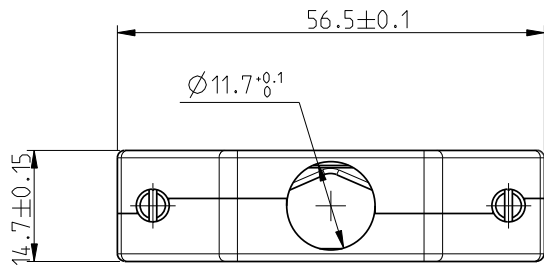
SIZE	Part Number	Jack Screw Thread	Packing
25	8655MH2501LF	UNC 4-40	bulk : Qty 60
	8655MH2511LF		individual set 50 sets/carton
	8655MH2502LF	M3	bulk : Qty 60
	8655MH2512LF		individual set 50 sets/carton

NOTE:RoHS INFORMATIONS

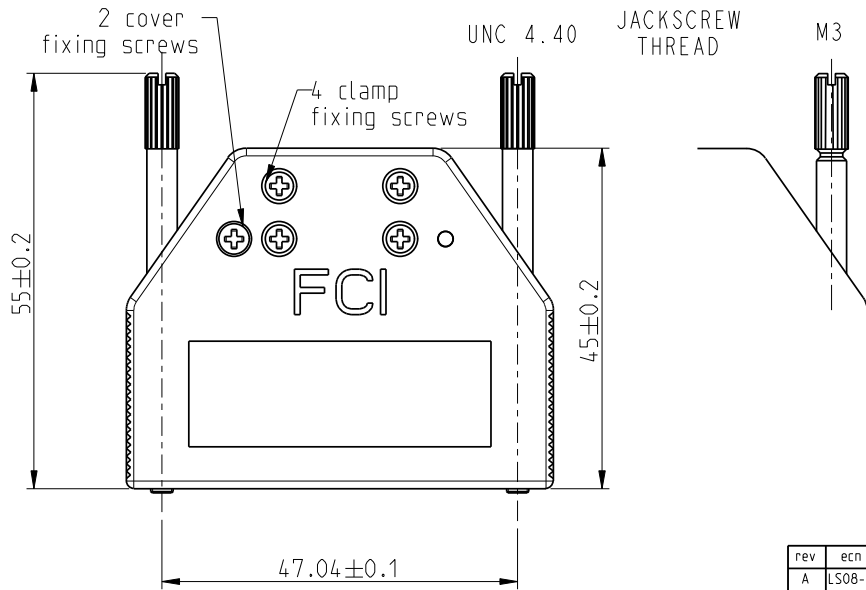
-The LF product meets European union Directives and other country regulations as described in GS-22-009

-The product is not intended to be exposed to a manufacturing solder process

-Packaging spec:see GS-14-920



SCALE 1:1



NOTES : for every sizes

Material and finish : Zinc die-cast  
nickel plated

Cable strain relief : Zinc die-cast

Jackscrew : Steel,nickel plated  
UNC 4-40 or M3 (see tables)

Temperature range : -55°C to +125 °C

Attenuation factor : >40 dB between 10 MHz

Other size details : see on next pages.

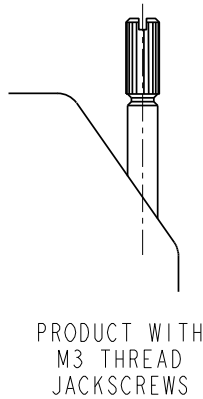
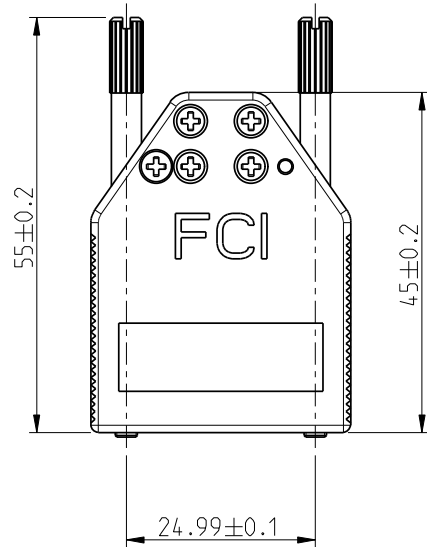
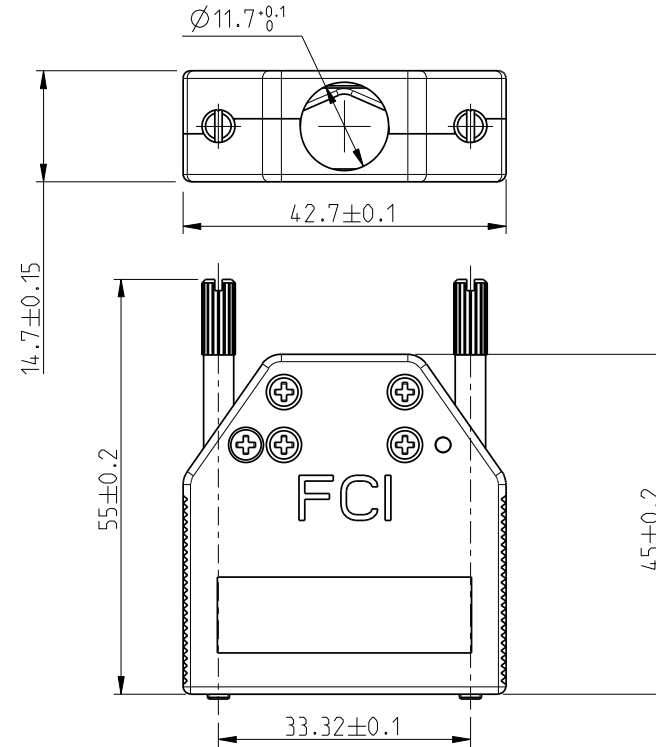
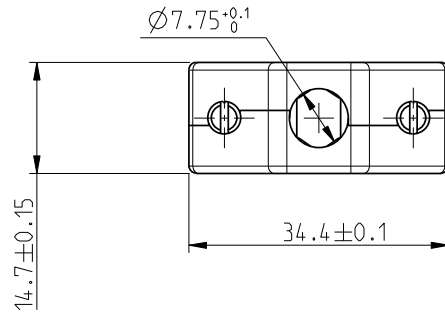
Copyright FCI.

rev	ecn no	dr	date
A	LS08-0058	MPE	2008/02/21
B	F11-0066	APA	2011/05/30
-	-	-	-
-	-	-	-

www.fciconnect.com		surface - <input checked="" type="checkbox"/> ISO 1302	tolerance std <input checked="" type="checkbox"/> ISO 406 <input type="checkbox"/> ISO 1101	projection	mm
		TOLERANCES UNLESS OTHERWISE SPECIFIED			Scale 3:2
Dr	M PESSON	2008/02/19	ANGULAR	0.x ±/	size A3
Eng	M PESSON	2008/02/19	LINEAR	0.xx ±/	ECN F11-0066
Chr	P LEGARE	2008/02/19	0° ±/°	0.xxx ±/	Spec ref
Appr	P LEGARE	2008/02/19	Product family	-	
		title STRAIGHT METAL HOODS		dwg no C-8655-1685C	Rev. B
		WITH 2 METAL CLAMPS		CUSTOMER	sheet 1 of 4
		catalog no			

SIZE	Part Number	Jack Screw Thread	Packing
09	8655MH0901LF	UNC 4-40	bulk : Qty 80
	8655MH0911LF		individual set 50 sets/carton
	8655MH0902LF	M3	bulk : Qty 80
	8655MH0912LF		individual set 50 sets/carton

SIZE	Part Number	Jack Screw Thread	Packing
15	8655MH1501LF	UNC 4-40	bulk : Qty 80
	8655MH1511LF		individual set 50 sets/carton
	8655MH1502LF	M3	bulk : Qty 80
	8655MH1512LF		individual set 50 sets/carton



www.fciconnect.com			surface ISO 1302	- ✓	tolerance std ISO 406 ISO 1101	projection mm	mm
TOLERANCES UNLESS OTHERWISE SPECIFIED						size A3	Scale 3/2
Dr	M PESSON	2008/02/19	ANGULAR	LINEAR	0.x	±/	ECN F11-0066
Eng	M PESSON	2008/02/19	0°	±°	0.xx	±/	Spec ref
Chr	P LEGARE	2008/02/19	Product family		0.xxx	±/	
Appr	P LEGARE	2008/02/19					
Title STRAIGHT METAL HOODS WITH 2 METAL CLAMPS			Title		C-8655-1685C		Rev. B
catalog no			-		CUSTOMER		sheet 2 of 4

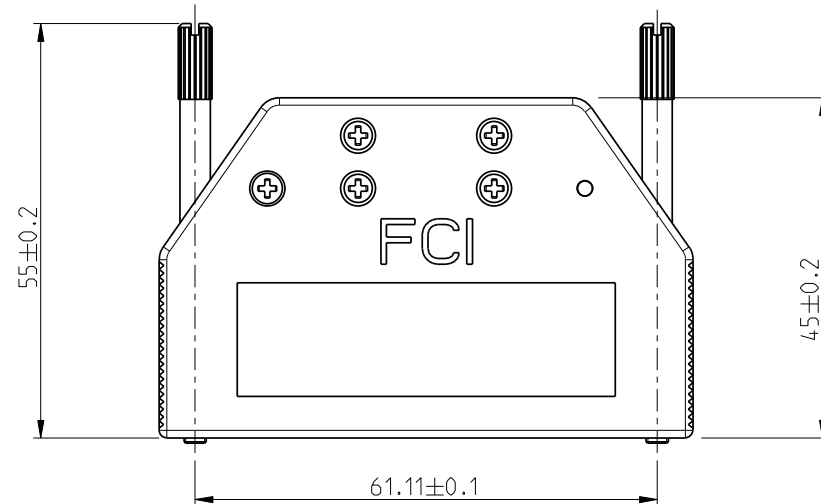
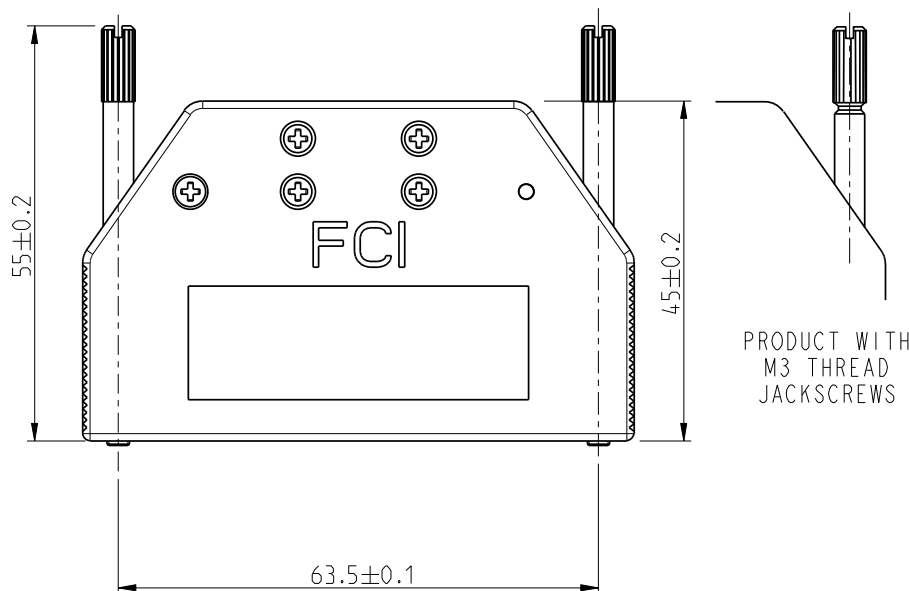
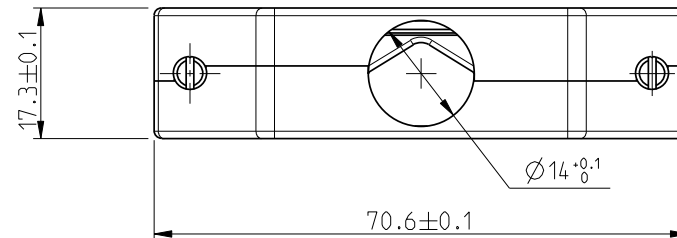
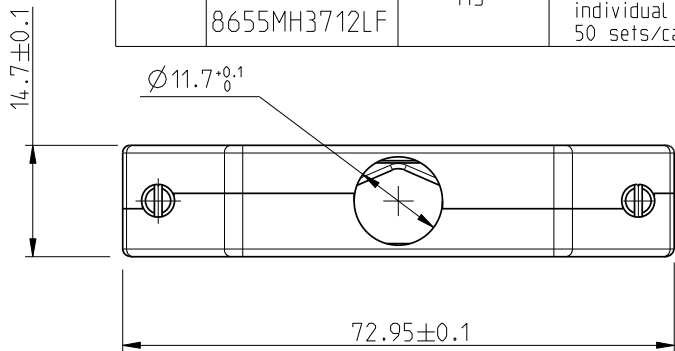
REV E - 2006-03-28

Copyright FCI.



SIZE	Part Number	Jack Screw Thread	Packing
37	8655MH3701LF	UNC 4-40	bulk : Qty 40
	8655MH3711LF		individual set 50 sets/carton
	8655MH3702LF	M3	bulk : Qty 40
	8655MH3712LF		individual set 50 sets/carton

SIZE	Part Number	Jack Screw Thread	Packing
50	8655MH5001LF	UNC 4-40	bulk : Qty 40
	8655MH5011LF		individual set 50 sets/carton
	8655MH5002LF	M3	bulk : Qty 40
	8655MH5012LF		individual set 50 sets/carton



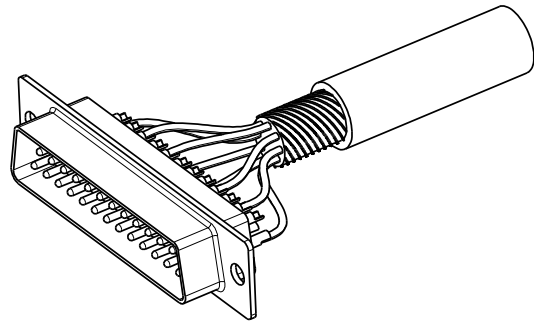
Copyright FCI.

REV E - 2006-03-28

www.fciconnect.com			surface ISO 1302	- ✓	tolerance std ISO 406 ISO 1101	projection mm	mm		
TOLERANCES UNLESS OTHERWISE SPECIFIED						size A3	Scale 3/2		
Dr	M PESSON	2008/02/19	ANGULAR	LINEAR	0.x		±/	ECN F11-0066	
Eng	M PESSON	2008/02/19	0.xx		±/	Spec ref			
Chr	P LEGARE	2008/02/19	0.xxx	0° ±°		Product family			
Appr	P LEGARE	2008/02/19	Product family			- Spec ref			
FCI		Title STRAIGHT METAL HOODS WITH 2 METAL CLAMPS				dwg no	C-8655-1685C		Rev. B
catalog no		-				CUSTOMER	sheet 3 of 4		

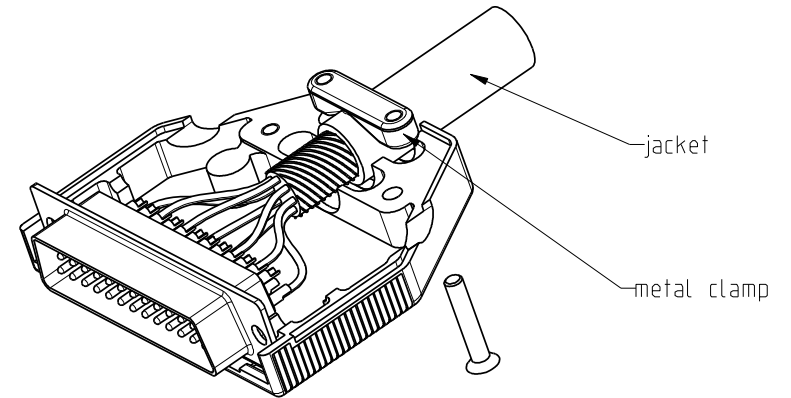
# CABLING INSTRUCTIONS

1- Strip the cable and solder or crimp the wires



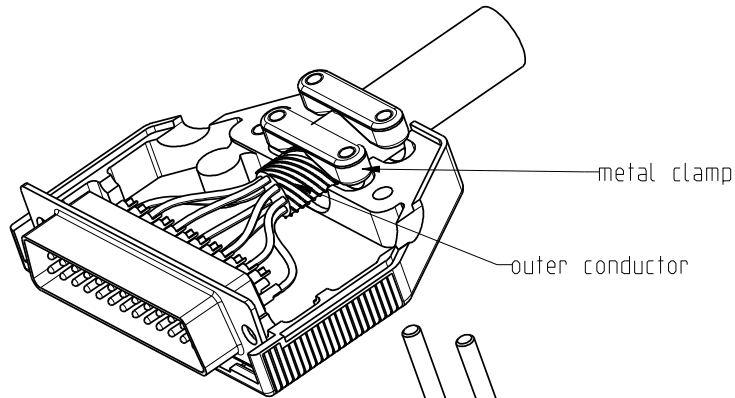
SCALE 3:2

2-Put the connector into a half hood and tighten the jacket with a metal clamp



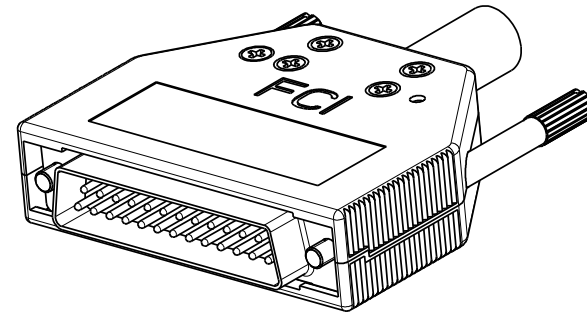
SCALE 3:2

3-To get the electrical continuity between the cable outer conductor and the hood tighten the outer conductor with the other metal clamp as shown



SCALE 3:2

4-Mount the jackscrews, the other half hood and tighten with 2 screws



Copyright FCI.

www.fciconnect.com			surface ISO 1302	- ✓	tolerance std ISO 406 ISO 1101	projection mm	mm	
TOLERANCES UNLESS OTHERWISE SPECIFIED						size A3	Scale 3:2	
Dr	M PESSON	2008/02/19	ANGULAR	LINEAR	0.x		±/	ECN F11-0066
Eng	M PESSON	2008/02/19	0° ±/°		0.xx	±/	Spec ref	
Chr	P LEGARE	2008/02/19	Product family		0.xxx	±/	Rev. B	
Appr	P LEGARE	2008/02/19					sheet 4 of 4	
Title		STRAIGHT METAL HOODS WITH 2 METAL CLAMPS				dwg no		C-8655-1685C
catalog no						CUSTOMER		