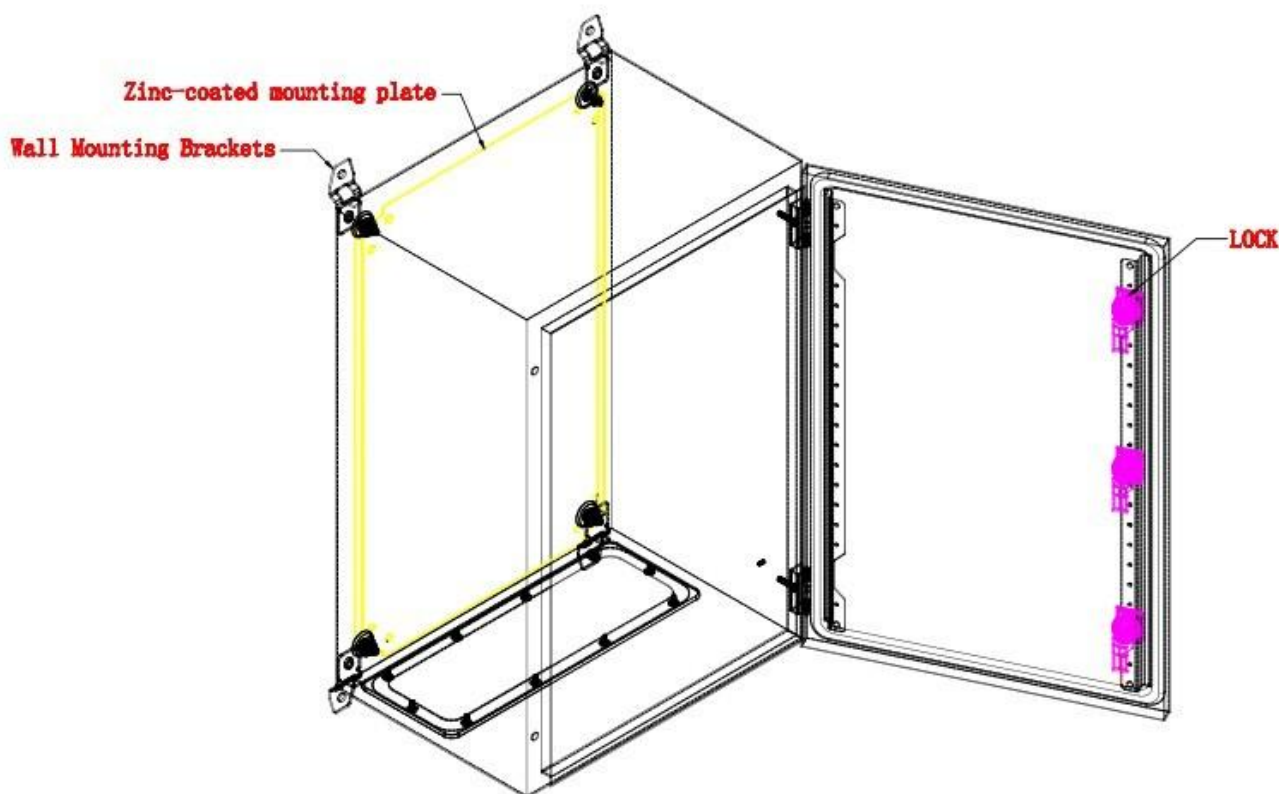




# Data sheet

ENGLISH



**Application:** Distribution box is used for Electricity reasonable distribution, convenient opening and closing operation of circuit with a higher level of security protection, can be intuitive show conducting state of circuit. when circuit malfunction happened, it is helpful for maintenance.

**Supply Includes:** Enclosure and door mounting plate, 3 lock system, gland plate, sealing gasket and fixing accessories.

**Standard Configuration:** Paint finish epoxy polyester powder coating textured finish

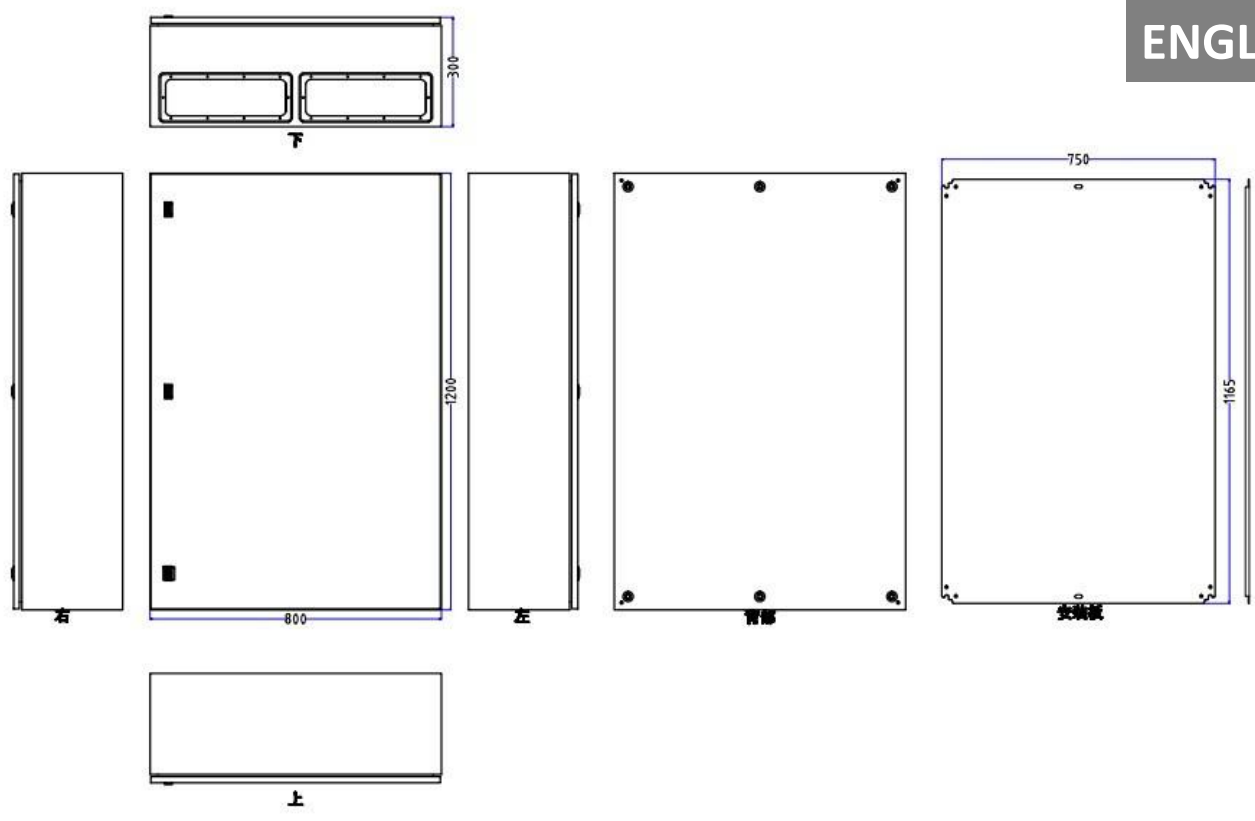
**Color:** RAL7032 or RAL7035

**Protection degree:** IP66

**Against mechanical impacts:** IK10

**Thickness:** Enclosure & door; sheet steel 1.2mm till size ST6 820 then 1.5mm

**Mounting plate:** zinc-coated steel 1.5mm till size ST6 820 then 2.0mm



Stock No.	Description	Length	Width	Height	Body / Door thickness (mm)	Zinc-coated MP thickness (mm)	Gross Weight
7755366	Mild Steel IP66 Wall Box, 1000x600x260mm, RAL7032, Wall Mounting Brackets :4mm	1000	600	260	1.5	2	28.94
7755375	Mild Steel IP66 Wall Box, 1000x800x260mm, RAL7032, Wall Mounting Brackets :4mm	1000	800	260	1.5	2	36.77
7755372	Mild Steel IP66 Wall Box, 1200x600x300mm, RAL7032, Wall Mounting Brackets :4mm	1200	600	300	1.5	2	35.56
7755378	Mild Steel IP66 Wall Box, 1000x800x300mm, RAL7032, Wall Mounting Brackets :4mm	1000	800	300	1.5	2	38.26
7755381	Mild Steel IP66 Wall Box, 1200x800x300mm, RAL7032, Wall Mounting Brackets :4mm	1200	800	300	1.5	2	44.9