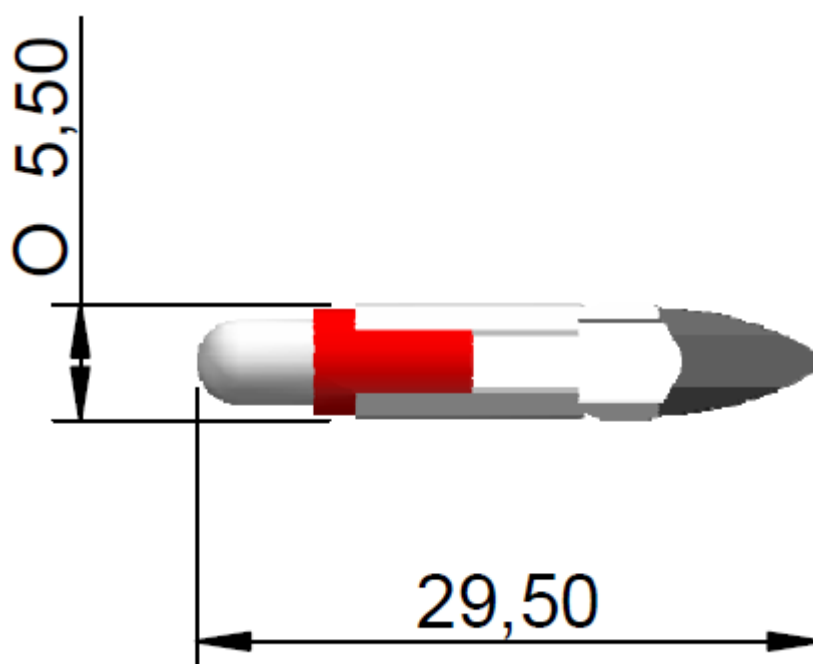


Datasheet

Telephone Slide LED Indicator Lamp

RS Stock number 203-701

Dimensions (mm):



LED/Multiled	LED	Optimum voltage (V)	24vdc	Intensity	1500mcd
Mounting Size		Rectifier			
Mounting Finish		AC current			
Protection		DC current	15mA		
Mount Holder	T5.5 Slide Base	Voltage Tolerance(%)	10%		
Chip Qty	1	Optimum temperature (°C)	-30°C...+60°C		
Indicator colour	White	Storage temperature (°C)	-30°C...+60°C		
Wavelength (nm)		Contact Tab x 2	T5.5 Slide Base		



Dimension in mm (typical), not to scale.
We reserve the right to make changes without further notice to this product to improve reliability, function or design.