

# Data sheet

## 519-258

Level Sensor



ENGLISH

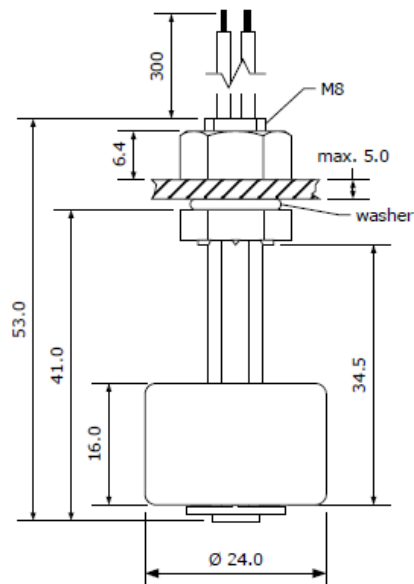
### Electrical Characteristics

@25°C

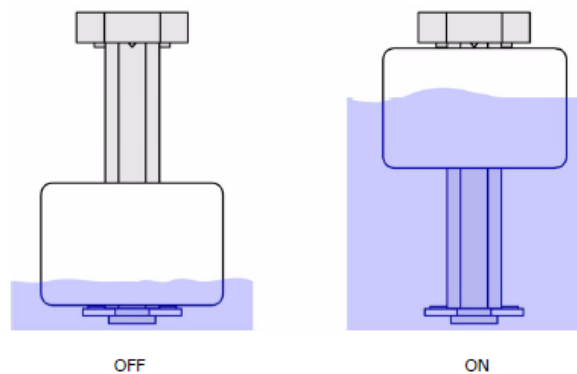
Contact form (ASA)		A
Contact material		Ru
Contact rating max.	W / VA	50
Switching current max.	A	1.5
Carry current max.	A	2.0
Switching voltage max.	VDC	200
	VAC	250
Breakdown voltage min.	VDC	400

### Dimensions

in mm



### Operating diagram



### Temperature Range

Operating temperature	°C	-20 to +80
Storage temperature	°C	-30 to +80

### Material

Case / Nut	PP
Float	PP
Washer	TEP
Potting compound	Epoxy
Cable	UL 1007, AWG 24

### Testing

- Sensors tested 100% for electrical function and operating distance

### Remarks

- When mounted near ferromagnetic parts switching points may vary