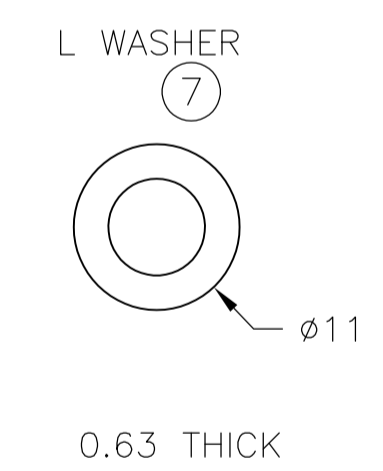
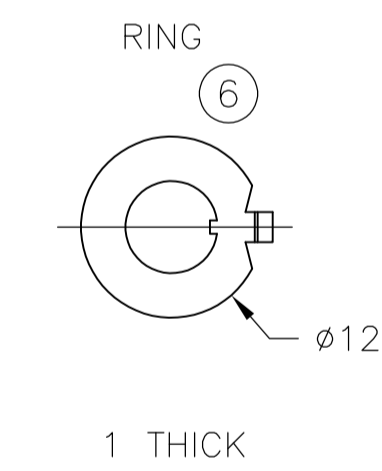
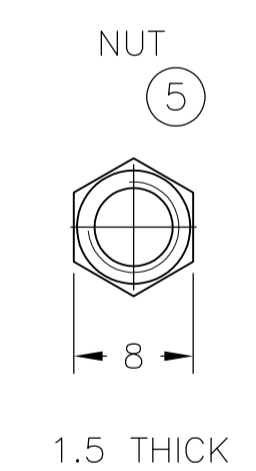
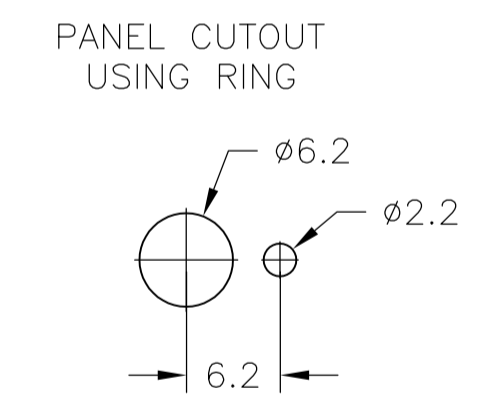
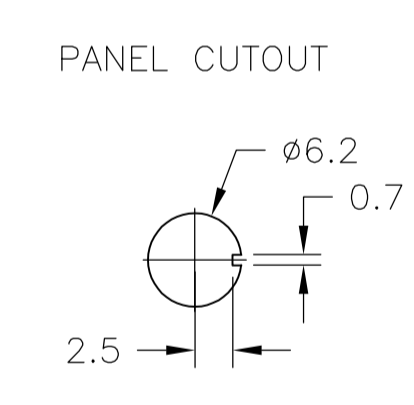
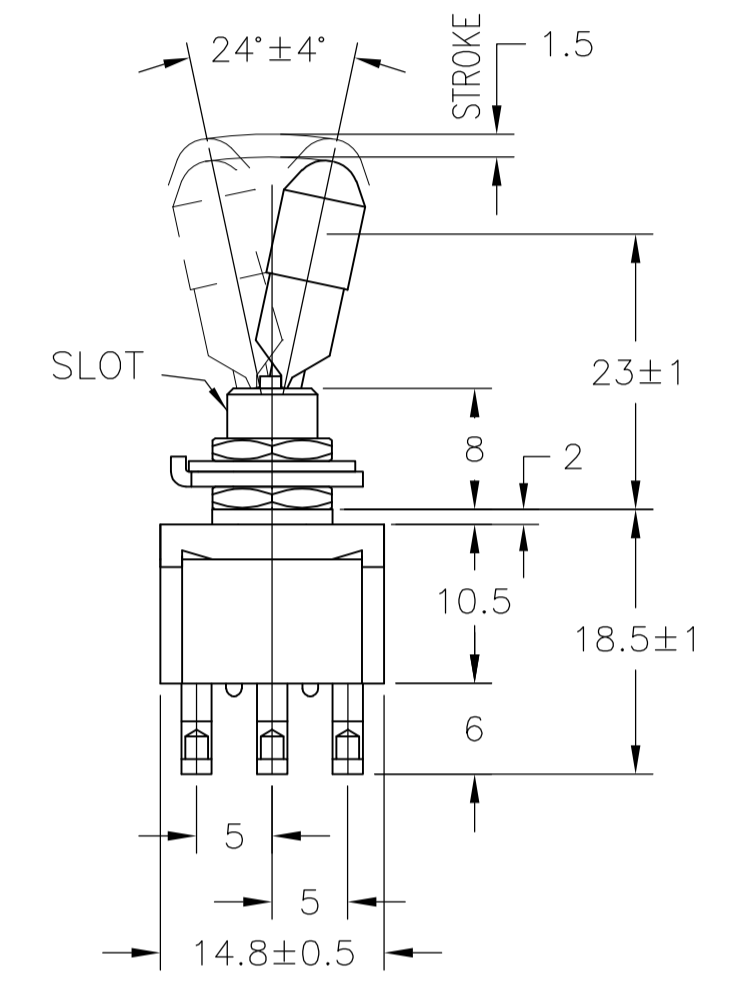
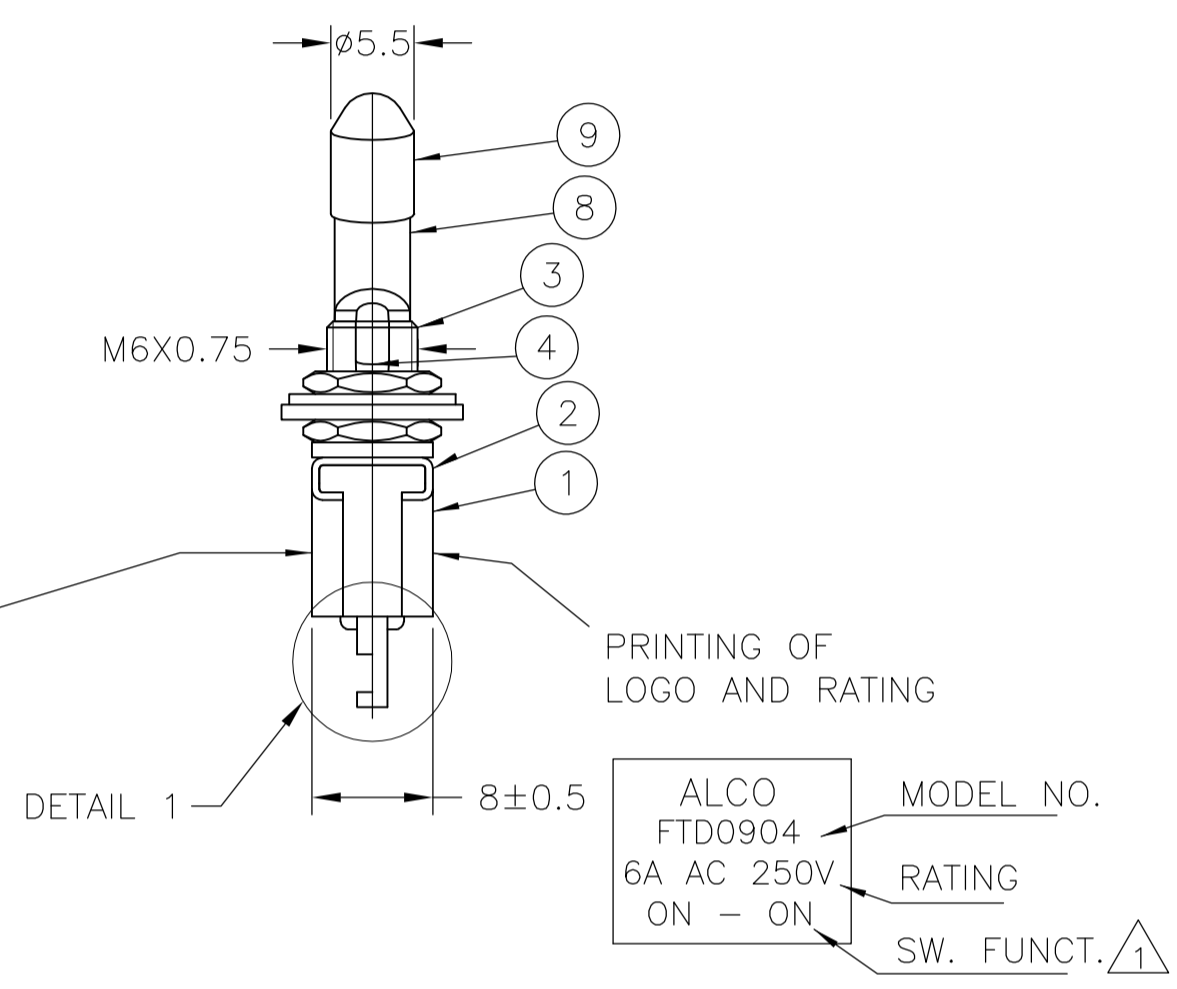


| TE PN | PART | TERMINALS 2 AND 3 | TERMINALS 1 AND 2 |
|-------------|----------|-------------------|-------------------|
| 1-6437630-5 | FTD5904 | ON | ON |
| 4-6437630-0 | FTD59G04 | ON | ON |

DATE CODE PRINTING LAST DIGIT OF YEAR
 A-L = JANUARY TO DECEMBER DAY



- 1 0.5VA NO SWITCH FUNCTION WILL BE MARKED BUT WILL BE MARKED GOLD CON.
- 2 OPERATING TEMPERATURE -20°C TO +70°C
- 3 ALL MATERIALS AND FINISHES COMPLY WITH RoHS DIRECTIVE



| MATERIALS CHART | | | |
|----------------------|------------------|-----------|---------|
| Ep-Cu/Ni3b | C3602BD | CAP | 9 |
| Ep-Cu/Ni3b | C3602BD | HOLDER | 8 |
| Ep-Fe/Cu2,Ni4b | SK-5 | L WASHER | 7 |
| Ep-Fe/Cu2,Ni3b | SPCC | RING | 6 |
| Ep-Cu/Ni3b | C3602BD | NUT | 5 |
| Ep-Cu/Ni3,Cr1b | C3602BD | ACTUATOR | 4 |
| Ep-Cu/Ni3b | C3602BD | BUSHING | 3 |
| | SUS | FRAME | 2 |
| | POLYESTER RESIN | CASE | 1 |
| OPTIONAL DESCRIPTION | MATERIAL/SURFACE | PART NAME | PART NO |

| 4-6437630-0 | FTD59G04 | C3602BD Ep-Cu/Ni3,Au1b | C3602BD Ep-Cu/Ni3,Au1b | 20V AC/DC 0.4VA MAX | MAX 10 MILLIOHMS AT DC 2 ~ 4V 0.1A | MIN 1000 M Ohms AT DC 500V | AC 1KV/1MIN (AC 1.2KV/1SEC) | ELECTRICALLY 50,000 CYCLES AT 20 CYCLES/MIN (RATED LOAD RESISTIVE) MECHANICALLY 100,000 CYCLES AT 20 CYCLES/MIN |
|-------------|----------|---|---------------------------|--------------------------|---------------------------------------|----------------------------------|--------------------------------|---|
| 1-6437630-5 | FTD5904 | 99,8% Silver + C3602BD Ep-Cu/Ni3,AuFb | C3602BD Ep-Cu/Ni3,AuFb | AC 125V 6A AC 250V 6A | MAX 10 MILLIOHMS AT DC 2 ~ 4V 1A | | | |
| TE PN | PART | F CONTACT | COMMON | RATING | INITIAL CONTACT RESISTANCE | INSULATION RESISTANCE | DIELECTRIC STRENGTH | ENDURANCE |

| CONTACT MATERIAL | | | | SPECIFICATIONS | | | | |
|------------------|--|--|--|----------------|--|--|--|--|
|------------------|--|--|--|----------------|--|--|--|--|

| | | | | | |
|--|--|-------------------------------|--|--|--|
| THIS DRAWING IS A CONTROLLED DOCUMENT. | | DIN RAGHAVENDRA 02AUG10 | | NAME | |
| DIMENSIONS: mm | | CHK MICHAEL WILBOURN 02AUG10 | | TOGGLE SWITCH F-SERIES SP LOCKING LEVER | |
| TOLERANCES UNLESS OTHERWISE SPECIFIED: | | APPD MICHAEL WILBOURN 02AUG10 | | SIZE CASE CODE DRAWING NO | |
| 0 PLC ± - | | PRODUCT SPEC | | A1 00779 C=1968512 | |
| 1 PLC ± - | | APPLICATION SPEC | | RESTRICTED TO | |
| 2 PLC ± - | | WEIGHT | | SCALE 1:1 SHEET 1 OF 1 REV B1 | |
| 3 PLC ± - | | CUSTOMER DRAWING | | | |
| 4 PLC ± - | | | | | |
| ANGLES ± ± | | | | | |
| FINISH | | | | | |