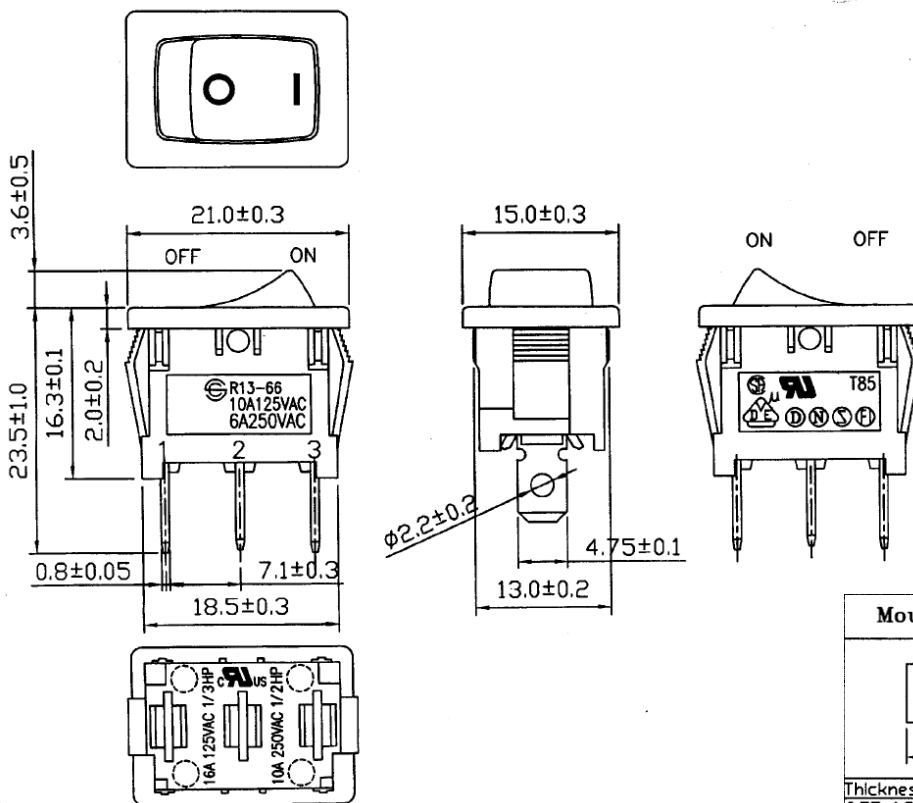


Datasheet

Illuminated Red SPST Rocker Switch

RS Stock number [419-782](#)

Dimensions: (mm)



Material:
 Frame: Nylon# 66, Black
 Actuator: PC, Red
 Printed: None

Mounting Hole		Circuit Diagram													
<table border="1"> <thead> <tr> <th>Thickness</th> <th>X</th> <th>Y</th> </tr> </thead> <tbody> <tr> <td>0.75...1.25</td> <td>19.2-0.1</td> <td>13.2+0.1</td> </tr> <tr> <td>1.25...2</td> <td>19.4-0.1</td> <td>13.2+0.1</td> </tr> <tr> <td>2...3</td> <td>19.8-0.1</td> <td>13.2+0.1</td> </tr> </tbody> </table>		Thickness	X	Y	0.75...1.25	19.2-0.1	13.2+0.1	1.25...2	19.4-0.1	13.2+0.1	2...3	19.8-0.1	13.2+0.1		
Thickness	X	Y													
0.75...1.25	19.2-0.1	13.2+0.1													
1.25...2	19.4-0.1	13.2+0.1													
2...3	19.8-0.1	13.2+0.1													

Specifications

- Rating: 10A, 125V, 6A, 250V AC
- Contact R: 50m ohm Max
- Insulation R: DC 500V 100M ohm Min
- Dielectric Strength: AC 1500V 1 minute
- Operating Temperature: -20 ~ 85
- Circuit: 3P SPST ON-OFF