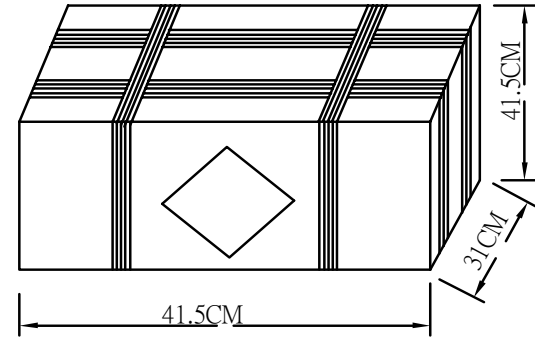
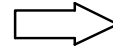
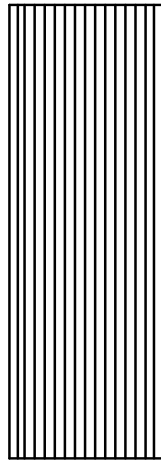
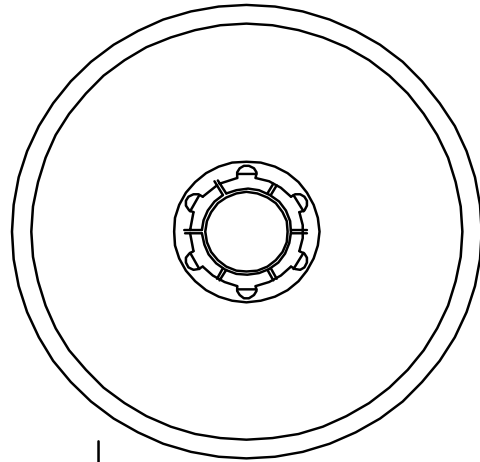
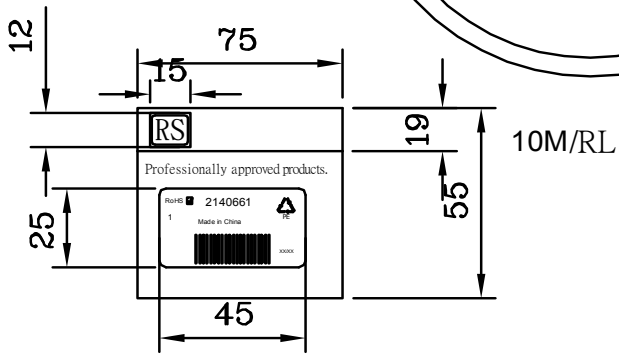


2140661

客戶料號	3010220040	
PITCH		
客戶代碼	C395	



Q'TY: 28 PCS
CARTON: 415*310*415MM



1	310000000773	415*310*415MM	1/28	PCS
2	310010000225	box:200*200*40mm	1	PCS
3	3300100233XX	LABEL:"75*55MM"	1	PCS
4	D1CB000X1	LABEL:297*210MM	1/28	PCS
5	E200801001	PE-BAG:8"*10"*0.06MM	1	PCS
6	1104100093	rainbow cable :26AWG,10C,UL1007	10	M

	ITEM: 2140661	REV: A
	DRAW BY: EMILY	SCALE: NONE
CHECK BY:	CUSTOMER:	
APP BY:	CUSTOMER P/N:	

ALL DIMENSIONS IN mm