



ENGLISH

# Datasheet Spin-On Filter Head and Filter

RS Stock number 512-588



## Technical Data

### Construction

- In-line Spin-On filter head

### Material

- Aluminium

### Port Connection

- BSP

### Flow Rate

- 90 l/min / 25 US GPM for return line application
- 23 l/min / 6 US GPM for suction line application

### Operating Pressure

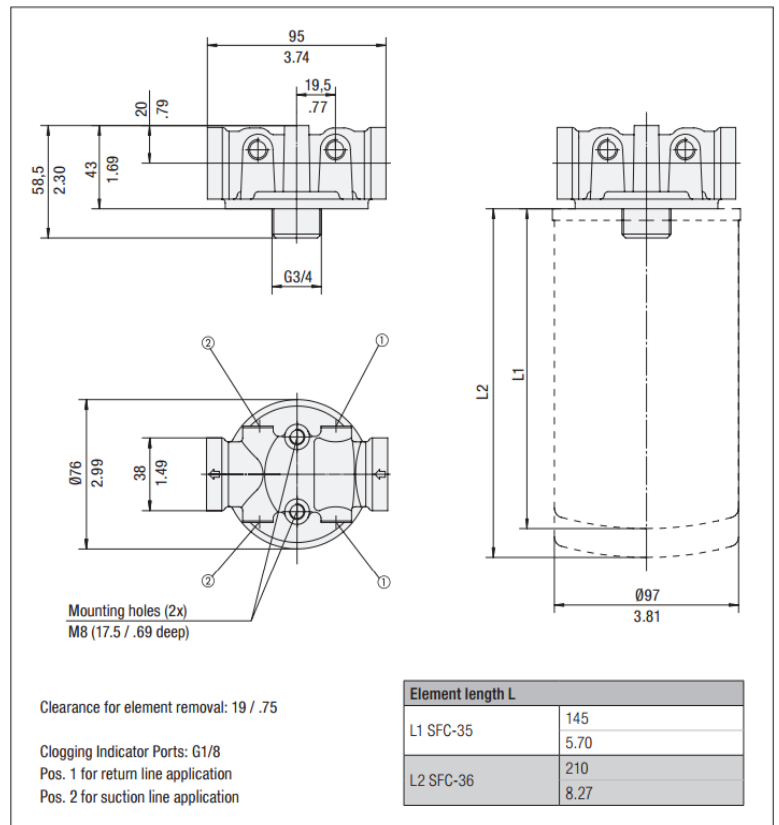
- Max. 12 bar / 174 PSI
- Max. 5 bar / 72.5 PSI differential pressure (for any applicaton with no bypass valve)

### Temperature Range

- -32 °C ... +100 °C / -25 °F ... +212 °F

### Media Compatibility

- Mineral oils, other fluids on request





**Technical Data**

**Connection Thread**

- G3/4

**Operating Pressure**

- Max. 12 bar / 174 PSI

**Burst Pressure**

- Min. 20 bar / 290 PSI

**Temperature Range**

- -32 °C ... +100 °C / -25 °F ... +212 °F

**Seal Contour**

- Type A (see page C123)

**Differential Pressure**

- Paper: Max. 5 bar / 72.5 PSI
- Glass Fibre / Wire Mesh: Max. 10 bar / 145 PSI

**Bypass Pressure**

- 1,7 bar / 25 PSI (only SFCT-series)

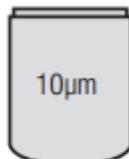
**Media Compatibility**

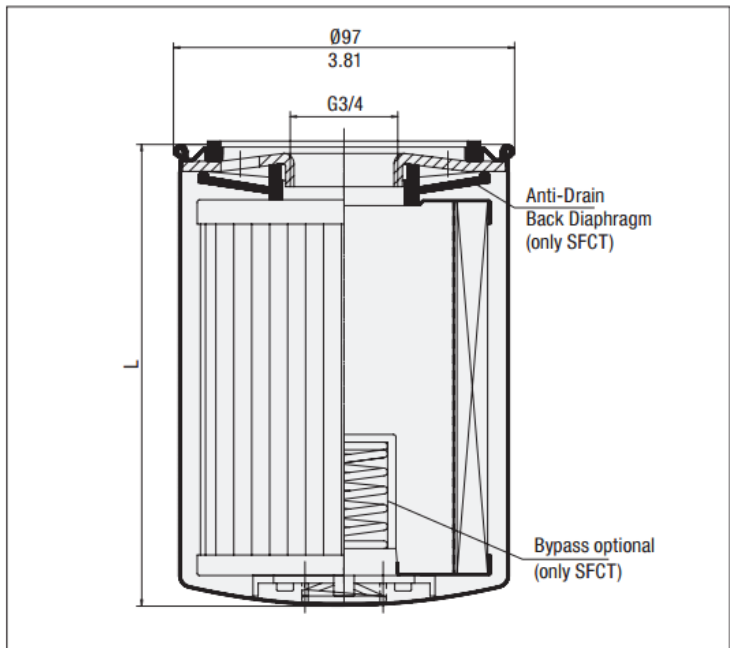
- Mineral oils, other fluids on request

**Sealing Material**

- NBR (Buna-N®)

(for any application with no bypass valve)

	
<b>Length L (mm/in)</b>	145 5.7
<b>β-Ratio</b>	$\beta_{10} \geq 2$
<b>Carton Quantity</b>	1
<b>Carton Weight (kg/lbs)</b>	0,9 2



Dimensions in mm / in