

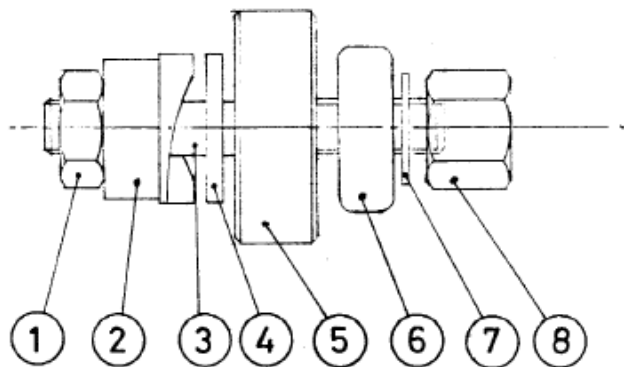
Datasheet

28 x 21mm Hand Rectangular Punch & Die Combinations

RS Stock number 543-614

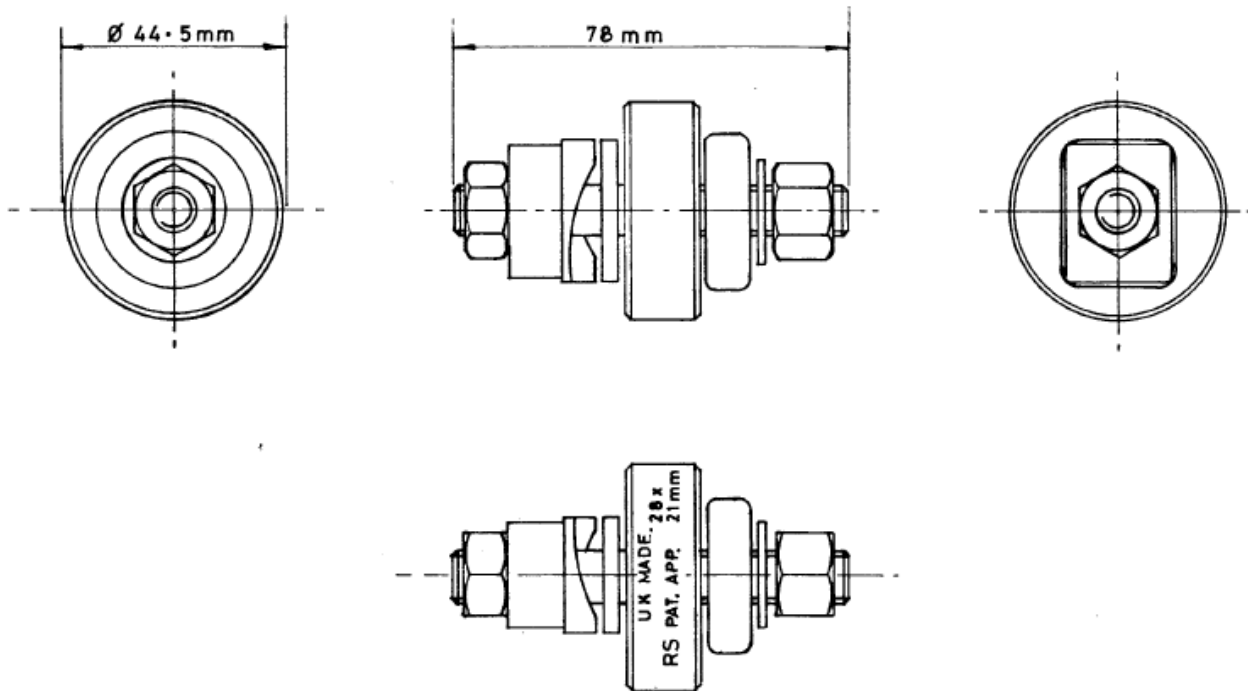


Specification:



ITEM N°	PART N°	DESCRIPTION	MATERIAL	N° OFF
①	— STD	M10X1.5 NUT	MS	1
Ⓐ ②	M928-21-2	PUNCH	MS	1
Ⓑ ③	B4	SPECIAL BOLT	MS	1
Ⓒ ④	M928-21-5	LOCATION PLATE	MS	1
Ⓓ ⑤	M928-21-1	DIE	MS	1
⑥	— STD	10MM THRUST RACE	—	1
⑦	— STD	10MM WASHER FORM B	MS	1
Ⓔ ⑧	NA	SPECIAL NUT	MS	1

Dimensions:



28 x 21 mm RECTANGULAR HOLE CUTTER.
(IEC PLUG 488-191)