

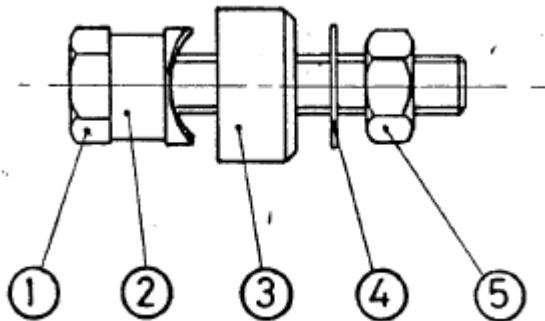
## Datasheet

# 27.5mm Hand; Hydraulic Circular Punch & Die Combinations

RS Stock number 543-715

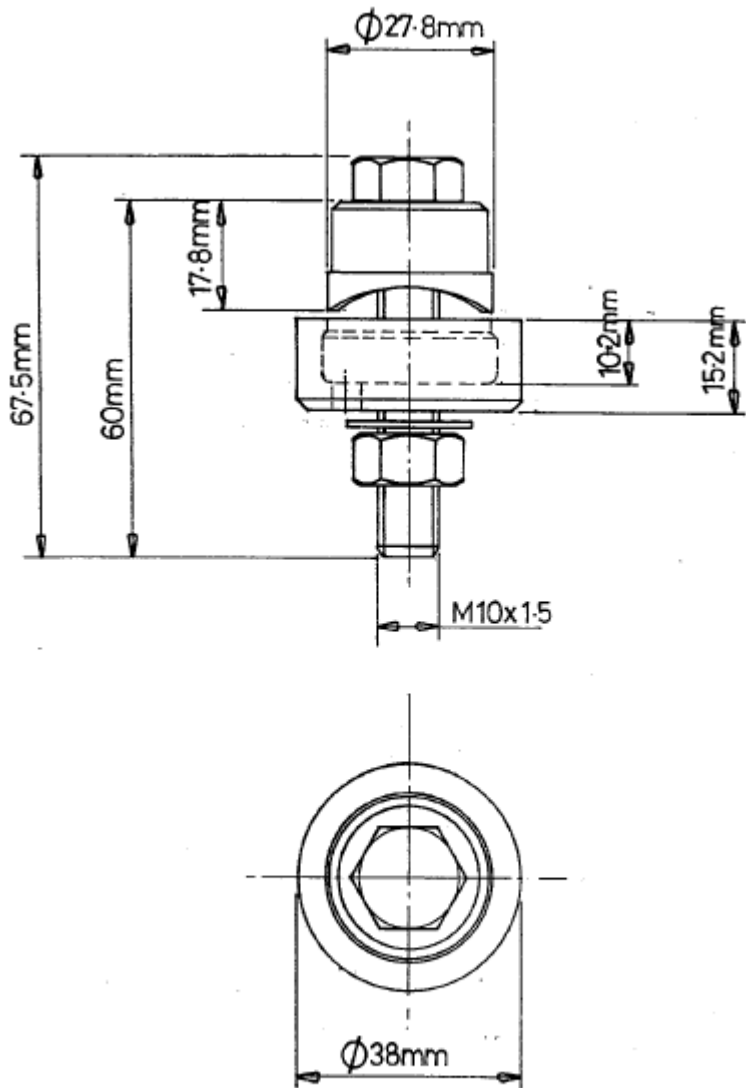


### Specification:



ITEM N°	PART N°	DESCRIPTION	MATERIAL	N° OFF
①	STD	M10x1.5x60 H.T. SET SCREW LONG HEXAGON HEAD	STEEL	1
②	M927 / 5-1	PUNCH	EN1A NON LEADED	1
③	M927 / 5-2	DIE	EN1A NON LEADED	1
④	STD	M 10 WASHER. FORM 'B'	MS	1
⑤	STD	M 10 x 1.5 NUT	MS	1

Dimensions:



$\phi 27.5\text{mm}$  HOLE CUTTERS.