

Datasheet

22.5mm Hydraulic Circular Punch & Die Combinations

RS Stock number 600-105



Description:

PUNCH AND DIE CASE HARDENED .015" TO .020" DEEP AND TEMPERED.

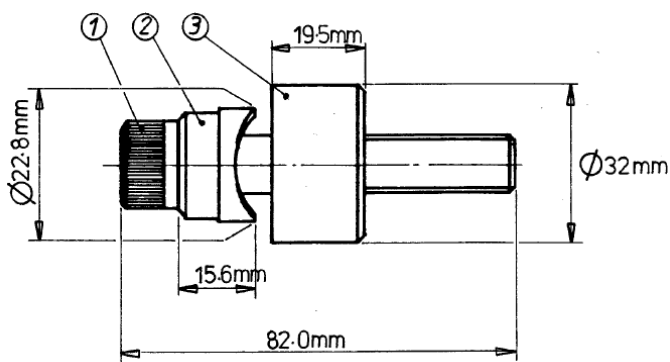
ALL ITEMS ARE FINISHED CHEMICALLY BLACKED.

THIS HOLE CUTTER TO BE USED SPECIFICALLY WITH HYDRAULIC PUMP/CYLINDER.

PUNCHES AND DIES ARE DESIGNED TO CUT MILD STEEL UP TO 3MM (10SWG) AND

ALUMINIUM UP TO 4MM.

Specification:



ITEM NO.	DESCRIPTION.	MATERIAL.
1	SOCKET HEAD CAP SCREW M12X1.75 70MM LONG	
2	PUNCH	ENIA NON LEADED
3	DIE	ENIA NON LEADED