

## Datasheet

# 125 mm Chrome Molybdenum Steel Circlip Pliers

RS Stock number 541-6781



### Specification

**Material:**

Chrome molybdenum steel for pliers, spring steel for automatic return function and vinyl dipping handles.

**Finish:**

Chemical black finish with polish main surface for pliers, red colour handle.

**Hardness:** heat treated to HRC: 45~55 (circlip tip), HRC: 44~48 (handle) and HRC: 30~48(joint)

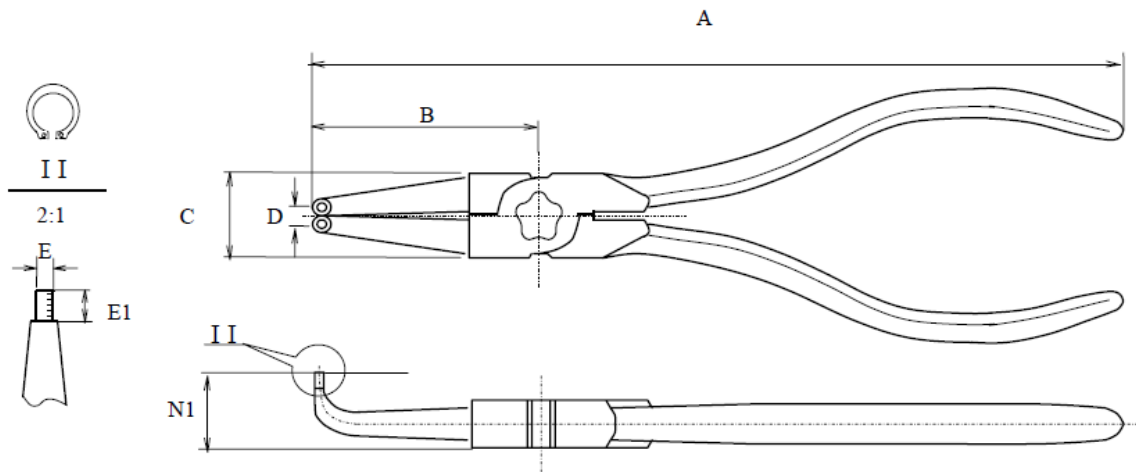
**Contents:**

1 pc - 5" (127 mm) internal 90 bent type, small cylindrical tip circlip pliers with automatic return spring and red colour vinyl dipping grip (diameter of tip – 0.9mm, overall length -127mm, jaw length – 25 mm, circlip seal ring capacity – 3~10 mm)

**Remarks:**

1. dimensions, handle spin, retaining tests, permanent and humidity meet din-standard. (form a type)

RS Stock No: 541-6781



Inspection item	Specification	Inspection tools
A mm	125.6±2	Kaliper
B mm	24.6-1	Kaliper
C mm	15-1	Kaliper
E mm	0.9-0.1	Kaliper
E1 mm	1.5-0.2	Kaliper
D max	(17.1)	Kaliper
N1 mm	13.5±2	Kaliper