

## Datasheet

# 125 mm Circlip Pliers with Bent Tip

RS Stock number 541-6832



### Specification

#### Material:

Chrome molybdenum steel for pliers, spring steel for automatic return function and vinyl dipping handles

#### Finish:

Chemical black finish with polish main surface for pliers, red colour handle.

hardness: heat treated to HRC: 45~55 (circlip tip), HRC: 44~48 (handle) and HRC: 30~48(joint)

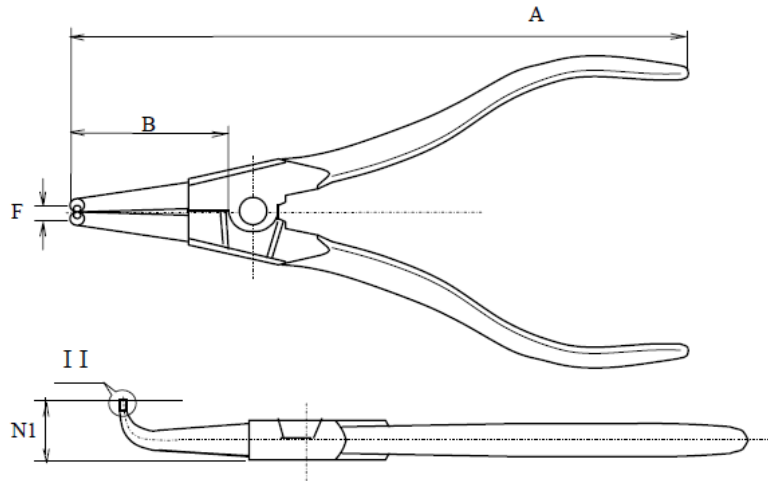
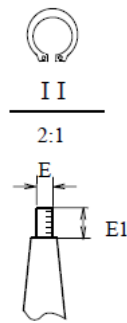
#### Contents:

1 pc - 5" (125 mm) external 90 bent type, small cylindrical tip circlip pliers with automatic return spring and red colour vinyl dipping grip (diameter of tip – 0.9mm, overall length -125mm, jaw length – 26 mm, circlip seal ring capacity – 3~10 mm)

#### Remarks:

1. dimensions, handle spin, retaining tests, permanent and humidity meet din-standard. (form a type)

RS Stock No: 541-6832



Inspection item	Specification	Inspection tools
A mm	125±2	Kaliper
B mm	25.9-1	Kaliper
E mm	0.9-0.2	Kaliper
E1 mm	1.5-0.2	Kaliper
D max	(17.1)	Kaliper
N1 mm	13.5±2	Kaliper