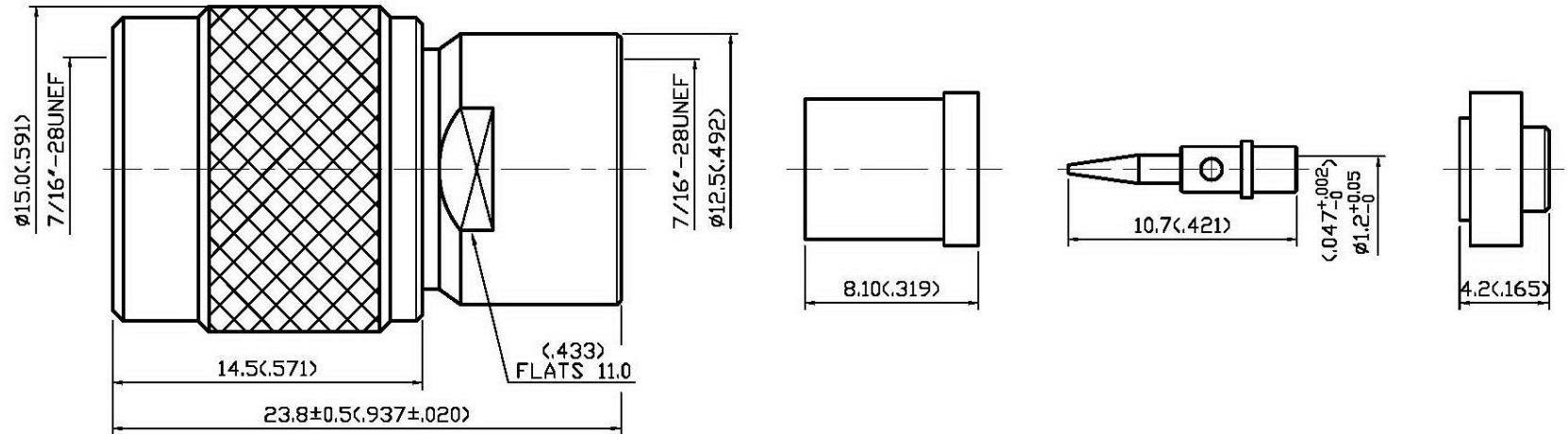


NO	DESCRIPTION	DATE
⚠	DEL. PROOF VOLTAGE WORKING VOLTAGE → VOLTAGE RATING	05.17.13'



1.0 ELECTRICAL

- 1.1 FREQUENCY RANGE: DC-11 GHz
- 1.2 NOMINAL IMPEDANCE: 50 OHMS
- 1.3 VOLTAGE RATING: 500 VOLTS MAX. ⚠

2.0 MATERIALS

- 2.1 BODIES: BRASS PER JIS-C3604
- 2.2 CENTER CONTACT: BRASS PER JIS-C3604
- 2.3 INSULATION: TEFLON PER ASTM D1457 AND ASTM D1710

3.0 FINISHES AND OTHERS

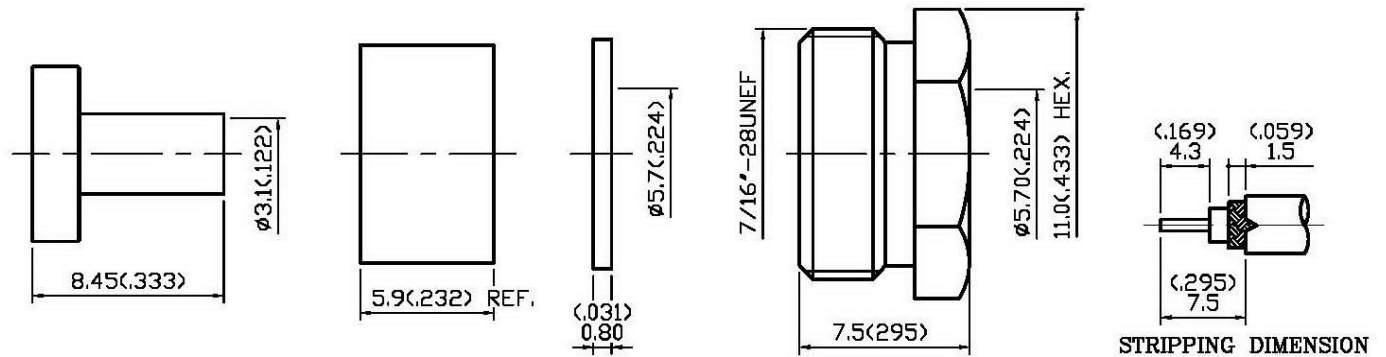
- 3.1 SEE BELOW TABLE FOR DETAILS.

4.0 MECHANICAL

- 4.1 INTERFACE IN ACCORDANCE WITH: MIL-STD-348A
- 4.2 FOR USE WITH RG58U OR SIMILAR STYLE CABLE
- 4.3 CABLE ATTACHMENT: OUTER: CLAMP, INNER: SOLDER

5.0 ENVIRONMENTAL

- 5.1 OPERATING TEMPERATURE RANGE: -85°C TO $+185^{\circ}\text{C}$



APPROVED by _____ DATE: _____

NO	DESCRIPTION	MATERIAL	Q'TY	FINISH
11	WASHER II	BRASS	1	SILVER $70 \mu"$ MIN.
10	NUT	BRASS	1	SILVER $70 \mu"$ MIN.
9	GASKET II	SILICONE	1	RED
8	BRAID CLAMP	BRASS	1	SILVER $70 \mu"$ MIN.
7	INSULATION II	TEFLON	1	NONE
6	CENTER CONTACT	BRASS	1	SILVER $70 \mu"$ MIN.
5	INSULATION I	TEFLON	1	NONE
4	WASHER I	BRASS	1	NONE
3	BODY	BRASS	1	SILVER $70 \mu"$ MIN.
2	GASKET I	SILICONE	1	RED
1	SHELL	BRASS	1	SILVER $70 \mu"$ MIN.



DESCRIPTION		TOLERANCE		品名		DATE		REV.	
製圖	DRAWN <i>Kristina</i>	.X	± 0.2	15-03-19	T.S.S	58U	日期	02.22.00'	版次
檢圖	CHECK <i>Arc</i>	.XX	± 0.1	TITLE TNC STRAIGHT PLUG CLAMP		ROHS COMPLIANT		日期	02.22.00'
認定	APPROVAL <i>Jenny</i>	.XXX	± 0.05	單位	UNIT mm(in)	DWG.NO.	15-0057		
	ANGLE	$\pm 5^{\circ}$	比例	4:1					