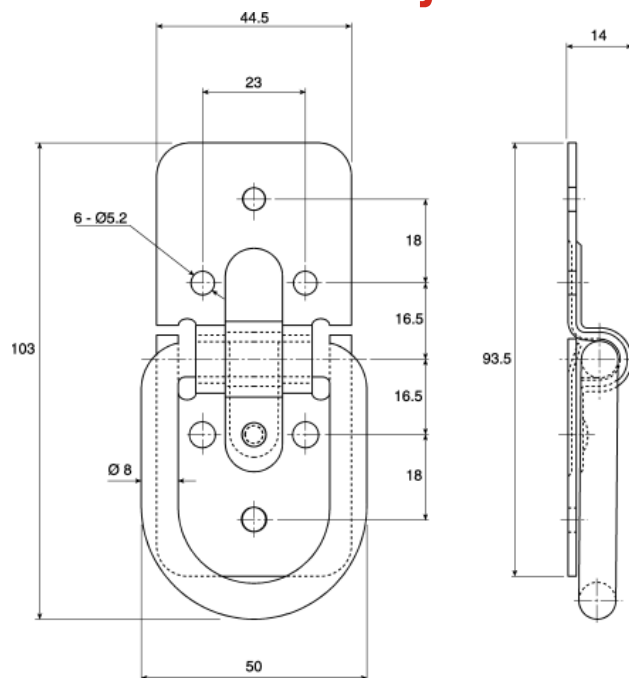


Datasheet

Sling Point Steel Zinc Plated, Lie Flat

RS Stock number [288-3403](#)



Description:

Plate 93.5 x 44.5mm, Ring W 50mm

Ideal for lifting applications

Less obtrusive and less likely to damage than more common eye bolt

Zinc passivated steel

Rating 900daN max.

Features:

- Load Capacity 9000N
- Load Plate Dimensions 93.5 x 44.5mm
- Load Plate Width 44.5mm
- Material Steel
- Mount Style Lie Flat
- Plate Length 93.5mm