



ENGLISH

## Datasheet

# DC Axial Fan, 40 x 40 x 20mm, 15.3m/h, 1.2W, 12 V dc (OD4020 Series)

RS Stock number [541-4915](#)



RS Part Number	Orion Part Number	Speed (RPM)	Airflow (CFM)	Noise (db)	Volts (DC)	Voltage Range	Current (Amps)	Lead Type
5414915	OD4020-12HB	7800	9	32	12	7~14	0.10	Wire
5414909	OD4020-12MB	6900	7.8	28.5	12	7~15	0.08	Wire
5414892	OD4020-12LB	6200	7	25	12	7~16	0.07	Wire
5415160	OD4020-24HB	7800	9	32	24	10~27	0.09	Wire
5415154	OD4020-24MB	6900	7.8	28.5	24	10~27	0.07	Wire
5415148	OD4020-24LB	6200	7	25	24	10~27	0.06	Wire

### Frame and Impeller

PBT, UL94V-0 Thermoplastic

### Available Options

Tachometer

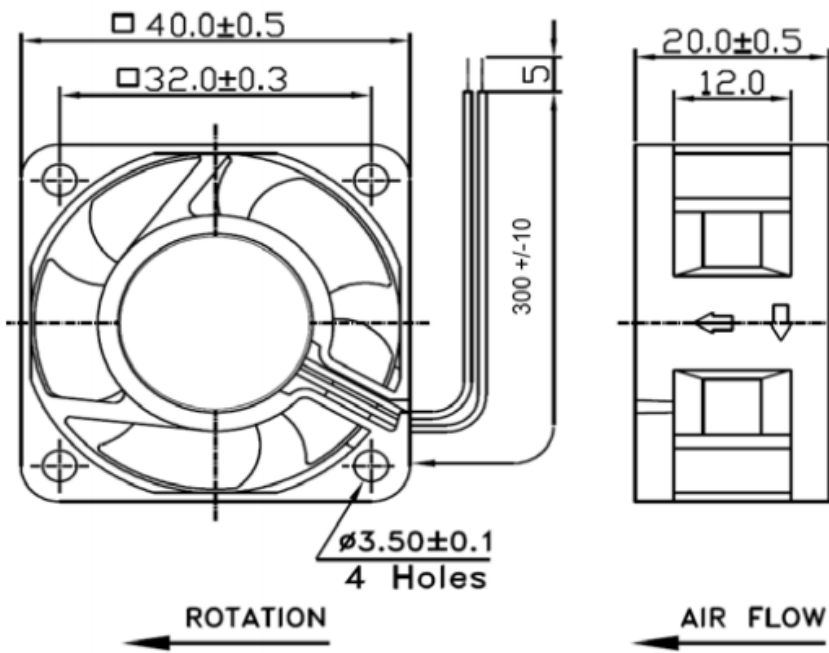
Locked Rotor Alarm

Finger Guard: G40-2

Plastic Guard: G40P

Filter Kit: GRM40-30, GRM40-45

**Drawing(mm):**



\*Drawing for Dimensional Reference Only

**MOTOR**

Brushless DC, polarity protected, locked rotor protected (current limited), auto restart

**INSULATION RESISTANCE**

Min. 10 M ohms at 500VDC

**LIFE EXPECTANCY (L10)**

Ball Bearing 60,000 Hours

**Operating Temperature**

-10C ~ +70C

**Safety Approvals**

UL/CUL, TUV, CE