

# Datasheet

## DC Axial Fan

RS Stock number 541-5110



**Frame and Impeller**  
PBT, UL94V-0 Thermoplastic

**Available Options**  
Tachometer  
Locked Rotor Alarm

Finger Guard: G109-15A, G109-15AB, G109-3  
Plastic Guard: G120P  
Wire Mesh Guard: WMG120M  
Filter Kit: GRM120-30, GRM120-45

## Specification

### **MOTOR**

Brushless DC, polarity protected, locked rotor protected (current limited), auto restart

### **INSULATION RESISTANCE**

Min. 10 M Ohm at 500VDC

### **LIFE EXPECTANCY (L10)**

Ball Bearing 60,000 Hours

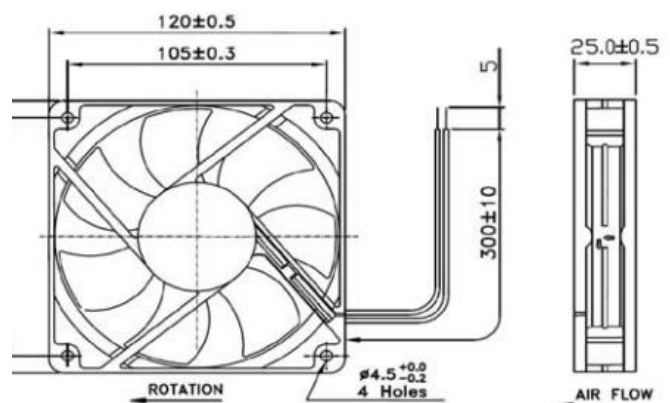
### **Operating Temperature**

-10C ~ +70C

### **Safety Approvals**

UL/CUL, TUV, CE

## Dimensions: (mm)



\*Drawing for Dimensional Reference Only