



Datasheet

OD3010 Series

30x30x10mm
(1.18"x1.18"x0.39")

ENGLISH



Frame and Impeller
PBT, UL94V-0 Thermoplastic

Available Options
Tachometer
Locked Rotor Alarm

RS Part Number	Orion Part Number	Speed (RPM)	Airflow (CFM)	Noise (db)	Volts (DC)	Voltage Range	Current (Amps)	Lead Type
5415413	OD3010-12HB	11,000	4	28	12	6~13.8	0.12	Wire

Data Tolerance +/-10%

MOTOR

Brushless DC, polarity protected, locked rotor protected (current limited), auto restart

INSULATION RESISTANCE

Min. 10 M ohms at 500VDC

LIFE EXPECTANCY (L10)

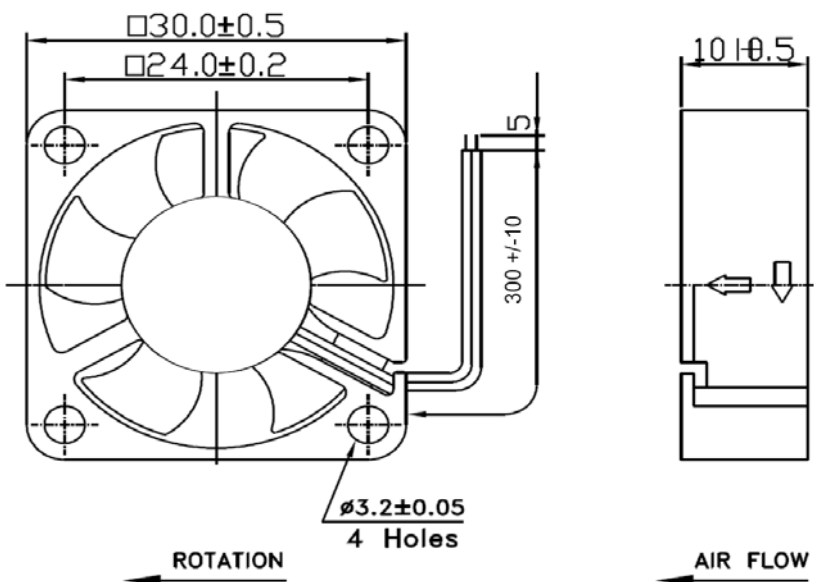
Ball Bearing 60,000 Hours

Operating Temperature

-10C ~ +70C

Safety Approvals

UL/CUL, TUV, CE



*Drawing for Dimensional Reference Only