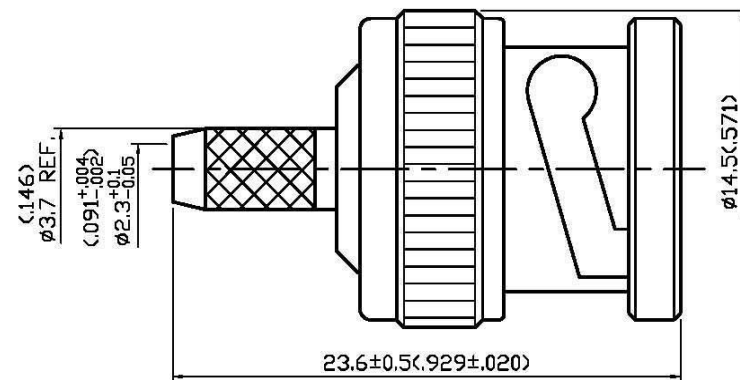
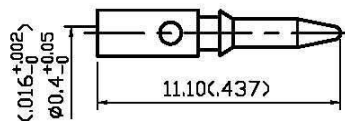
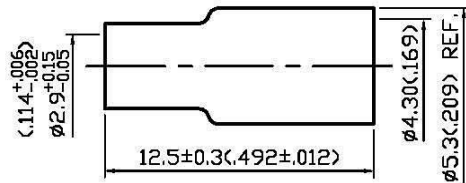


NO	DESCRIPTION	DATE
⚠	BACKGROUND FORMAT UPDATED	10.14.08'
⚠	DEL. PROOF VOLTAGE WORKING VOLTAGE -65° C TO +165° C -20° C TO +80° C DEL. CABLE RETENTION 50 → 75	01.05.15'



1.0 ELECTRICAL

- 1.1 FREQUENCY RANGE: DC-1 GHz
- 1.2 NOMINAL IMPEDANCE: 75 OHMS
- 1.3 VOLTAGE RATING: 500 VOLTS MAX.

2.0 MATERIALS

- 2.1 BODIES: BRASS PER JIS-C3604
- 2.2 CENTER CONTACT: BRASS PER JIS-C3604
- 2.3 INSULATION: TEFLON PER ASTM D1457 AND ASTM D1710
- 2.4 CRIMP FERRULE: BRASS PER JIS-C2700

3.0 FINISHES AND OTHERS

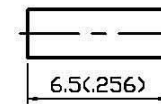
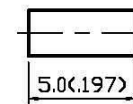
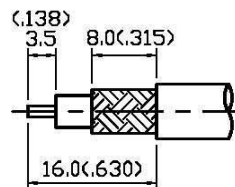
- 3.1 SEE BELOW TABLE FOR DETAILS.

4.0 MECHANICAL

- 4.1 CABLE ATTACHMENT: OUTER: CRIMP, INNER: SOLDER/CRIMP
- 4.2 CRIMP SIZE REQUIRED: CONTACT: 1.8(0.71) HEX. CRIMP TOOL
FERRULE: 3.4(1.34) HEX. CRIMP TOOL
4.6(1.81) HEX. CRIMP TOOL

5.0 ENVIRONMENTAL

- 5.1 OPERATING TEMPERATURE RANGE: -20° C TO +80° C



STRIPPING DIMENSION

11	SLEEVE	BRASS	1	NICKEL 100μ" MIN.
10	INSULATION	TEFLON	1	NONE
9	CENTER CONTACT	BRASS	1	GOLD
8	CRIMP FERRULE	BRASS	1	NICKEL
7	SHELL	ZINC	1	NICKEL
6	INSULATION	TEFLON	1	NONE
5	GASKET	RUBBER	1	NONE
4	WASHER	BRASS	1	NICKEL
3	SPRING WASHER	SK-5	1	NICKEL
2	WASHER	BRASS	1	NICKEL
1	BODY	BRASS	1	NICKEL 100μ" MIN.
NO	DESCRIPTION	MATERIAL	Q'TY	FINISH

APPROVED

by _____ DATE: _____



DESCRIPTION		BNC STRAIGHT PLUG CRIMP							
製圖	DRAWN <i>Kristina</i>	TOLERANCE	品名	13-10-6 T.G.Z	DATE	10.27.95'	版次	REV.	B-2
檢圖	CHECK <i>Arc</i>	.X ±0.2	TITLE	\ROHS COMPLIANT (75Ω)	日期				
認定	APPROVAL <i>Angela</i>	.XX ±0.1	單位	mm(in)	DWG.NO.	13-0329			
		.XXX ±0.05	比例	SCALE	5463636				
		ANGLE ±5°							