



ENGLISH

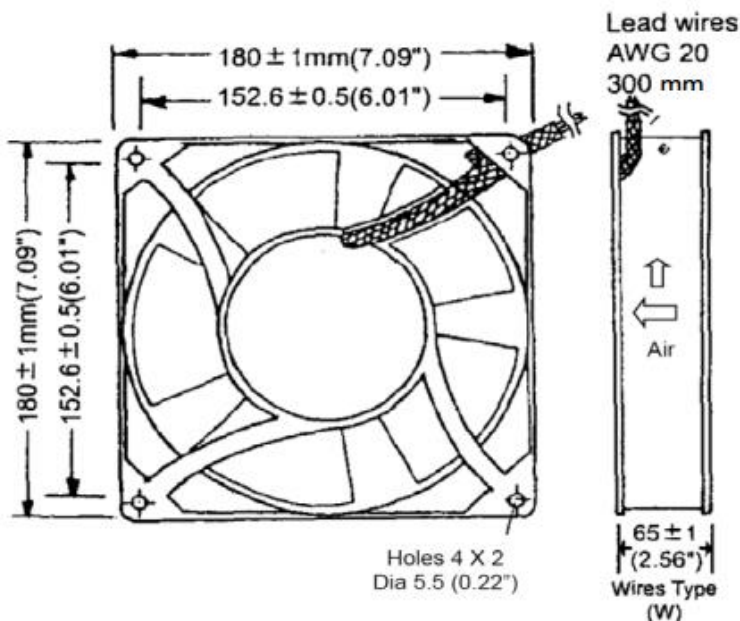
## Datasheet

# DC Axial Fan, 180 x 180 x 65mm, 765m<sup>3</sup>/h, 24W, 24 V dc (OD180 Series)

RS Stock 619-6747



### Dimensions: (mm)





### Specifications

- Frame: Die cast Aluminium , Black
- Impeller: Glass Reinforced PBT , UL94V-0
- MOTOR: Brushless DC, polarity protected, locked rotor protected (current limited), auto restart
- INSULATION RESISTANCE :Min. 10 M ohms at 500VDC
- LIFE EXPECTANCY (L10) :Ball Bearing 60,000 Hours
- Operating Temperature :-10C ~ +70C
- Safety Approvals: UL/CUL, TUV, CE

RS Part No.	Orion Part No.	Speed	Airflow	Noise	Volts	Voltage	Current	Connection Type
6196747	OD180APL-24HB	3200	400	63	24	12~28	0.97	Wire