



ENGLISH

## Datasheet

# DC Axial Fan, 60 x 60 x 25mm, 40.8m/h, 3.5W, 24 V dc (OD6025 Series)

RS Stock number [619-7100](#)



### Frame and Impeller

PBT, UL94V-0 Thermoplastic

### Available Options

Tachometer

Locked Rotor Alarm

Finger Guard: G60-4

Plastic Guard: G60P

Wire Mesh Guard: WMG60M

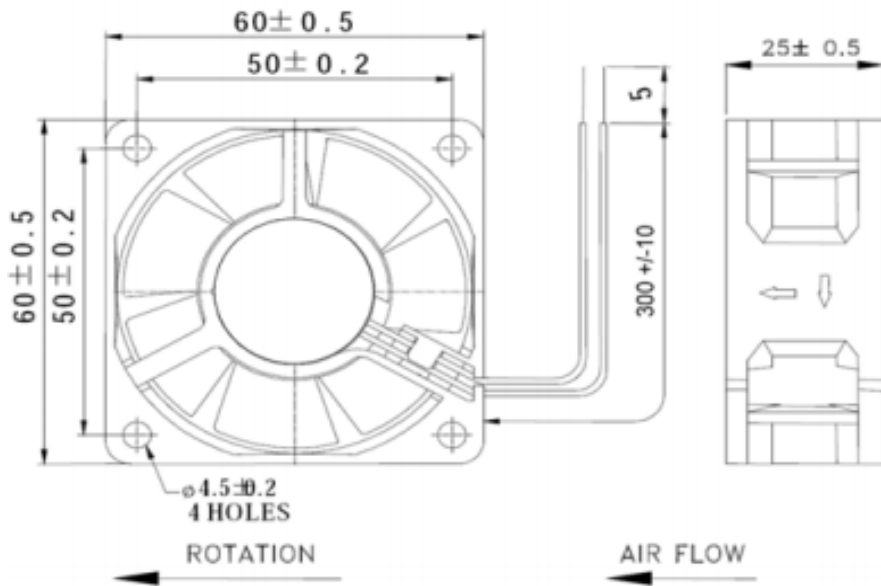
Filter Kit: GRM60-30, GRM60-45

RS Part Number	Orion Part Number	Speed (RPM)	Airflow (CFM)	Noise (db)	Volts (DC)	Voltage Range	Current (Amps)	Lead Type
6246599	OD6025-12HB(01A)*	4500	23	35	12	6~13.8	0.23	Wire
6197100	OD6025-24HB(01A)*	4500	23	35	24	12~28	0.15	Wire

\*01A Indicates Tach Output, Open Collector Type

Data Tolerance +/- 10%

Drawing(mm):



\*Drawing for Dimensional Reference Only

**MOTOR**

Brushless DC, polarity protected, locked rotor protected (current limited), auto restart

**INSULATION RESISTANCE**

Min. 10 M Ohms at 500VDC

**LIFE EXPECTANCY (L10)**

Ball Bearing 60,000 Hours

**Operating Temperature**

-10C ~ +70C

**Safety Approvals**

UL/CUL, TUV, CE