

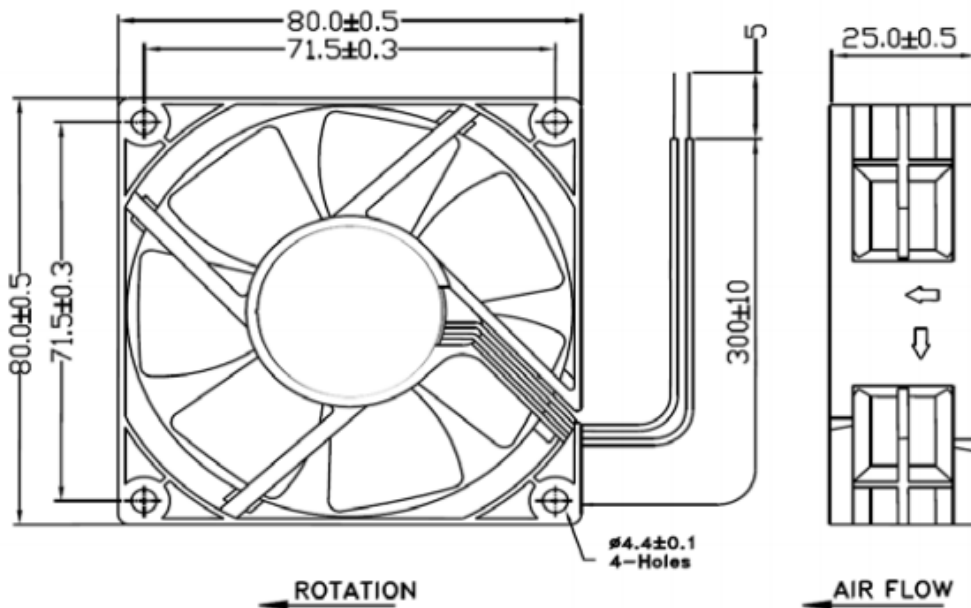
Datasheet

DC Axial Fan, 80 x 80 x 25mm, 68m³/h, 2.41W, 24 V dc (OD8025 Series)

RS Stock 619-7122



Dimensions: (mm)





Specifications

- Impeller & Frame: PBT , UL94V-0 Thermoplastic

Available Options

- Tachometer
- Locked Rotor Alarm
- Motor: Brushless DC, polarity protected, locked rotor protected (current limited), auto restart
- INSULATION RESISTANCE Min. 10M ohms at 500VDCLIFE EXPECTANCY (L10) :Ball Bearing 60,000 Hours
- Operating Temperature -10C ~ +70C
- Safety Approvals: UL/CUL, TUV, CE

RS Part No.	Orion Part No.	Speed	Airflow	Noise	Volts	Voltage	Current	Connection Type
6197116	OD8025-12HB(01A)*	3300	40	33	12	6~13.8	0.25	Wire
6197138	OD8025-24HB(01)(20)**	3300	40	33	24	12~27.6	0.25	Wire
6197122	OD8025-24HB(01A)*	3300	40	33	24	12~28	0.25	Wire