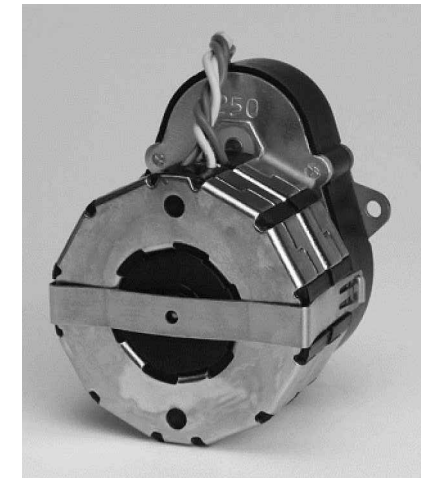
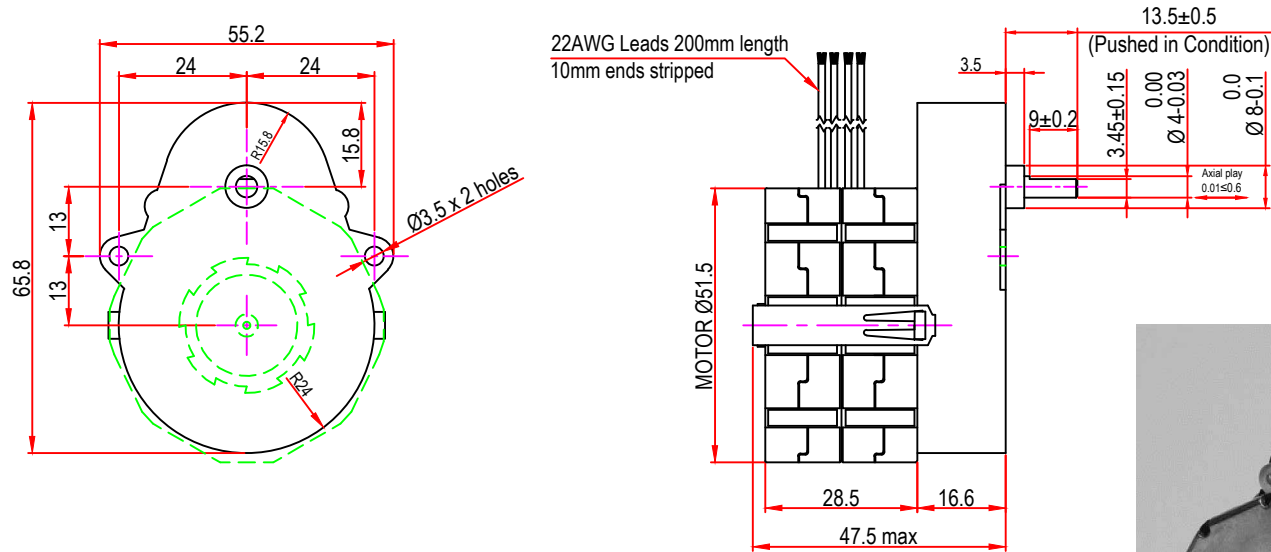




Issue/RevNo	Revision note	Date	Signature	Checked
1.0	Original Issue	22/11/2015	MBM	JYK



(Project: RS Components)		Final Inspection Table	
Sr. No.	Description	Method of Inspection	Acceptance Criteria
1	Supply Voltage	Test Bench	230V 50Hz
2	Duty Cycle	Description/ Lead colour	100% ED / BLUE
3	Current	Test Bench	12 mA ~ 15 mA
4	O/P Direction from shaft end	Visual	Reversible
5	O/P Speed of Geared Motor	Tachometer / Watch	30 rpm
6	Noise Level	Sound Chamber	≤60dB (A) measured at a distance of 100mm in an anechoic chamber
7	Shaft Type	Vernier/Micrometer	OS
8	Shaft Axial Play	Vernier	0.01mm≤0.6mm
9	Bush	Visual / Vernier	Sintered Bush Ø8mm x 3.5mm
10	Lead Position	Visual	Top
11	Flexible Wire Leads	Ruler / Measuring Tape	22 A WG, 200mm Length ± 5mm
12	Wire strip length	Vernier / Ruler	10mm ± 10% (9mm ~ 11mm)
13	Capacitor	Visual	0.12µF/400 VAC not to give

Description: MTR4bGB5P, 230V 50HZ, 30RPM, OS Type shaft

Itemref	Client	RS COMPONENT		Article No./Reference	
Designed by	Checked by	Approved by	Date	Scale	
MBM	JYK	TNB	22/11/2015	do not scale	
BRAND - MECHTEX Navi Mumbai - 400 709.			Assembly Drawing		
F-MKT-022 VER 3.0			Edition	Sheet	
				1 of 1	