



ENGLISH

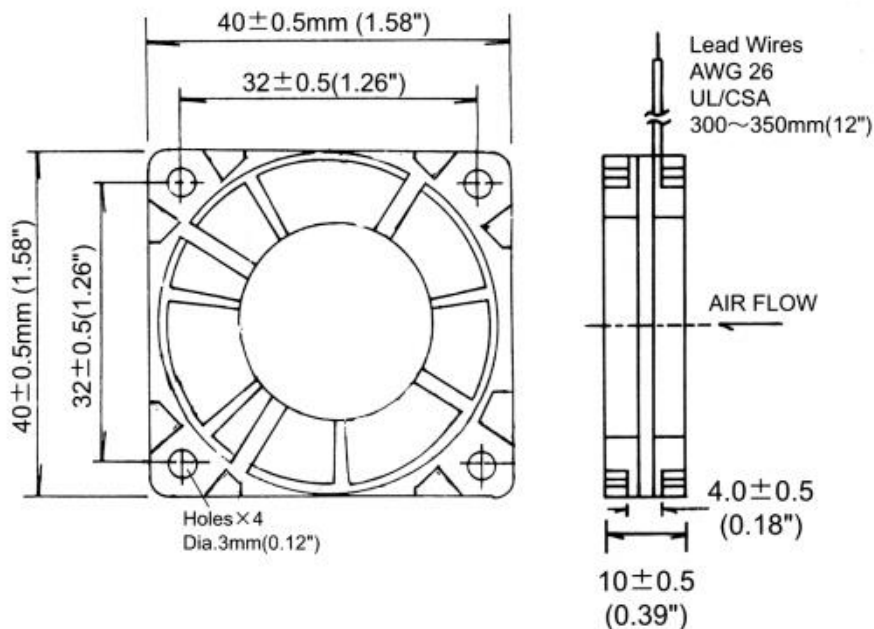
Datasheet

DC Axial Fan, 40 x 40 x 10mm, 11.4m³/h, 1.4W, 24 V dc (OD4010 Series)

RS Stock 668-8801



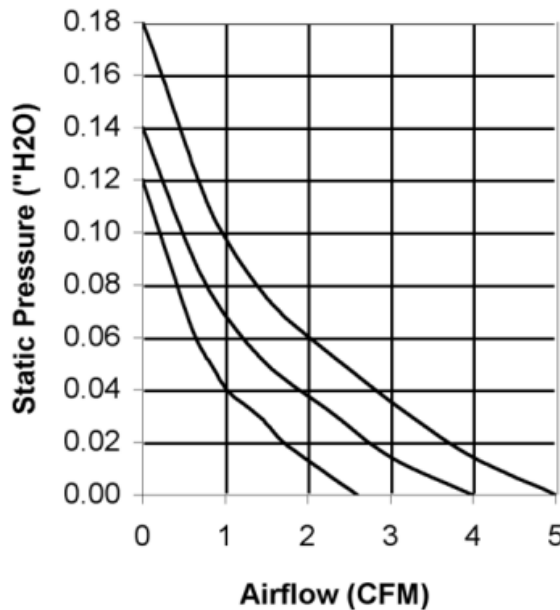
Dimensions: (mm)





Specifications

- Available Options: Tachometer (Frequency Generator) White Lead
- Alarm (Rotation Detector) Yellow Lead
- Life Expectancy (L10) Ball - 60,000 hrs (45C) Sleeve - 30,000 hrs (45C)
- Operating Temperature Ball: -20 ~ 80C Sleeve: -10 ~ 60C
- Frame & Impeller: PBT, UL94V-O plastic
- Connection: 2x Lead wires 26AWG
- Motor: Brushless DC, auto restart, impedance and polarity protected
- Bearing System: Ball bearing or Sleeve
- Insulation Resistance: 10M ohm between leadwire and frame (500VDC)
- Dielectric Strength: 1 second at 500 VAC, max leakage - 500 MicroAmp
- Storage Temperature: -30C ~ +90C



| Model Number | Speed (RPM) | Airflow (CFM) | Noise (dB) | Volts DC | Voltage Range (VDC) | Amps | Max. Static Pressure (\"H2O) |
|--------------|-------------|---------------|------------|----------|---------------------|------|------------------------------|
| OD4010-05H * | 7000 | 4.8 | 30 | 5 | 4 ~ 7 | .12 | .17 |
| OD4010-05M * | 5000 | 3.8 | 24 | 5 | 4 ~ 7 | .10 | .14 |
| OD4010-05L * | 4000 | 2.5 | 20 | 5 | 4 ~ 7 | .09 | .12 |
| OD4010-12H * | 8000 | 5.0 | 30 | 12 | 7 ~ 14 | .08 | .18 |
| OD4010-12M * | 6000 | 4.0 | 24 | 12 | 7 ~ 14 | .07 | .14 |
| OD4010-12L * | 4000 | 2.5 | 20 | 12 | 7 ~ 14 | .06 | .12 |
| OD4010-24H * | 8000 | 5.0 | 30 | 24 | 10 ~ 27 | .06 | .18 |
| OD4010-24M * | 6000 | 4.0 | 24 | 24 | 10 ~ 27 | .05 | .14 |
| OD4010-24L * | 4000 | 2.5 | 20 | 24 | 10 ~ 27 | .04 | .12 |