



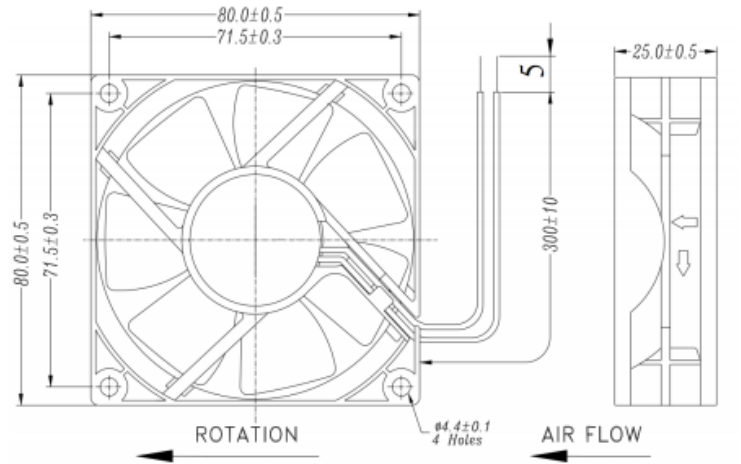
ENGLISH

Datasheet

DC Axial Fan

RS Stock number 668-8833

Dimensions: (mm)



Specification

Frame & Impeller	PBT, UL94V-O plastic	Available Options: Sleeve Bearing Ball Bearing Tachometer Alarm Thermal control PWM Input IP55 48V & 5V Life Expectancy (L10) 50,000+ hrs Operating Temperature -10 ~ 70C	<p>The graph shows a curve of Static Pressure (in H2O) on the y-axis (0.00 to 0.16) versus Airflow (CFM) on the x-axis (0 to 40). The pressure starts at approximately 0.16 H2O at 0 CFM and decreases as airflow increases, reaching 0.00 H2O at 40 CFM.</p>
Connection	2x Lead wires 24AWG		
Motor	Brushless DC, auto restart, polarity protected		
Bearing System	Sealed Sleeve		
Insulation Resistance	10M ohm between leadwire and frame (500VDC)		
Dielectric Strength	1 second at 500 VAC, max leakage - 500 MicroAmp		

RS Order Number	6688833
Model Number	OD8025-24HSS
Part Number	183243001
Nominal Voltage	24 VDC
Nominal Current	0.16A
Rated Power	2.4W
Rated Speed (RPM)	3100
Airflow (CFM)	40
Noise Level (dB)	34
Max. Static Pressure	0.16" H2O