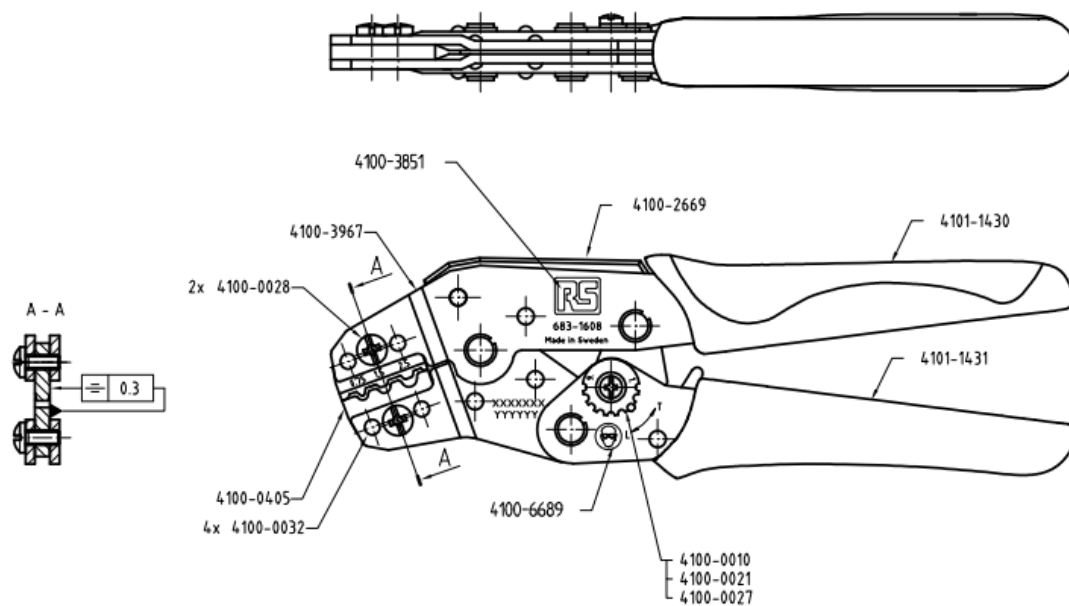


Datasheet

Crimp Tool, Non-Insul Term, 0.35-2.5mm

RS Stock number [683-1608](#)

Dimensions: (mm)



Specifications

- Length : 198 mm/7,80"
- Height : 65 mm/2,56"
- Weight : 350 gr/0,77 lbs
- Connector: Uninsulated / Copper tube
- Description: Indent crimp
- Wire size AWG: 22-14 AWG
- Wire size mm²: 0,352,5 mm² / 22-14 AWG

Open the tool. Insert terminal in correct nest. Close tool until terminal fastened. Insert wire into terminal. Close tool until ratchet release. Attention: To release ratchet mechanism, push the trigger.

To calibrate this tool the preload has to be measured. Gauge is required to ensure that the die is according to specification. For more information See instruction sheet.