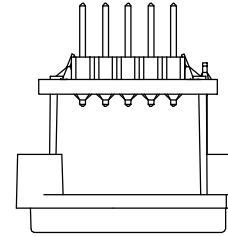
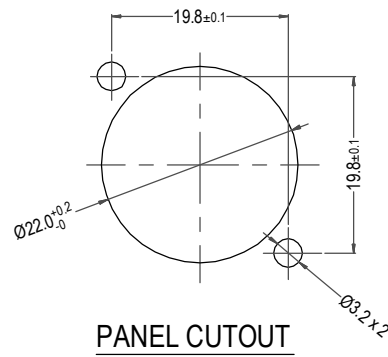
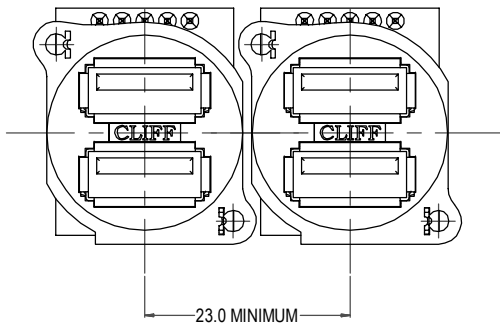
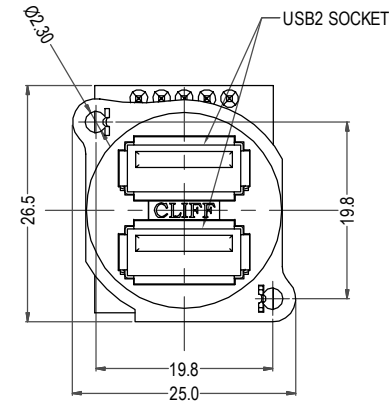
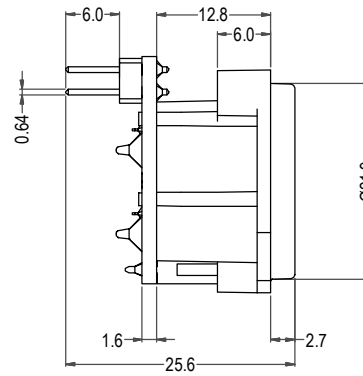
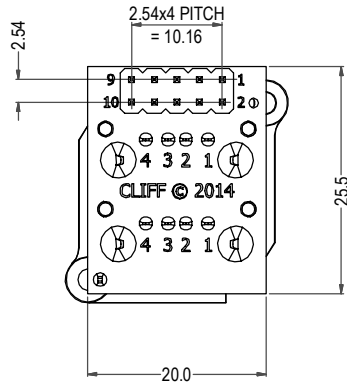


SCHMATIC



ISS.	AMEND	DATE
A	1st DRAWN	05/06/2014



PANEL CUTOUT

	USB 2.0 TOP		USB 2.0 BOTTOM	
	Pin No.		Header Pin	
Top USB	1	Vcc	1	
	2	Data -	3	
	3	Data +	5	
	4	Ground	7	
		USB Body	9	
Bottom USB	1	Vcc	2	
	2	Data -	4	
	3	Data +	6	
	4	Ground	8	
		USB Body	10	



RoHS
COMPLIANT

TOLERANCE
NO DEC. PLACE ±
1 DEC. PLACE ±
2 DEC. PLACE ±
HOLE Ø ±
ANGLES ±
UNLESS OTHERWISE STATED

DIMENSIONS IN MILLIMETERS UNLESS OTHERWISE STATED. WORK TO DIMENSIONS. REMOVE ALL BURRS. IF IN DOUBT ASK.

3rd ANGLE PROJECTION:

DO NOT SCALE

MATERIAL: SEE PART DRAWINGS

FINISH: SEE PART DRAWINGS

DRAWN: NJB

APPROVED: DPJ

TITLE: XLR-USB2.0x2 WITH 2x5-WAY HEADER AND EARTH CONTACT

DRWG. No. CP 30092 (RS 8621567)

FORM: A4DRWGH