

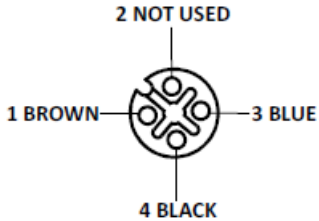
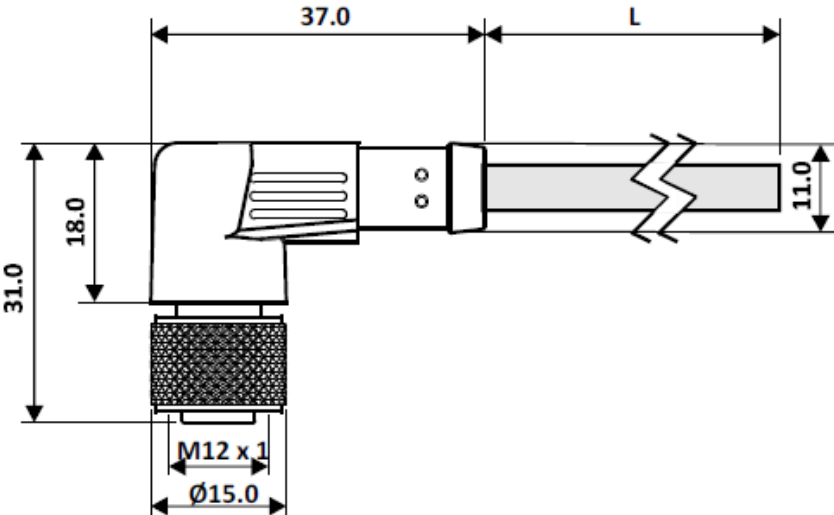
Datasheet

Connector Assembly

RS Stock 877-1117



Dimensions: (mm)



Specifications

General Specification

| | |
|---------------------------|-----------------|
| Rated Operational Voltage | 250 V |
| Current Rating | 4A |
| Insulation Resistance | >= 100 MΩ |
| Temperature Range | -25°C ... +75°C |
| Degree of Protection | IP67 |

Material Specification

| | |
|-----------------|---------------------|
| Grip Material | PU |
| Contact | Cu-Zn |
| Contact Plating | Gold Plated |
| Contact Carrier | Nylon 66 |
| O-Ring | Neoprene |
| Grip Colour | Black |
| Coupling Nut | Brass Nickel-Plated |

Cable Specification

| | |
|-----------------------|-------------------------|
| Cable Length-L | 2 m |
| Cable Type | 3 Core PUR Multi Strand |
| Sheath Colour | Black |
| Cross Section of Wire | 0.34 sq. mm |
| Core Dia | 1.4 mm |
| Cable Dia | 4.5 ± 0.1 mm |
| Termination | Partially Stripped |