

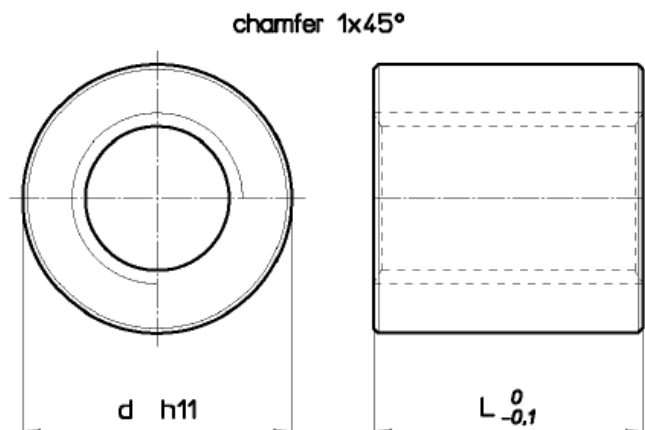
## Datasheet

# RS Trapezoidal Nut Type MZP - Cylindrical Steel

Material EN 10277-3 11 S Mn Pb 37 - 1.0737



Nut for fastening or manual movement with small load; steel-to-steel coupling tends to seize. Can be MIG welded only. Electrode welding is not recommended because of the lead.



RS Number	Screw Type	Material	Screw	Diameter x lead	Thread starts	d mm	L mm	Wt. kg/each	At mm <sup>2</sup> (1)
8625379	Trapezoidal	Steel EN 10277-3 11 S Mn Pb 37 - 1.0737	Right	Tr 10x2	1	22	15	0.038	150
8625373	Trapezoidal	Steel EN 10277-3 11 S Mn Pb 37 - 1.0737	Right	Tr 12x3	1	26	18	0.061	296
8625382	Trapezoidal	Steel EN 10277-3 11 S Mn Pb 37 - 1.0737	Right	Tr 14x3	1	30	21	0.095	395
8625385	Trapezoidal	Steel EN 10277-3 11 S Mn Pb 37 - 1.0737	Right	Tr 16x4	1	36	24	0.158	528
8625389	Trapezoidal	Steel EN 10277-3 11 S Mn Pb 37 - 1.0737	Right	Tr 18x4	1	40	27	0.218	553
8625398	Trapezoidal	Steel EN 10277-3 11 S Mn Pb 37 - 1.0737	Right	Tr 20x4	1	45	30	0.308	847
8625391	Trapezoidal	Steel EN 10277-3 11 S Mn Pb 37 - 1.0737	Right	Tr 22x5	1	45	33	0.324	1010
8625395	Trapezoidal	Steel EN 10277-3 11 S Mn Pb 37 - 1.0737	Right	Tr 24x5	1	50	36	0.440	1215

(1) Total bearing surface between screw and nut teeth on plane perpendicular to axis.