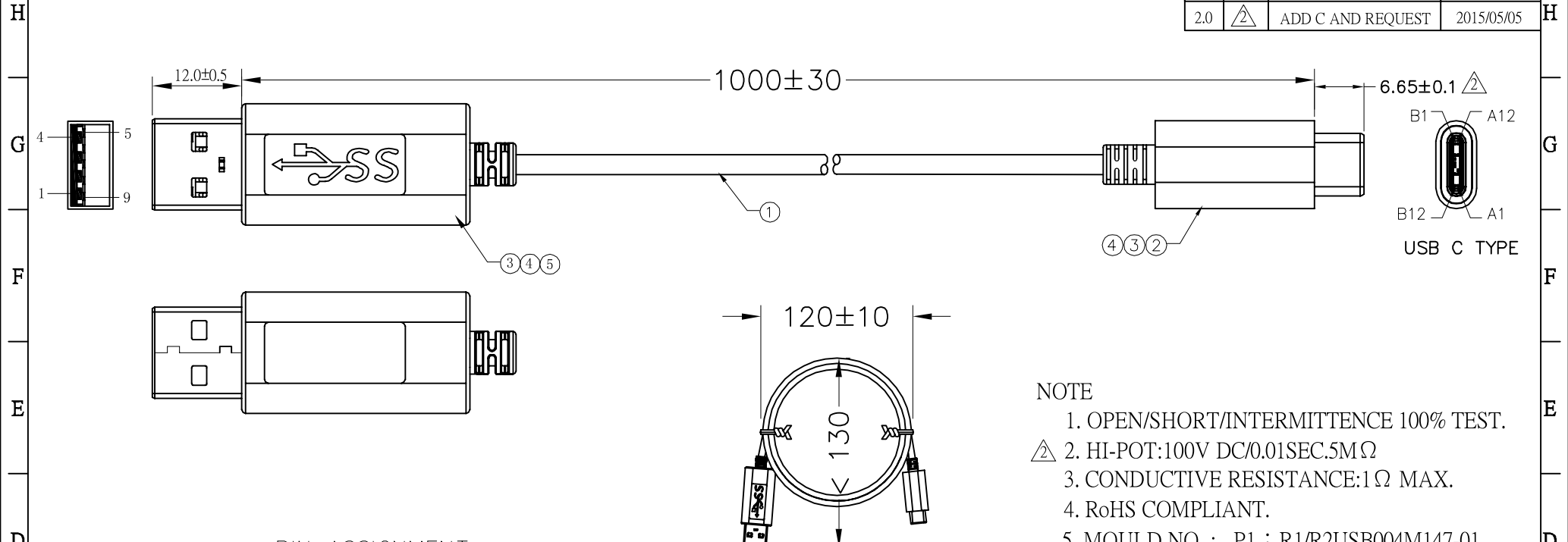


REV.	LTR	ECN/DESCRIPTION	DATE
1.0		NEW DRAWING	2015/04/09
2.0	△	ADD C AND REQUEST	2015/05/05



- NOTE
1. OPEN/SHORT/INTERMITTENCE 100% TEST.
 - △ 2. HI-POT:100V DC/0.01SEC.5MΩ
 3. CONDUCTIVE RESISTANCE:1Ω MAX.
 4. RoHS COMPLIANT.
 5. MOULD NO. : P1 : R1/R2USB004M147-01
P2 : R2USB004M148-01

PIN ASSIGNMENT:

SIGNAL	USB A TYPE		USB C TYPE	SIGNAL
GND	4, 7	GND_PWRrt1	A1 B1 A12 B12	GND
GND_DRAIN		PWR_VBUS1		VBUS
VBUS	1		A5	CC
		UTP_Dp	A6	Dp1
D+	3	UTP_Dn	A7	Dn1
D-	2	SDPp1	A2	SSTXp1
StdA_SSRX+	6	SDPn1	A3	SSTXn1
StdA_SSRX-	5	SDPp2	B11	SSRXp1
StdA_SSTX+	9	SDPn2	B10	SSRXn1
StdA_SSTX-	8	BRAID	SHELL	SHELL
SHIELD	SHELL			SHIELD

扎線圖

NO.	NAME	MATERIAL DESCRIPTION	O'TY	UNIT
⑤	CONN	USB A TYPE PLUG CONTACT GOLD PLATED	1	SET
④	OUTER MOLDED	70P PVC BLACK	A/R	KG
③	INNER MOLDED	LDPE	A/R	KG
②	CONN	USB CTYPE PLUG TERMINAL30U', BLACK, Stamping Shell, FREEPORT	1	SET
①	CABLE	USB 3.1 cable (1/0.28S*1P+D+AL+HM)*4C+(1/0.254T*1P+2D+AL+HM)*1C+1/0.20T*4C+1/0.40T*2C+F+AB OD:4.8MM	A/R	MM



CUSTOMER DRAWING		GENERAL TOLERANCES UNLESS SPECIFIED		APPROVED BY:	TITLE: USB AM to USB C TYPE L=1000MM <5A
SIZE	UNITS	X±0.50	.X*±5.0*	CHECKED BY:	
A4	MM[INCH]	.XX±0.35	.X*±3.0*	DESIGN BY:	RS P/N
SCALE	REV.	.XX±0.25	.XX*±2.5*		3008950495
NONE	2.0	.XXX±0.15	.XXX*±2.0*		SHEET 1/1

