

# Technical Datasheet

HELLERMANN TYTON : Perfect Cable Solutions

## Flexible square adhesive mountbase – FlexTack-Series FMB\_APT-I

### DESCRIPTION



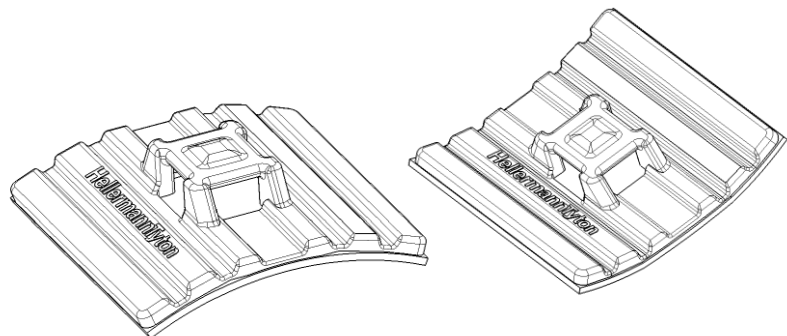
FlexTack mounts offer an innovative and unique fixing solution especially for angled (to a certain degree) and round surfaces (concave or convex surfaces), for low surfaces like PP (PolyPropylene) and PE (PolyEthylene) or if drilling a hole is not possible. These flexible mounts, with a special adhesive foam that provides a good initial tack, are suitable for a wide range of indoor and outdoor applications on vanished, plastic or metal surfaces in many areas (electrical cabinet, railway, automotive, medical, agricultural machinery...).

# Technical Datasheet

HELLERMANN TYTON : Perfect Cable Solutions


## Features and benefits

- Flexible Mount for convex and concave surfaces
- Homogeneous system of acrylic adhesive
- Very good initial adhesion that increases with time
- High cohesive strength combined with good weathering resistance
- Good temperature resistance up to + 105°C (long-term)
- Innovative fixing solution for low energy surfaces like PP, PE or painted / vanished surfaces
- Protection foil with finger lift for easy peel off



## PROPERTIES

Material information	
<b>Materials</b>	Polyamide 6.6 Heat Stabilized (PA66HS) Acrylate with base of acrylic foam (Adhesive)
<b>Operating temperature</b>	-40°C to +105°C
<b>Flammability</b>	UL94-V2 (adhesive excluded)



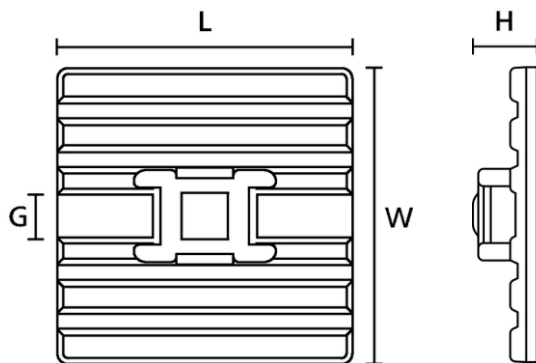
HF

RoHS

# Technical Datasheet

HELLERMANN TYTON : Perfect Cable Solutions

## DIMENSIONS



FMB4APT-I



### Technical information

Article n°	Type	Length (L)	Width (W)	Height (H)	Strap width max.	For cable width max	Color	Bag Cont. (pcs.)	Box Cont. (pcs.)
<b>Flexible adhesive square mount bases - To be combined with a cable tie</b>									
151-01527	FMB4APT-I	28	28	4,7	5,4	/	Black	100	5000
151-01528	FMB4APT-I	28	28	4,7	5,4	/	White	100	5000

All dimensions in mm. Subject to technical change.