

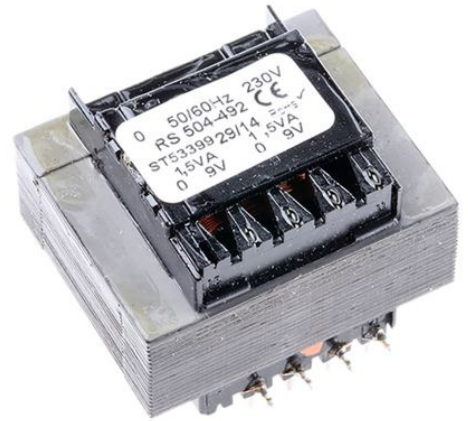
Datasheet

PCB Transformers – open type

RS Pro

The PCB mounting mains Transformers 3VA to 12VA are high quality isolating transformers designed for use in general applications. The two independent secondary windings may be connected in series or parallel to give a wide range of output voltage and current options. Designed according to the following specifications

- Full varnish impregnation
- Fully shrouded bobbins
- Extra pins for secure board mounting
- Double section metric bobbin construction
- 100% electrical and flash tested

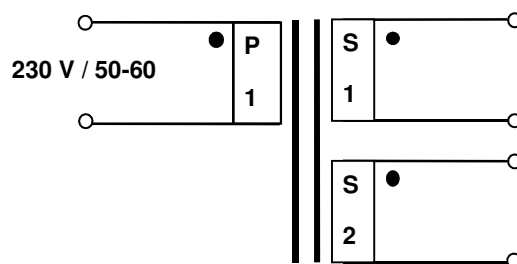
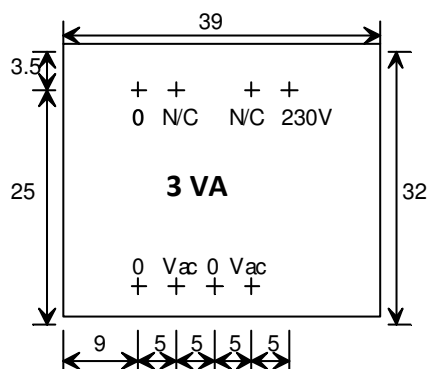


Specifications

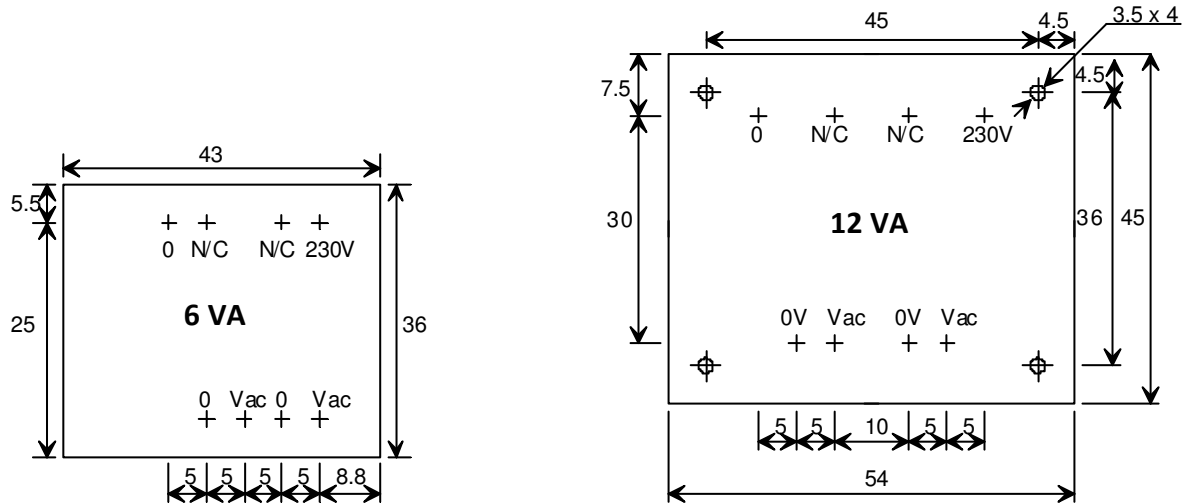
Power:	3 – 12 VA
Frequency:	50 / 60 Hz
Primary:	230 VAC
Secondary:	2 Parallel
Isolation:	4 kV RMS
Temp class:	B (130 °C)
Protection cl.:	IP00
According to:	EN61558-1 and EN61558-2-6



Schematic/pin layout:



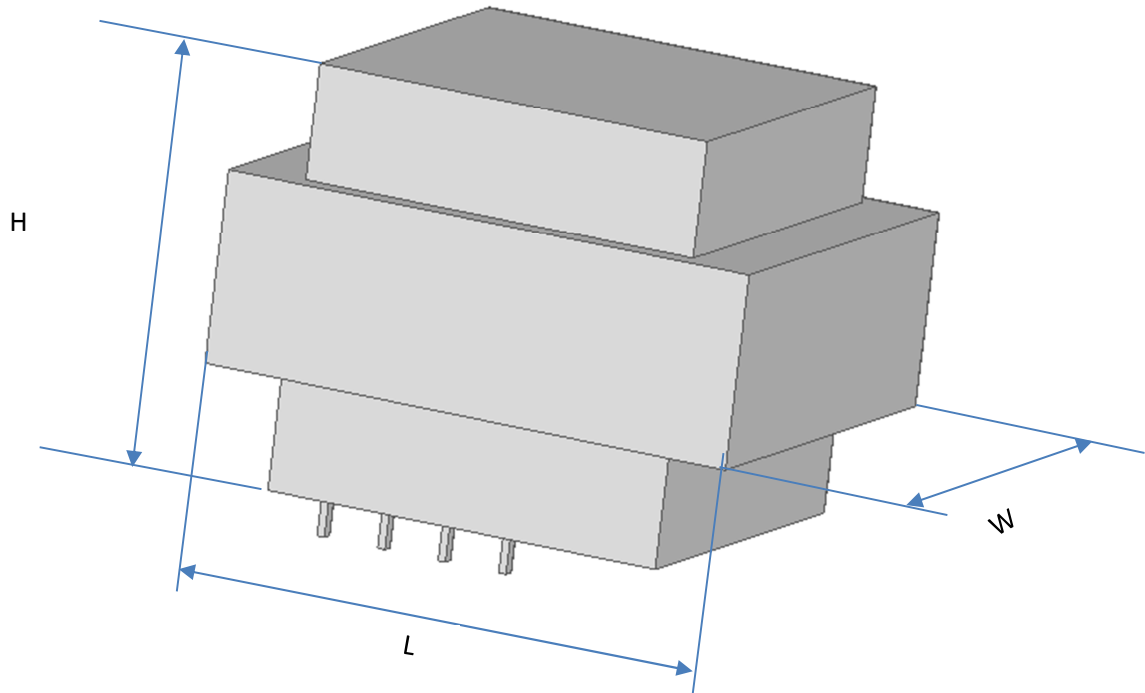
Pin layout:



Ordering details:

RS Stock number	Power VA	Specification	No-load voltage	According to
504454	3	PCB mount Transformer, open type, 230V / 2x5V	6.5 V	EN61558-2-6
504486	3	PCB mount Transformer, open type, 230V / 2x6V	7.8 V	EN61558-2-6
504492	3	PCB mount Transformer, open type, 230V / 2x9V	11.7 V	EN61558-2-6
504464	3	PCB mount Transformer, open type, 230V / 2x12V	15.5 V	EN61558-2-6
504470	3	PCB mount Transformer, open type, 230V / 2x15V	19.3 V	EN61558-2-6
504476	3	PCB mount Transformer, open type, 230V / 2x20V	26.4 V	EN61558-2-6
504509	3	PCB mount Transformer, open type, 230V / 2x24V	31.2 V	EN61558-2-6
504460	6	PCB mount Transformer, open type, 230V / 2x5V	6.9 V	EN61558-2-6
504543	6	PCB mount Transformer, open type, 230V / 2x6V	8.2 V	EN61558-2-6
504549	6	PCB mount Transformer, open type, 230V / 2x9V	12.3 V	EN61558-2-6
504559	6	PCB mount Transformer, open type, 230V / 2x12V	16.5 V	EN61558-2-6
504565	6	PCB mount Transformer, open type, 230V / 2x15V	20.6 V	EN61558-2-6
504533	6	PCB mount Transformer, open type, 230V / 2x20V	27.7 V	EN61558-2-6
504515	6	PCB mount Transformer, open type, 230V / 2x24V	33.7 V	EN61558-2-6
504555	12	PCB mount Transformer, open type, 230V / 2x6V	7.0 V	EN61558-2-6
504521	12	PCB mount Transformer, open type, 230V / 2x9V	10.5 V	EN61558-2-6
504527	12	PCB mount Transformer, open type, 230V / 2x12V	14.0 V	EN61558-2-6
504375	12	PCB mount Transformer, open type, 230V / 2x15V	17.5 V	EN61558-2-6
504511	12	PCB mount Transformer, open type, 230V / 2x20V	28.0 V	EN61558-2-6
504537	12	PCB mount Transformer, open type, 230V / 2x24V	7.0 V	EN61558-2-6

Dimensions and fittings:



Power	Overall Size	Weight	Efficiency
[VA]	L x W x H [mm]	[kg]	%
3	39 x 32 x 30	0.14	>67%
6	43 x 36 x 33	0.18	>77%
12	54 x 41 x 45	0.4	>82%