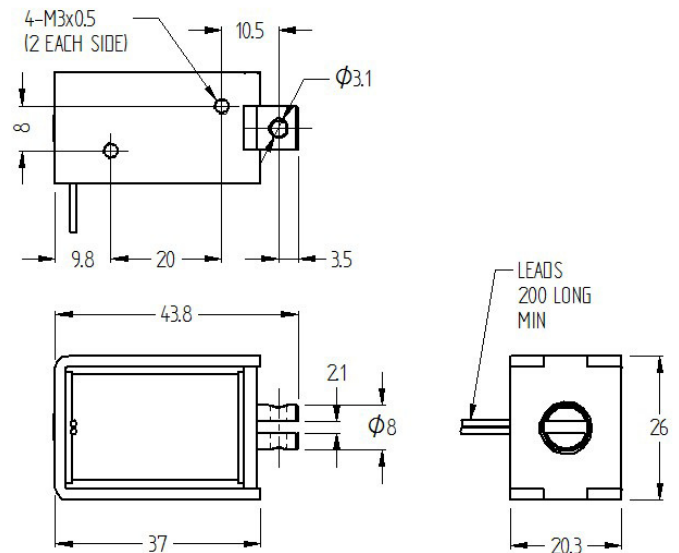
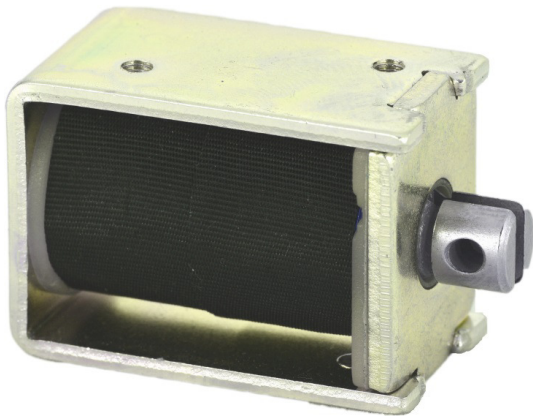


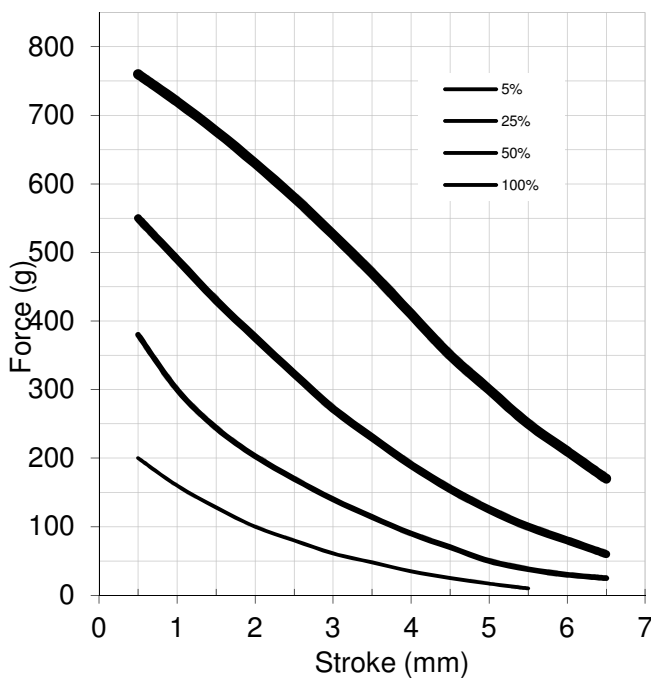
D - Frame Solenoid

SD0837

Dimensions in millimetres



Stroke and Force



- Pull or thrust type
- Flying leads with optional terminals
- Corrosion resistant plated parts
- Optional return spring
- Customised plunger ends and fixing centres
- Optional voltages and duty ratings