



DRYverbox, the IP66 enclosure for your eldoLED LED driver

DRYverbox is an enclosure system that makes eldoLED LED drivers suitable for lighting applications requiring adherence to the IP66 standard. DRYverbox is suitable for a wide range of lighting applications in architectural, commercial and industrial lighting.

DRYverbox can be tailored to suit the requirements and needs of projects requiring additional environmental and mechanical protection. It enables the choice of the correct type and length of cable together with the desired gland and connector options.

Features & benefits

- IP66 certified enclosure with anodised aluminum body, polycarbonate end caps, stainless steel A2 grade Torx fixings and surface mounting feet for screws/bolts fixing
- Features a zinc-plated steel chassis plate that slides into the body from either end into slots
- Recommended glands: M12, M16 or M20



DRYverbox 50/S



DRYverbox 100/S



DRYverbox 100/M

Compatible drivers

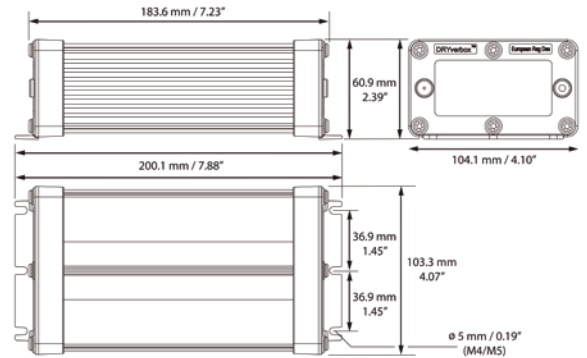
- DRYverbox 50/S: the /S series of all 50W eldoLED drivers
- DRYverbox 100/S: the /S series of all 100W eldoLED drivers
- DRYverbox 100/M: the /M and /A series of all 100W eldoLED drivers

Product offering

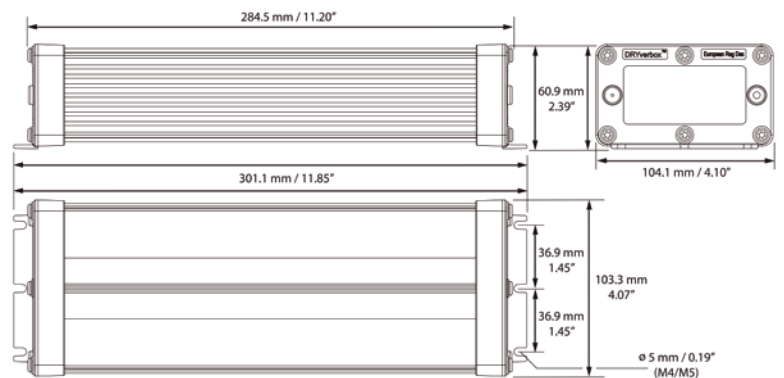
Description	Product	Order no.
DRYverbox for 50W AC square metal	DRYverbox 50/S	DRY050S1
DRYverbox for 100W AC square metal	DRYverbox 100/S	DRY100S1
DRYverbox for 100W AC long metal	DRYverbox 100/M	DRY100M1

Dimensions and weight

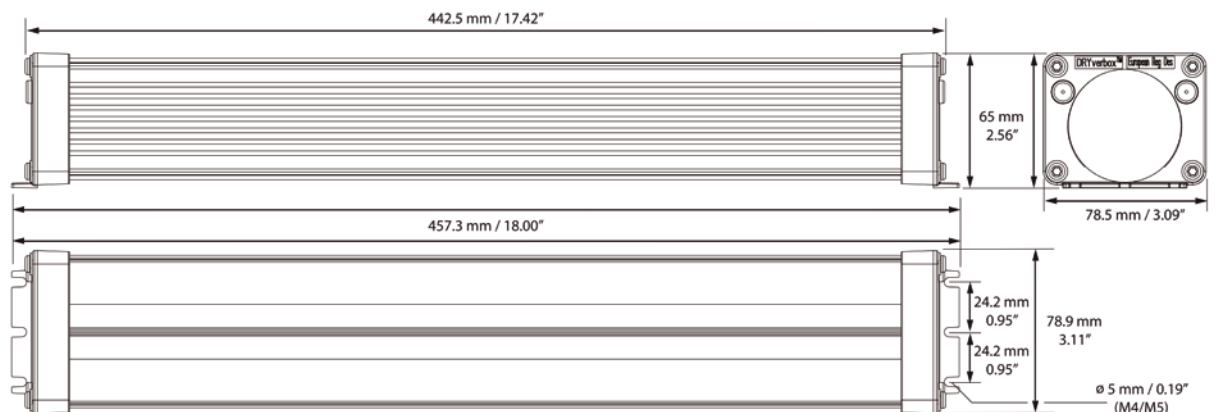
- DRYverbox 50/S
Weight: 540 g / 19.05 oz (without glands/driver)



- DRYverbox 100/S
Weight: 860 g / 30.34 oz (without glands/driver)



- DRYverbox 100/M:
Weight: 830 g / 29.28 oz (without glands/driver)



Europe, Rest of World

eldoLED B.V.
Science Park Eindhoven 5125
NL-5692 ED Son
The Netherlands

North America

eldoLED America
One Lithonia Way
Conyers, GA 30012
USA

E: info@eldoled.com
W: www.eldoled.com

E: info@eldoled.com
W: www.eldoled.com