

Datasheet

# RS Pro DC axial fan, 50x10mm 15.3cu.m/h 5V

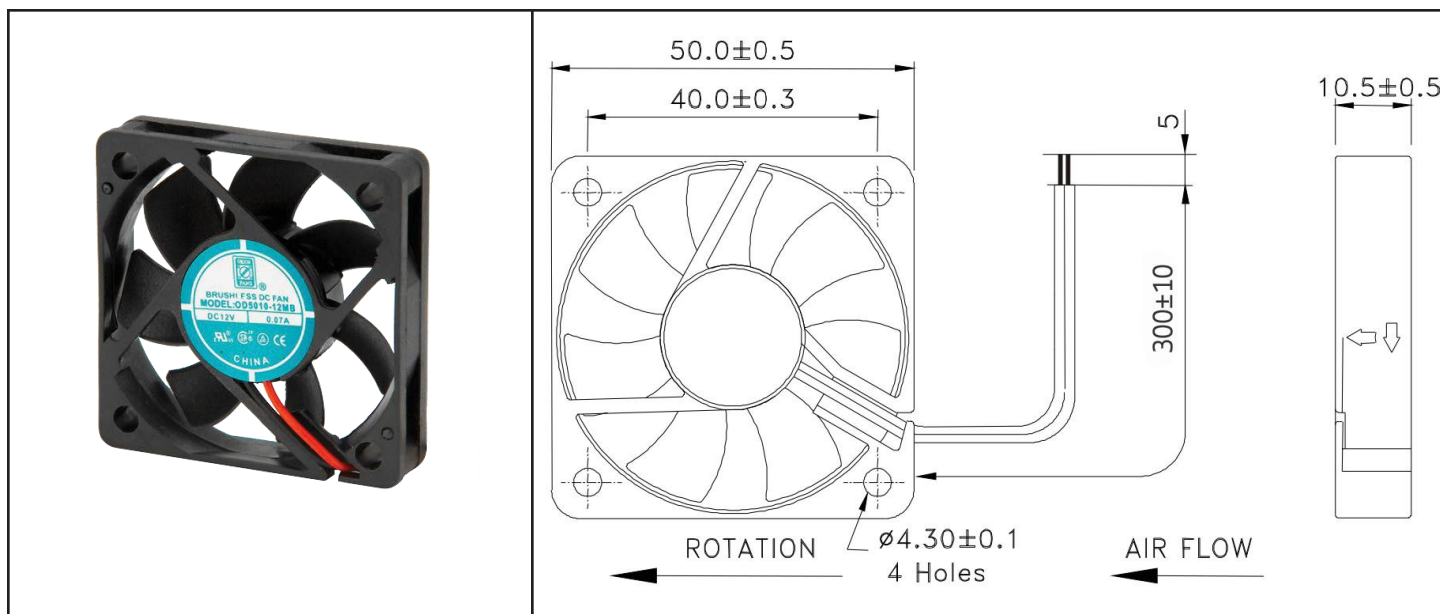
## OD5010 Series

DC Fan - 5V, 12V, 24V  
50 x 10mm (1.97 x .39in)



Model#	Pg#	Voltage	RPM	CFM	Noise Level	Max Static Pressure
OD5010-05H	2	5 VDC	5200	11	28 dB	.12 H <sub>2</sub> O
OD5010-05M	2	5 VDC	4600	10	25 dB	.10 H <sub>2</sub> O
OD5010-05L	2	5 VDC	3900	9	20 dB	.06 H <sub>2</sub> O
OD5010-12H	2	12 VDC	5200	11	28 dB	.12 H <sub>2</sub> O
OD5010-12M	2	12 VDC	4600	10	25 dB	.10 H <sub>2</sub> O
OD5010-12L	2	12 VDC	3900	9	20 dB	.06 H <sub>2</sub> O
OD5010-24H	2	24 VDC	5200	11	28 dB	.12 H <sub>2</sub> O
OD5010-24M	2	24 VDC	4600	10	25 dB	.10 H <sub>2</sub> O
OD5010-24L	2	24 VDC	3900	9	20 dB	.06 H <sub>2</sub> O
OD5010-05MB02A	3	5 VDC	4600	10	25 dB	.10 H <sub>2</sub> O
OD5010-12MB02A	4	12 VDC	4600	10	25 dB	.10 H <sub>2</sub> O

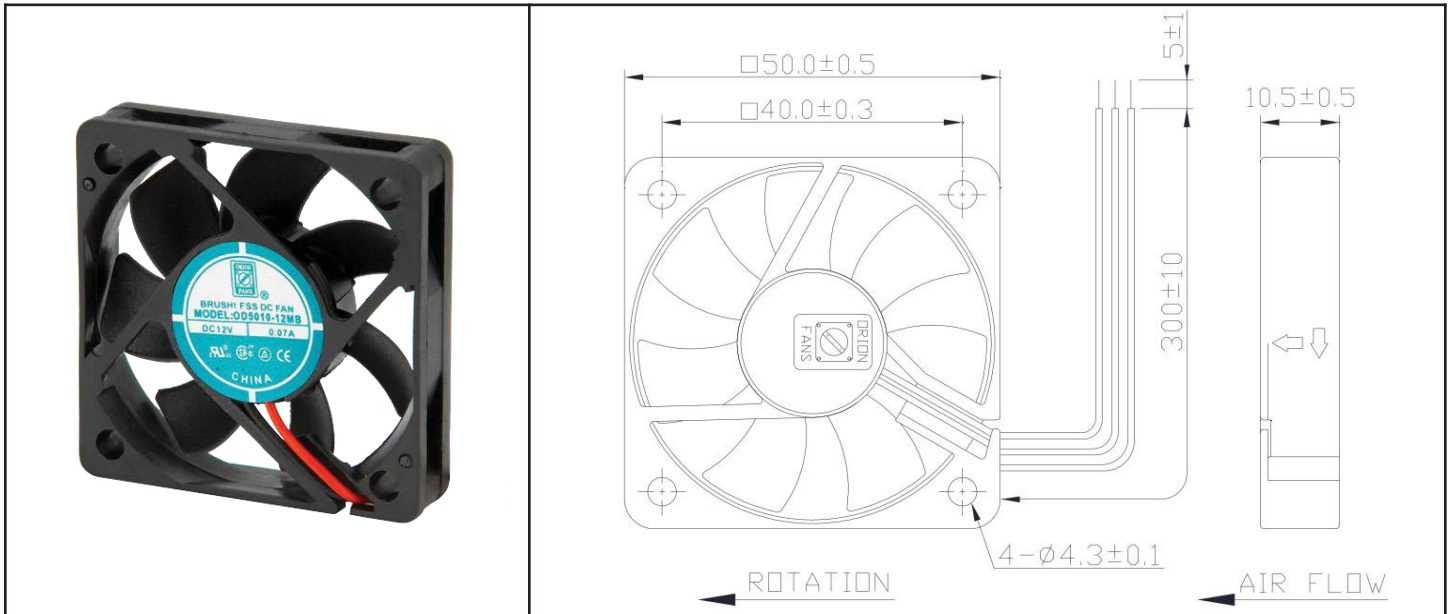
\*\* For some models and part numbers, minimum order quantities may apply.



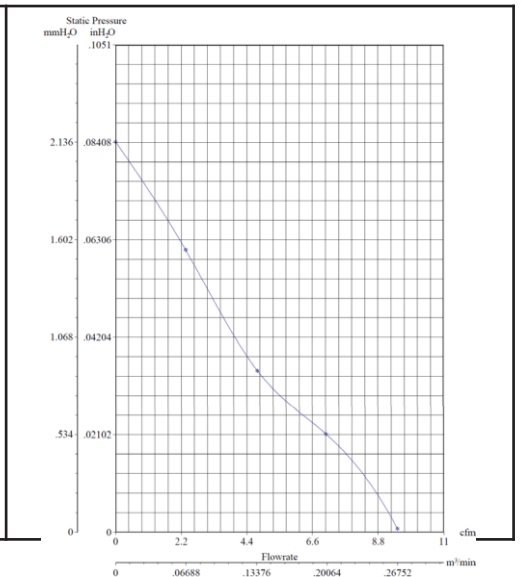
Frame & Impeller	PBT, UL94V-O plastic	<b>Available Options:</b> Tachometer Alarm  <u>Life Expectancy (L10)</u> 60,000 hrs Ball 50,000 hrs Sealed Sleeve 30,000 hrs Sleeve  <u>Operating Temperature</u> -20 ~ 75C	
Connection	2x Lead wires (~290mm) 26AWG		
Motor	Brushless DC, auto restart, polarity protected		
Bearing System	Dual Ball, sleeve, or sealed sleeve		
Insulation Resistance	10M ohm between leadwire and frame (500VDC)		
Dielectric Strength	1 second at 500 VAC, max leakage < 500 MicroAmp		

Model Number	Speed (RPM)	Airflow (CFM)	Noise (dB)	Volts DC	Input Power (Watts)	Amps	Max. Static Pressure (H2O)
OD5010-05H *	5200	11	28	5	1.15	0.23	0.12
OD5010-05M *	4600	10	25	5	0.75	0.15	0.10
OD5010-05L *	3900	9	20	5	0.45	0.10	0.06
OD5010-12H *	5200	11	28	12	1.44	0.12	0.12
OD5010-12M *	4600	10	25	12	1.08	0.09	0.10
OD5010-12L *	3900	9	20	12	0.96	0.08	0.06
OD5010-24H *	5200	11	28	24	1.92	0.08	0.12
OD5010-24M *	4600	10	25	24	1.44	0.06	0.10
OD5010-24L *	3900	9	20	24	1.20	0.05	0.06

\* Indicate "B" for ball bearing, "S" for sleeve bearing, or "SS" for sealed sleeve



Frame & Impeller	PBT, UL94V-0 plastic	<b>Available Options</b> IP55 Other speeds and voltages Tachometer  *Connection: Wire Leads - UL1007 26AWG Red(+), Black (-), Yellow Alarm  Weight: 18 g
Connection	3x Lead wires *	
Motor	Brushless DC, auto restart, polarity protected.	
Bearing System	Dual ball bearing	
Insulation Resistance	Min. 10M at 500VDC	
Dielectric Strength	1 second at 500VAC max leakage 500 microamp	
Temperature Range	-20C ~ +75C	
Storage Temperature	-40C ~ +80C	
Life (L10)	60,000 hours (40C)	

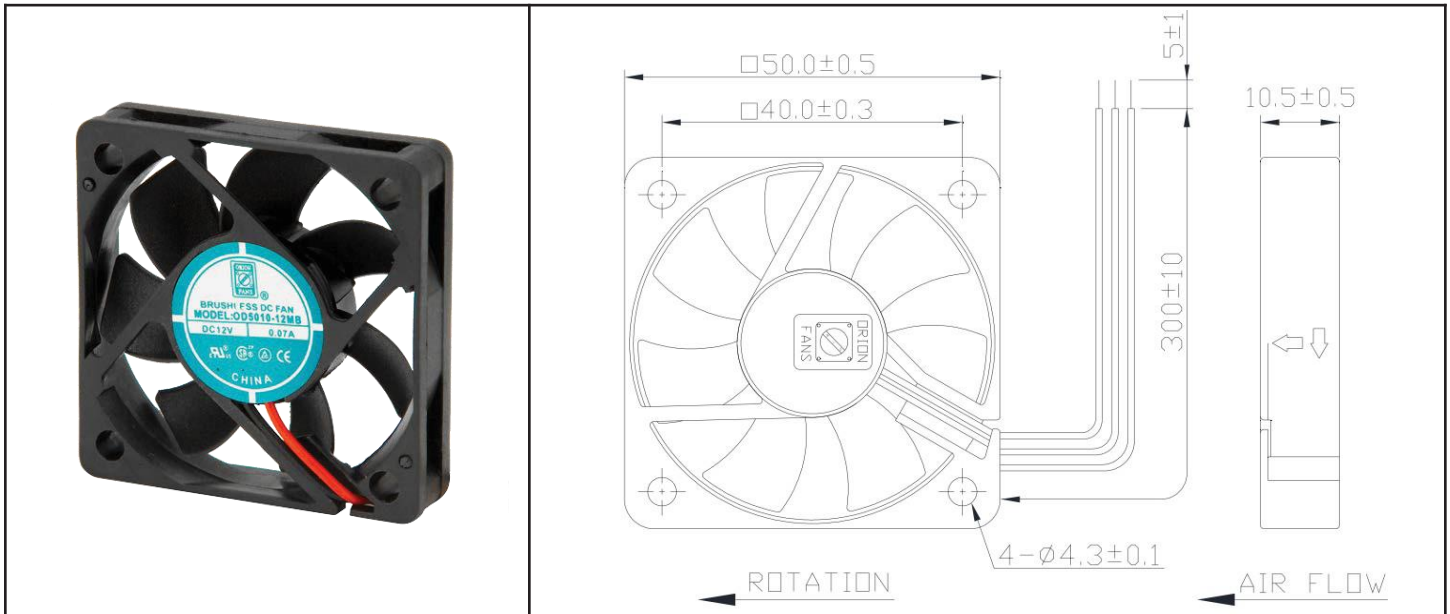


Model Number	OD5010-05MB02A
Part Number	150531231
Nominal Voltage	5 VDC
Voltage Range	4 ~ 5.5 VDC
Nominal Current	.15 A
Rated Power	.75 Watts
Rated Speed (RPM)	4600
Airflow (CFM)	10
Noise Level (dB)	25
Max. Static Pressure	.10 "H <sub>2</sub> O

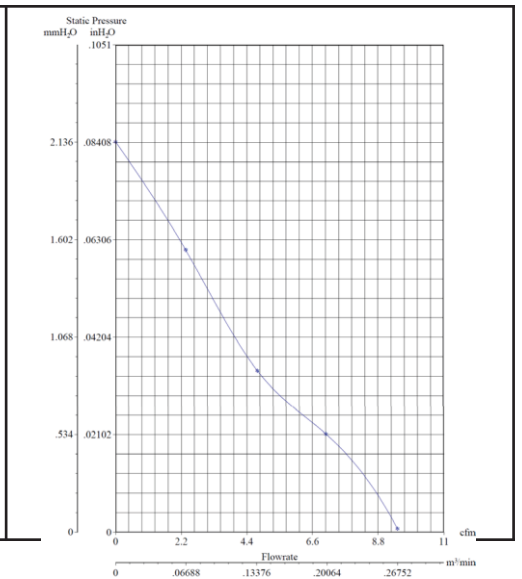
Output of locked signal  
 \*Output type.....Open collector type  
 \*Electrical design suggestion:  
 (External signal function design is decided by customer)

\*Transistor Q1 at "ON" position  
 Collector current.....I<sub>c</sub>=10mA Max  
 Saturation Voltage.....V<sub>ce</sub>=1.0V Max  
 (Between Collector and Emitter at I<sub>c</sub>=10mA)  
 \*Transistor Q1 at "OFF" position  
 Release Voltage.....V<sub>ce</sub>=5.5V Max

\*Output waveform



Frame & Impeller	PBT, UL94V-0 plastic	<b>Available Options</b> IP55 Other speeds and voltages Tachometer  *Connection: Wire Leads - UL1007 26AWG Red(+), Black (-), Yellow Alarm  Weight: 18 g
Connection	3x Lead wires *	
Motor	Brushless DC, auto restart, polarity protected.	
Bearing System	Dual ball bearing	
Insulation Resistance	Min. 10M at 500VDC	
Dielectric Strength	1 second at 500VAC max leakage 500 microamp	
Temperature Range	-20C ~ +75C	
Storage Temperature	-40C ~ +80C	
Life (L10)	60,000 hours (40C)	



Model Number	OD5010-12MB02A	Output of locked signal
Part Number	150131231	*Output type.....Open collector type
Nominal Voltage	12 VDC	<b>Electrical design suggestion:</b>
Voltage Range	9 ~ 13.2 VDC	(External signal function design is decided by customer)
Nominal Current	.09 A	
Rated Power	1.08 Watts	*Transistor Q1 at "ON" position Collector current..... $I_c=5mA$ Max Collector Voltage..... $V_{ce}=1.0V$ Max (Between Collector and Emitter at $I_c=5mA$ )
Rated Speed (RPM)	4600	*Transistor Q1 at "OFF" position Release Voltage..... $V_{ce}=15V$ Max
Airflow (CFM)	10	*Output waveform
Noise Level (dB)	25	
Max. Static Pressure	.10 "H <sub>2</sub> O	